

**IMPORTANT** 

1. READ ALL INSTRUCTIONS.
2. INSTALL IN ACCORDANCE WITH NATIONAL AND LOCAL ELECTRICAL CODE REGULATIONS.
3. THIS PRODUCT IS INTENDED TO BE INSTALLED AND SERVICED BY A QUALIFIED, LICENSED ELECTRICIAN.
4. DO NOT INSTALL IN WET LOCATIONS. FOR DRY AND DAMP USE ONLY.
5. TURN OFF ELECTRICAL POWER BEFORE INSTALLING OR SERVICING FIXTURE IN ANY WAY.
6. TO REDUCE THE RISK OF FIRE AND OVERHEATING, MAKE SURE ALL CONNECTIONS ARE TIGHT.
7. UNDER NO CIRCUMSTANCES CAN THE LIGHTING FIXTURE BE COVERED WITH HEAT INSULATION GASKET OR SIMILAR MATERIALS.
8. THE MAXIMUM CONNECTION OF EACH INPUT LINE IS UP TO 100' IN 277AC, 40' IN 120AC.

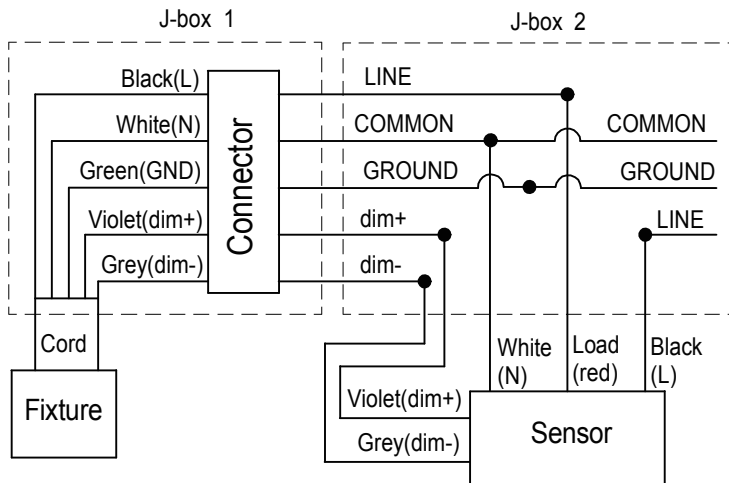
**SHOCK HAZARD** 

MAY RESULT IN SERIOUS INJURY OR DEATH.  
TURN POWER OFF AT CIRCUIT BREAKER PRIOR TO INSTALLATION OR SERVICING.

**WIRING DIAGRAM**

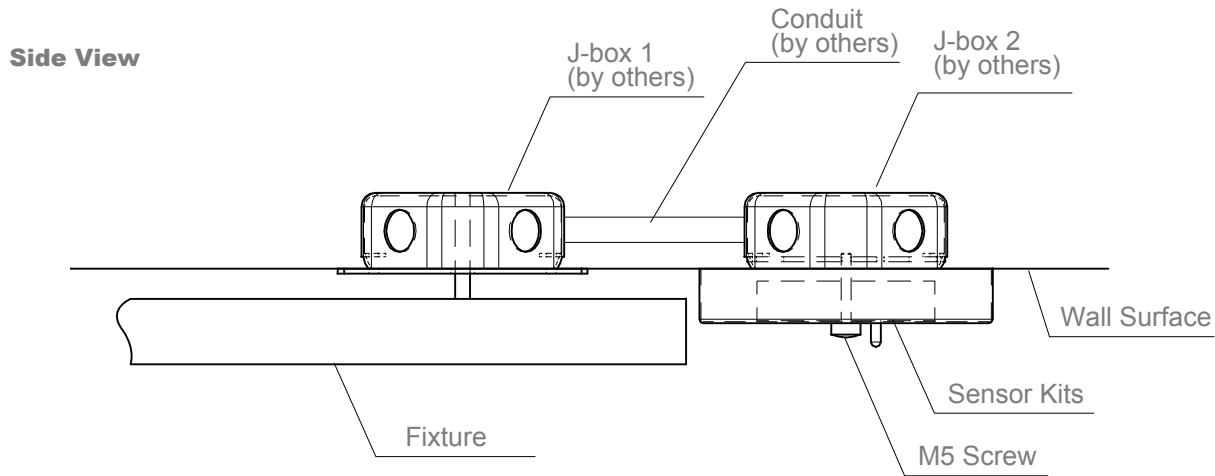
Universal Voltage permits operation at 120VAC thru 277VAC, 50 or 60 Hz.

- a. Connect the black luminaire Line lead to the sensor Line lead.
- b. Connect the white luminaire neutral lead to the sensor neutral lead.
- c. Connect the green or green/yellow ground lead to the sensor green supply lead.
- a. Connect the violet dimming positive lead to the sensor dimming positive lead.
- b. Connect the grey dimming negative lead to the sensor dimming negative lead.



**INSTALLATION**

1. Feed the Sensor Kits wires into J-box 2 through the center of bracket.
2. Secure the Sensor Kits to J-box 2 by the Bracket, Screws A and M5 Screw.
3. Connect the wires from fixture and Sensor Kits based on the wiring diagram in any one desired J-box.



**Front View**

