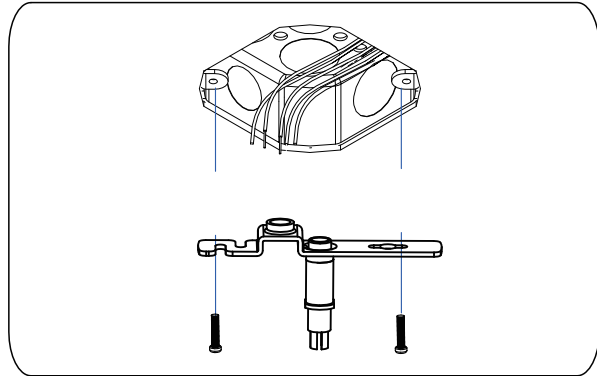
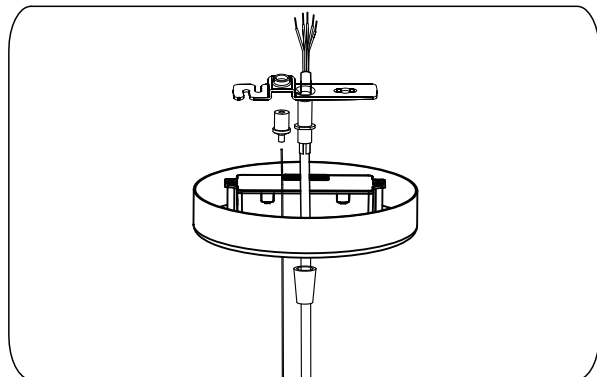


1. Align the holes on the bracket and screws on the J-box, and fix the bracket on the J-box.



2. Attach the hanging cable and suspension cable by pushing them through the holes on the canopy, and fix the suspension cable of the attachment point. Then Connect AC wires and dimming wires.



3. Put the cover against the ceiling, then screw the cap into base clockwise.

