

SUITABLE FOR MODEL**SAFETY INSTRUCTION:**

READ CAREFULLY BEFORE INSTALLING FIXTURE. PLEASE KEEP THIS MANUAL FOR FUTURE USING. Fixtures must be wired in accordance with the National Electrical Code and all applicable local codes. Proper grounding is required for safety.

THIS PRODUCT MUST BE INSTALLED IN ACCORDANCE WITH THE APPLICATION CODE BY A PERSON FAMILIAR WITH THE CONSTRUCTION AND OPERATION OF THE PRODUCT AND THE HAZARDS INVOLVED.

MAKE CERTAIN POWER OFF BEFORE INSTALLING OR MAINTAINING FIXTURE.

CHECK THAT VOLTAGE IS COMPATIBLE WITH FIXTURE DRIVER, USE APPROVED CONNECTORS FOR ALL ELECTRICAL CONNECTIONS.

WARNING:**RISK OF ELECTRICALSHOCK**

- Turn off electrical power at fuse or circuit breaker box before wiring fixture to the power supply.
- Turn off the power when you perform any maintenance.
- Verify that supply voltage is correct by comparing it with the luminaire label information.
- Make all electrical and grounded connections in accordance with the National Electrical Code and any applicable local code requirements.
- All wiring connections should be capped with UL approved wire connectors.

CAUTION:**RISK OF INJURY**

- Wear gloves and safety glasses at all times when removing luminaire from carton, installing, servicing or performing maintenance.
- Avoid direct eye exposure to the light source while it is on.
- Account for small parts and destroy packing material, as these may be hazardous to children.

CAUTION:**RISK OF FIRE**

- Keep combustible and other materials that can burn away from luminaire and lamp/lens.
- MIN 90°C SUPPLY CONDUCTORS.

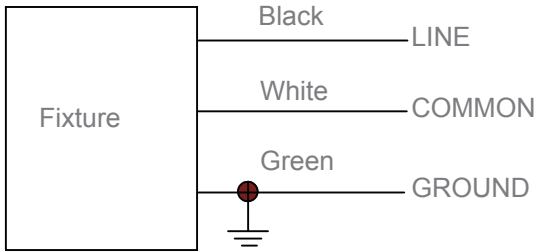
WIRE CONNECTION

Universal voltage driver permits operation at 120V thru 277V, 347V, 50 or 60Hz

- a. Connect the voltage supply Line to our AC-L lead
- b. Connect the voltage Neutral supply to our AC-N lead
- c. Connect the green/yellow ground lead to the supply ground lead

120-277V / 347V

ACCESSORY PACK



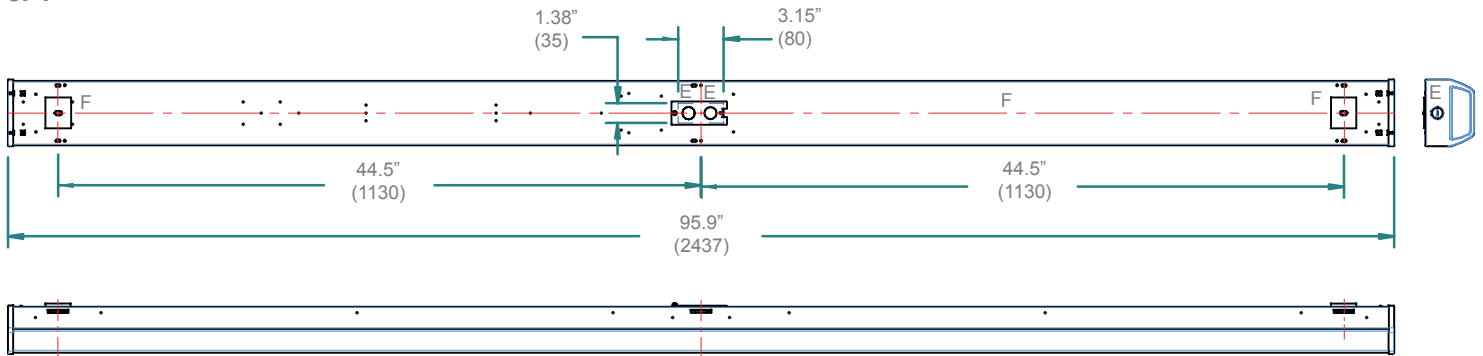
NUT X 3

INSTALLATION

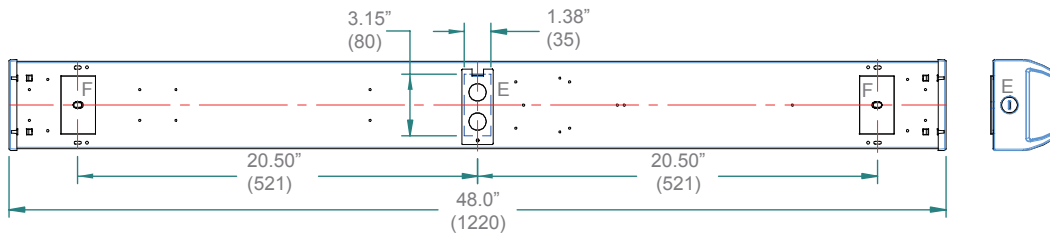
PREPARATION

Locate the mounting points based on the Dimension Drawing.

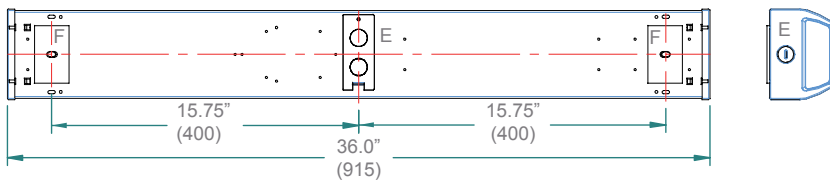
8FT



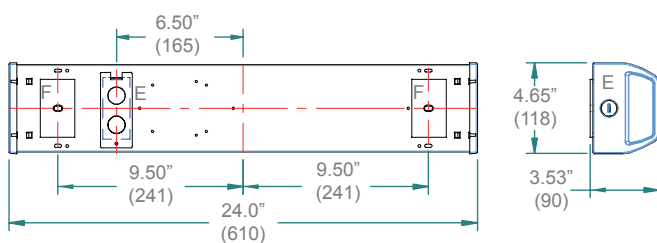
4FT



3FT



2FT

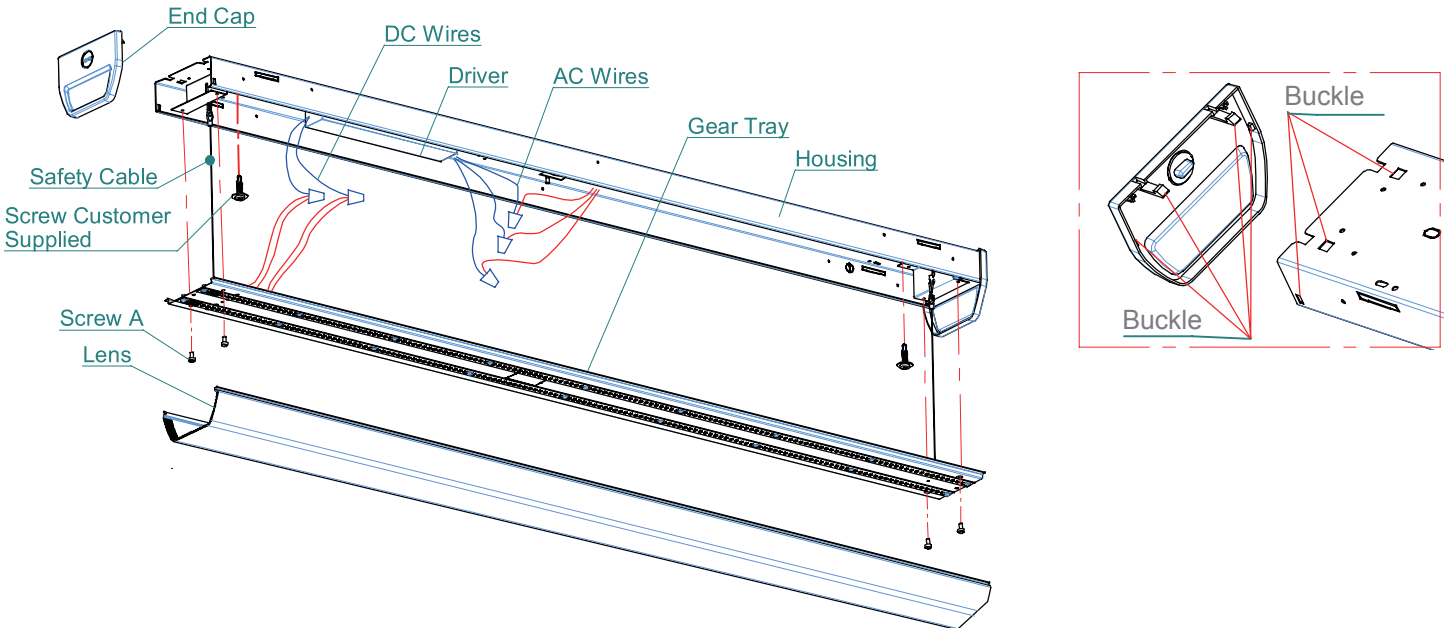


E=7/8"(22.5) K.O.
F=5/16x1/2"(8x12.5)K.O.

CEILING AND WALL SURFACE MOUNT

1. Gently squeeze the housing to loosen the buckle between End Cap and Housing. Remove one End Cap and Lens.
2. Remove Screw A (4) and the Gear Tray. Take care of the LED in the process of operation.
3. Depending on structural conditions, secure luminaire to mounting surface by customer supplied anchor screws, toggle bolts or suitable fasteners into Keyhole Slots.
4. Secure Gear Tray to luminaire base by locking the removed Screw A (4). Reattach Lens and the End Cap to luminaire.
5. Connect wires as shown in wiring diagram with wire nuts.

Notes: Make sure the safety ropes always are connected between luminaire base and Gear Tray.



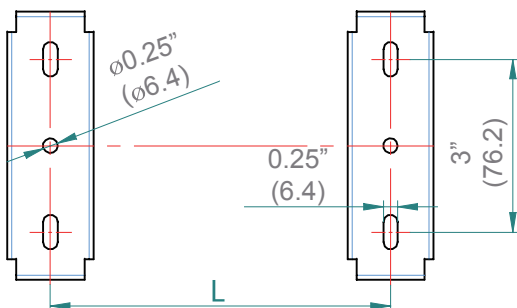
CEILING AND WALL QUICK SURFACE MOUNT

1. Drill holes according to following drill pattern.
2. Fix the Hanger Brackets (2) to ceiling or wall by appropriate fastener (customer supplied).
3. Push Side Knock Out Cover (4) inwards to open the side Knock Out Slots (4).
4. Hang the fixture to the brackets in two Knock Out Slots. Connect wires as shown in wiring diagram with wire nuts.
5. Push the luminaire up into Hanger Brackets so that it snaps into Knock Out Slots. Fasten the Hanger Brackets with supplied Bolts (2) and Nuts (2).

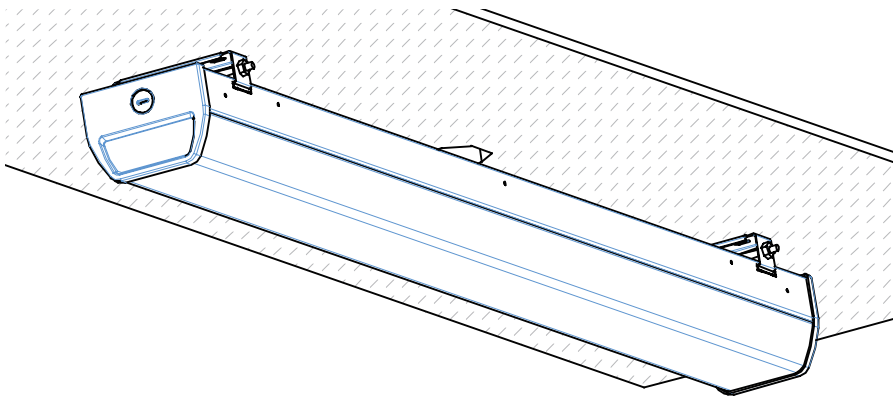
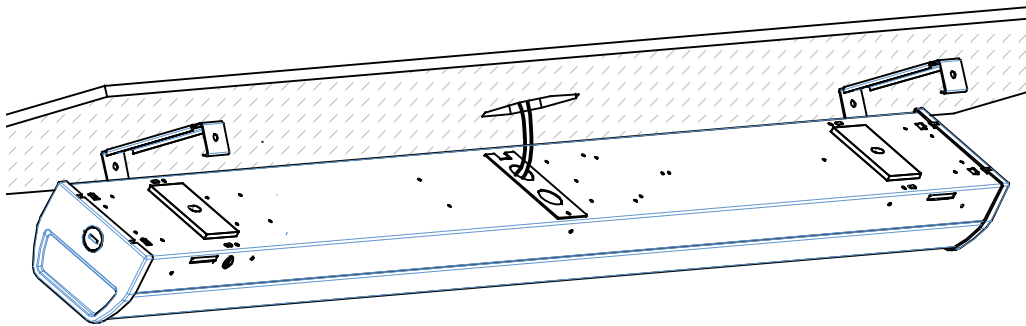
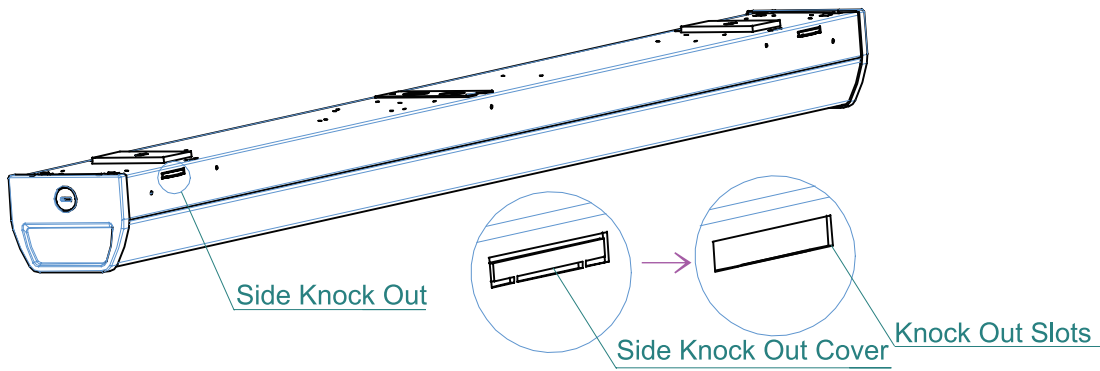
Notes: Hanger bracket need to be bought separatel

Drill Pattern

2ft/3ft/4ft/8ft

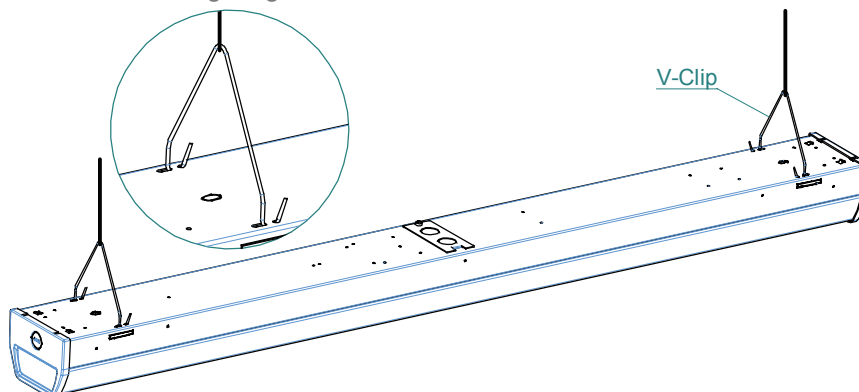


SIZE	L
2FT	19.0" (482.6mm)
3FT	31.5" (800.0mm)
4FT	41.0" (1041.4mm)
8FT	89.0" (2260.6mm)



CHAIN MOUNT

1. Feed V-Clips (order separately) into holes of the luminaire base.
2. Attach customer supplied Chain to the V-Clips and mounting surface. Make sure the luminaire is balanced.
3. Connect wires as shown in wiring diagram with wire nuts.



MICROWAVE DIMMING SENSOR SETTING (120-347V)

Sensor data can be precisely set for each specific application by a remote controller which need to be bought separately.

Detection area

Detection area can be reduced by selecting the combination on the remote controller to fit precisely each application.

Optional Setting: 100%/75%/50%/25%

Default Setting: 100%

Hold time

Refers to the time period the lamp remains at 100% illumination after no motion detected.

Optional Setting: 5S/30S/1min/3min/5min/10min/20min/30min

Default Setting: 20min

Stand-by period

Refers to the time period the lamp remains at a low light level before it completely switches off in the long absence of people. When set to “+∞” mode, the low light is maintained until motion is detected.

Optional Setting: 0S/10S/1min/3min/5min/10min/30min/+∞

Default Setting: +∞

Notes: If just need ON/OFF function, please set the stand-by period in “0S” mode by the remote controller.

Daylight sensor

The sensor can be set to only allow the lamp to illuminate below a defined ambient brightness threshold. When set to Disable mode, the daylight sensor will switch on the lamp when motion is detected regardless of ambient light level. 50lux, 30lux: twilight operation, 10lux, 5lux: darkness operation only. Note that daylight sensor is active only when lamp totally switches off.

Optional Setting: 5lux/15lux/30lux/50lux/100lux/150lux/Disable

Default Setting: Disable

Stand-by dimming level

The low light level you would like to have after the hold time in the long absence of people.

Optional Setting: 10%/20%/30%/50%

Default Setting: 50%