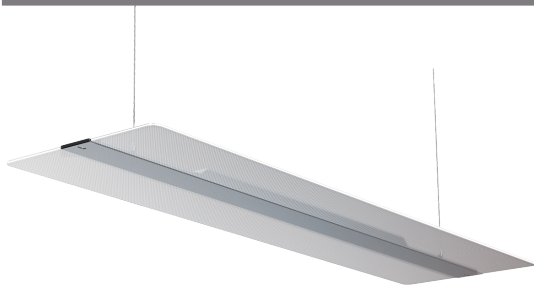


SUITABLE FOR MODEL



SAFETY INSTRUCTION



READ CAREFULLY BEFORE INSTALLING FIXTURE. PLEASE KEEP THIS MANUAL FOR FUTURE USE. Fixtures must be wired in accordance with the National Electrical Code and all applicable local codes. Proper grounding is required for safety.

THIS PRODUCT MUST BE INSTALLED IN ACCORDANCE WITH THE APPLICATION CODE BY A PERSON FAMILIAR WITH THE CONSTRUCTION AND OPERATION OF THE PRODUCT AND THE HAZARDS INVOLVED.

MAKE CERTAIN POWER IS OFF BEFORE INSTALLING OR MAINTAINING FIXTURE.

CHECK THAT VOLTAGE IS COMPATIBLE WITH FIXTURE DRIVER. USE APPROVED CONNECTORS FOR ALL ELECTRICAL CONNECTIONS.

MAINTENANCE CAUTION



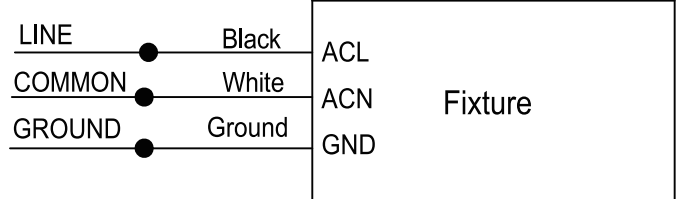
1. Review the wire connection before beginning, and make sure fixture is grounded properly.
2. For lighting controls, follow control instructions carefully.
3. Turn power off and wait for fixture to cool before performing maintenance.
4. Maintenance must be done by professionals.

WIRE CONNECTION

Voltage permits operation at 120-277VAC, 50 or 60 Hz.

Make the following Electrical Connection:

- a). Connect the voltage supply line to ACL in Black.
- b). Connect the voltage supply Neutral to ACN in White.
- c). Connect ground lead to the supply ground lead.



INSTALLATION

WARNING

Risk of injury or damage. Make certain power is OFF before installing or maintaining fixture.

ACCESSORY PACK



Wire Nut X 3



Canopy X 2



Suspension Cable X 2



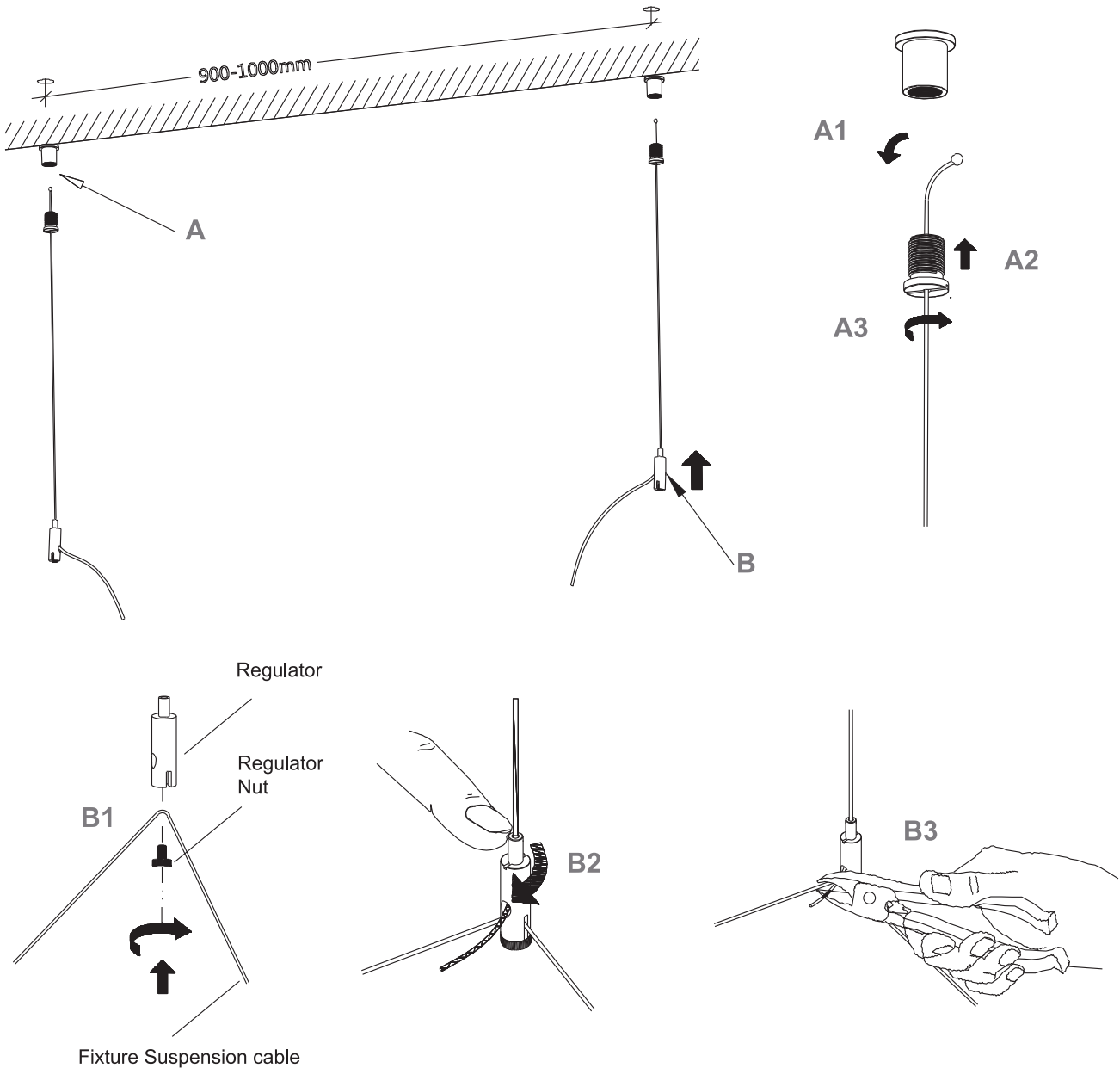
Expansion Screw X 2

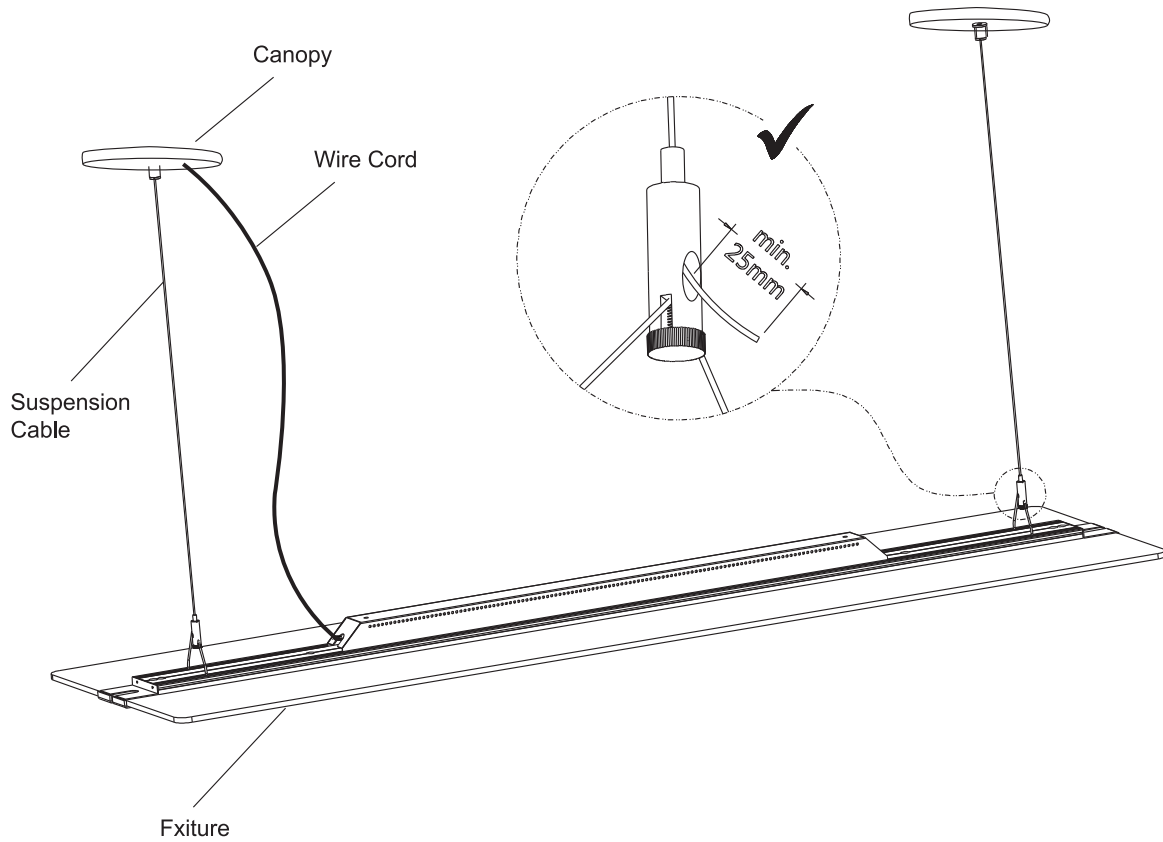


Glove X 2

INSTALLATION STEPS

1. Install the Suspension Cables and Canopies to the ceiling with supplied Expansion Screws or other fastener (by others). See Figure from A1 to A3.
 2. Hook the fixture to the Regulator by Regulator Nut. Adjust the cable length by pressing the Regulator. Cut the unnecessary cable with a pair of pliers (by others). See Figure from B1 to B3.
 3. Feed the Wire Cord into a Junction Box in the ceiling through the hole on Canopy.
 4. Make wire connections according to the wire diagram.
 5. Remove the protective bag from the fixture before using.
- * Please wear gloves during installation.





Ref#: 20210819