

**SUITABLE FOR MODEL**



**SAFETY INSTRUCTION**



**READ CAREFULLY BEFORE INSTALLING FIXTURE. PLEASE KEEP THIS MANUAL FOR FUTURE USE.**

Fixtures must be wired in accordance with the National Electrical Code and all applicable local codes. Proper grounding is required for safety.

**THIS PRODUCT MUST BE INSTALLED IN ACCORDANCE WITH THE APPLICATION CODE BY A PERSON FAMILIAR WITH THE CONSTRUCTION AND OPERATION OF THE PRODUCT AND THE HAZARDS INVOLVED.**

**MAKE CERTAIN POWER IS OFF BEFORE INSTALLING OR MAINTAINING FIXTURE.**

**CHECK THAT VOLTAGE IS COMPATIBLE WITH FIXTURE DRIVER. USE APPROVED CONNECTORS FOR ALL ELECTRICAL CONNECTIONS.**

**MAINTENANCE CAUTION**



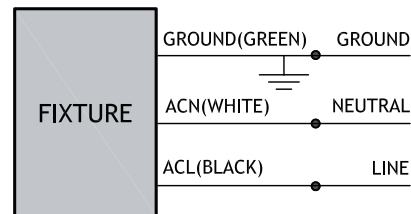
1. Review the wire connection before beginning, and make sure fixture is grounded properly.
2. For lighting controls, follow control instructions carefully.
3. Turn power off and wait for fixture to cool before performing maintenance.
4. Maintenance must be done by professionals.

**WIRE CONNECTION**

Universal Voltage permits operation at 120VAC, 50 or 60 Hz.

**Electrical Connection for 120V**

- a). Connect the voltage supply Line to our ACL in Black.
- b). Connect the voltage supply Common to ACN in White.
- c). Connect Green/Yellow ground lead to the supply ground lead.



**INSTALLATION**

**WARNING**

**Risk of injury or damage. Make certain power is OFF before installing or maintaining fixture.**

**ACCESSORY PACK**



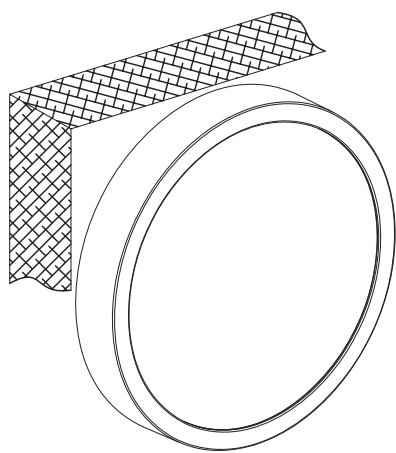
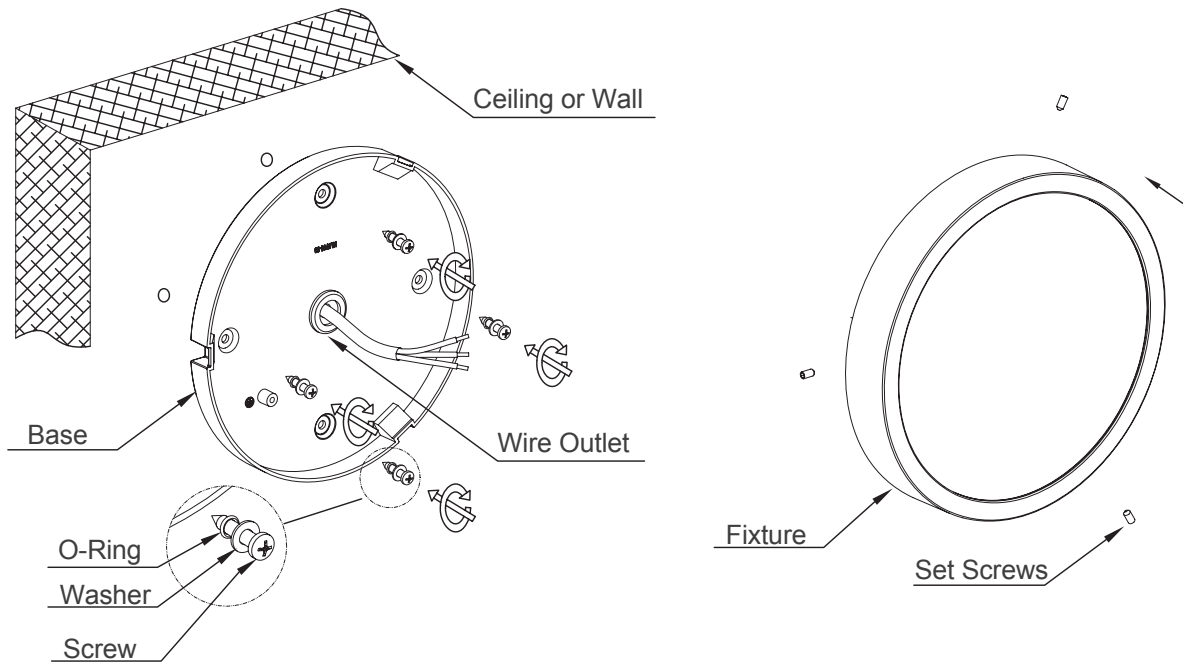
WIRE NUT x 3 (120V)



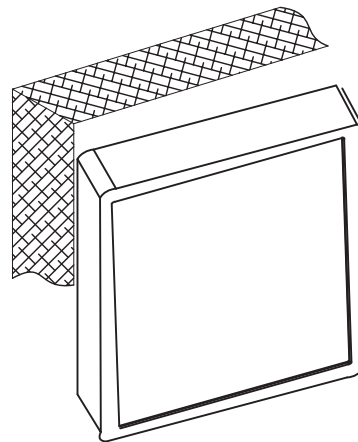
HEX WRENCH X 1

**INSTALLATION STEPS**

1. Open the fixture by removing the Set Screws with Hex Wrench (3 screws for round and 4 screws for square).
2. Drill Mounting Holes (4) on the Ceiling or Wall according the the Mounting Holes (4) on the Base.
3. Secure Base to the Ceiling or Wall with Screws, Washer and O-Ring (by others). O-Ring must be under washer. No reverse position. Make sure the Supply Lead is got through the Wire Outlet in the middle of Base.
4. Connect wires as shown in wiring diagram with wire nuts.
5. Secure the Fixture back to the Base with removed Set Screws. Make certain that no wires are pinched between Fixture and Base.
6. For outdoor use, please seal around the top and side perimeter between the fixture and the wall surface with weather resistant caulking (by others).



Round Shape



Square Shape