

**SUITABLE FOR MODEL**



VPTB



VPTP

**SAFETY INSTRUCTION**



**READ CAREFULLY BEFORE INSTALLING FIXTURE. PLEASE KEEP THIS MANUAL FOR FUTURE USE.**

Fixtures must be wired in accordance with the National Electrical Code and all applicable local codes. Proper grounding is required for safety.

**THIS PRODUCT MUST BE INSTALLED IN ACCORDANCE WITH THE APPLICATION CODE BY A PERSON FAMILIAR WITH THE CONSTRUCTION AND OPERATION OF THE PRODUCT AND THE HAZARDS INVOLVED. MAKE CERTAIN POWER IS OFF BEFORE INSTALLING OR MAINTAINING FIXTURE.**

**CHECK THAT VOLTAGE IS COMPATIBLE WITH FIXTURE DRIVER. USE APPROVED CONNECTORS FOR ALL ELECTRICAL CONNECTIONS.**

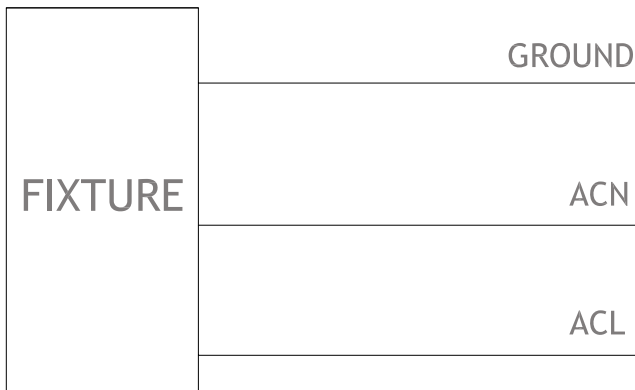
**MAINTENANCE CAUTION**



1. Review the wire connection before beginning, and make sure fixture is grounded properly.
2. For lighting controls, follow control instructions carefully.
3. Turn power off and wait for fixture to cool before performing maintenance.
4. Maintenance must be done by professionals.

**WIRE CONNECTION**

Universal voltage driver permits operation at 120VAC thru 277VAC, 50 or 60 Hz.



**INSTALLATION**

**ACCESSORY PACK**



WIRE NUT X 3

**ACCESSORY PACK FOR PHOTOCELL**



PHOTOCELL X 1

**ACCESSORY PACK FOR 7 PIN**



SHORTING CAP X 1

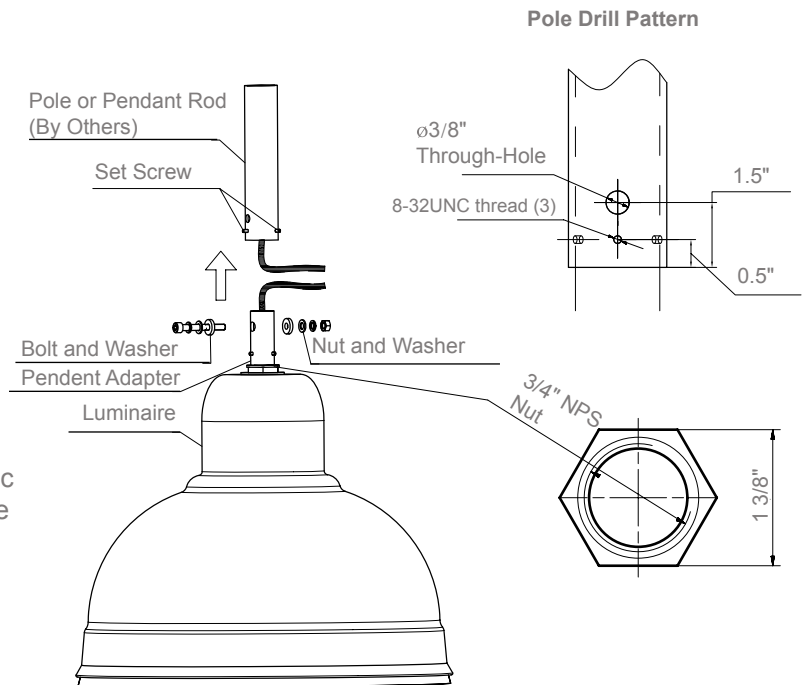
**Note:** If fixture is furnished with photocell receptacle, please make sure install the photocell or shorting cap

**WARNING**

- 1. Risk of injury or damage. Make certain power is OFF before installing or maintaining fixture.**
- 2. If fixture is furnished with photocell receptacle, install the photocell or shorting cap.**

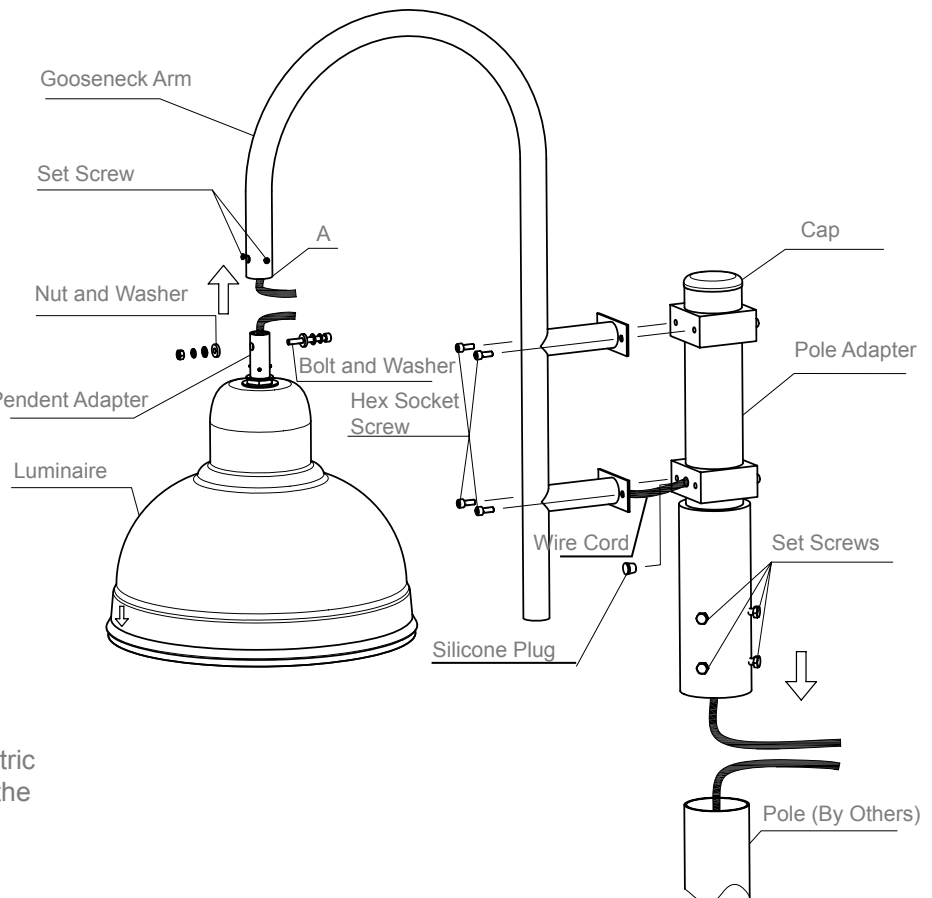
**PENDENT MOUNT**

1. Remove the Bolt, Nut and Washers on the Pendant Adapter for later use.
2. Drill a  $\phi 3/8"$  Through-Hole and three 8-32 UNC threads on average positions according to the Pole Drill Pattern.
3. Make wire connection with supplied wire nuts and make waterproof treatment by others in the pole or pod per "Electrical Connections".
4. Fasten the Luminaire to the Pole or Pod with the Removed Bolt, Nut and Washers.
5. Loosen the 3/4" NPS nut to rotate the luminaire to the right direction. For Asymmetric distributions, make sure the arrow label on the Luminaire faces to the road.
6. Tighten all set screws (3).



**SINGLE GOOSENECK ARM MOUNT (SGA4)**

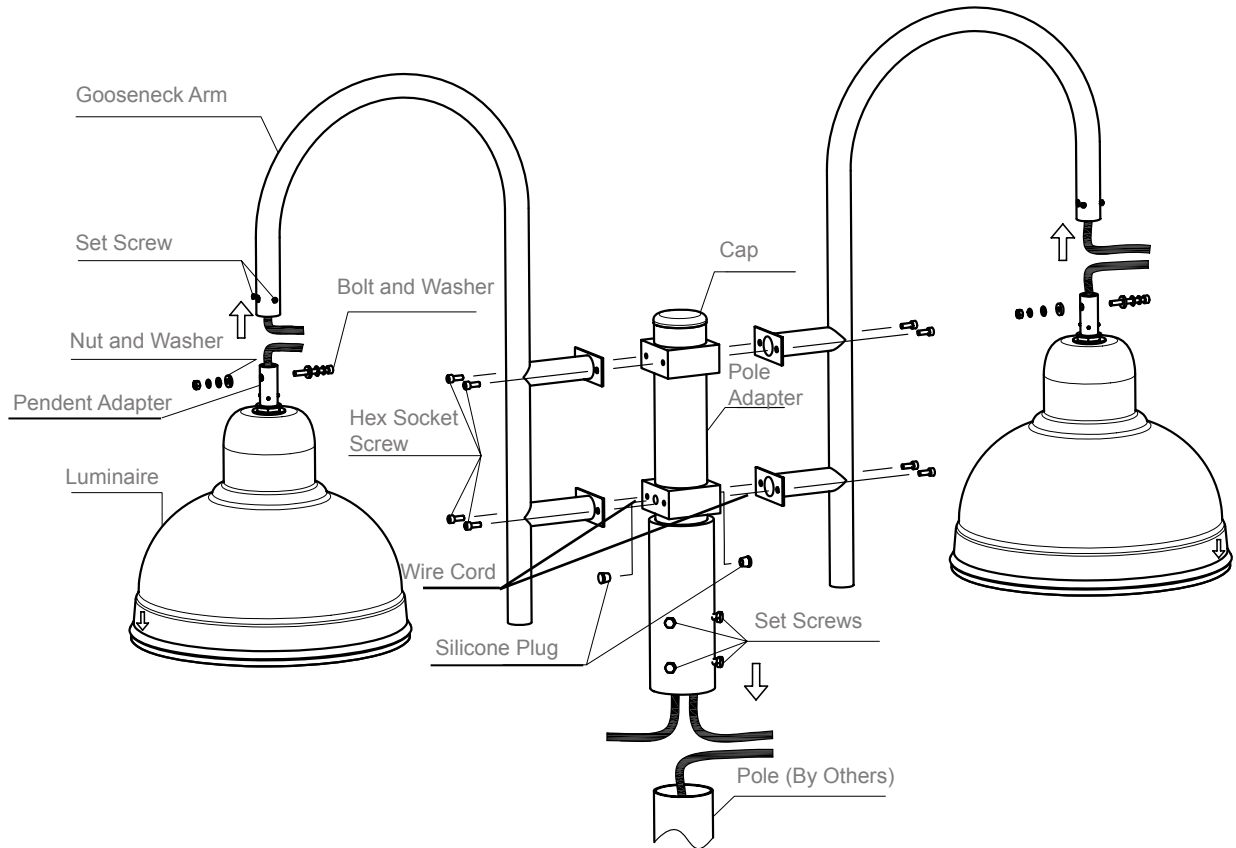
1. Remove the Bolt, Nut and Washers on the Pendant Adapter for later use.
2. Remove the Silicone Plug. Feed the wire cord from Gooseneck Arm into the Pole Adapter.
3. Fasten the Gooseneck Arm to the Pole Adapter with Hex Socket Screws (4).
4. Connect the wires from Gooseneck Arm with the supply lead and make waterproof treatment by others per "Electrical Connections".
5. Push all the connected wires into the pole. Slip the Pole Adapter over the pole with diameter of 4".
6. Connect the wires from Gooseneck Arm and Luminaire and make waterproof treatment by others in the Gooseneck Arm per "Electrical Connections". Push all these wires into the Arm.
7. Fasten the Luminaire to the Gooseneck Arm with the Removed Bolt, Nut and Washers.
8. Loosen the 3/4" NPS nut to rotate the luminaire to the right direction. For Asymmetric distributions, make sure the arrow label on the Luminaire faces to the road.
9. Tighten all set screws (3).



**TWIN GOOSENECK ARM MOUNT (TGA4)**

Please refer to the installation steps of Single Gooseneck Arm Mount.

**Attentions:** Please refer to the Wire Diagram to connect the the following wires from two Gooseneck Arm and the Supply lead.



**Wire Diagram**

