

SUITABLE FOR MODEL



SAFETY INSTRUCTION



READ CAREFULLY BEFORE INSTALLING FIXTURE. PLEASE KEEP THIS MANUAL FOR FUTURE USE. Fixtures must be wired in accordance with the National Electrical Code and all applicable local codes. Proper grounding is required for safety.

THIS PRODUCT MUST BE INSTALLED IN ACCORDANCE WITH THE APPLICATION CODE BY A PERSON FAMILIAR WITH THE CONSTRUCTION AND OPERATION OF THE PRODUCT AND THE HAZARDS INVOLVED.

MAKE CERTAIN POWER IS OFF BEFORE INSTALLING OR MAINTAINING FIXTURE.

CHECK THAT VOLTAGE IS COMPATIBLE WITH FIXTURE DRIVER. USE APPROVED CONNECTORS FOR ALL ELECTRICAL CONNECTIONS.

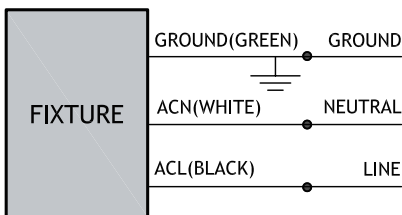
MAINTENANCE CAUTION



1. Review the wire connection before beginning, and make sure fixture is grounded properly.
2. For lighting controls, follow control instructions carefully.
3. Turn power off and wait for fixture to cool before performing maintenance.
4. Maintenance must be done by professionals.

WIRE CONNECTION

Universal Voltage permits operation at 120VAC thru 277VAC or 347VAC or 480VAC, 50 or 60 Hz.



Make the following Electrical Connection:

- a). Connect the voltage supply line to ACL in Black.
- b). Connect the voltage supply Neutral to ACN in White.
- c). Connect Green ground lead to the supply ground lead.

INSTALLATION

ACCESSORY PACK



WIRE NUT x 3



SCREW&WASHER x 4



NUT x 4

ACCESSORY PACK FOR PHOTOCELL



PHOTOCELL X 1

ACCESSORY PACK FOR 7 PIN



SHORTING CAP X 1

Note: If fixture is furnished with photocell receptacle, please make sure install the photocell or shorting cap

WARNING

1. Risk of injury or damage. Make certain power is OFF before installing or maintaining fixture.
2. If fixture is furnished with photocell receptacle, install the photocell or shorting cap.

POLE MOUNTING

This luminaire is for mounting on a 3" (76mm) O.D pole max.

1. Take out the fixture (Upper and Bottom parts) and Accessories from the Carton. See Figure 1.
2. Attach the Upper part to the Bottom part and secure them with supplied Screws and Washers(4). See Figure 2.
3. Pull the fixture wire through Wire Access Hole and Waterproof Connector. Then tighten the Waterproof Connector Nut. See Figure 2.
4. Make the wiring connections with supplied Wire Nut (3) and knot the wires for strain relief.
5. Slip the fixture over a pole or tenon. Then secure the fixture with Set Screw (4) and Nut (4). See Figure2.

Note: Please pay attention to the caution label nearby the LED module for Type II, III and IV distributions. Label face to the road direction.

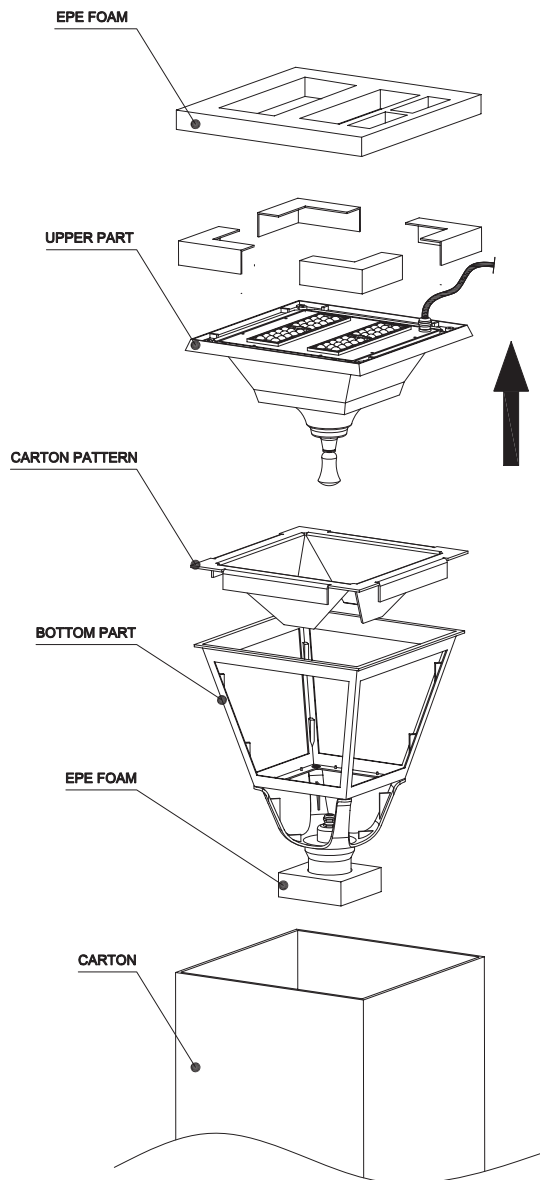


Figure 1

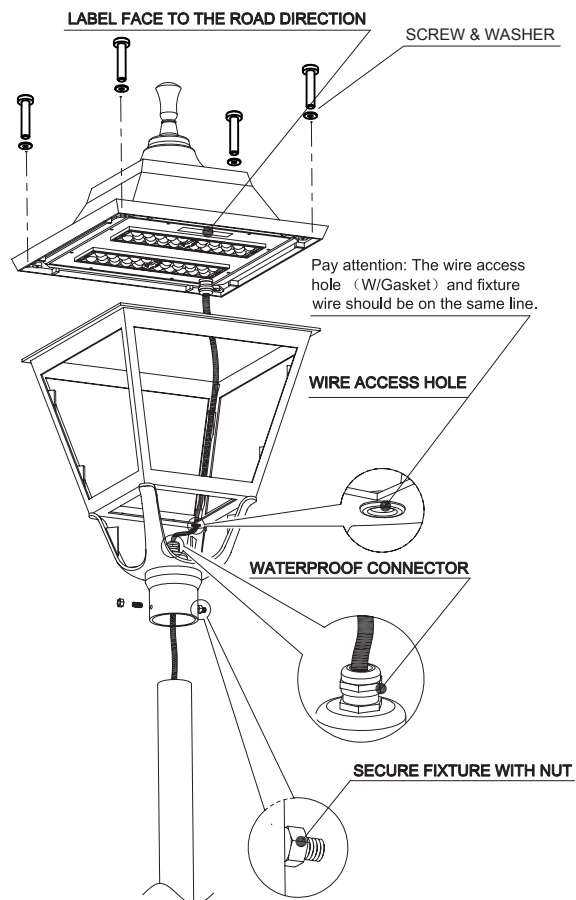


Figure 2