

SUITABLE FOR MODEL



SAFETY INSTRUCTION



READ CAREFULLY BEFORE INSTALLING FIXTURE. PLEASE KEEP THIS MANUAL FOR FUTURE USE.

Fixtures must be wired in accordance with the National Electrical Code and all applicable local codes. Proper grounding is required for safety.

THIS PRODUCT MUST BE INSTALLED IN ACCORDANCE WITH THE APPLICATION CODE BY A PERSON FAMILIAR WITH THE CONSTRUCTION AND OPERATION OF THE PRODUCT AND THE HAZARDS INVOLVED.

MAKE CERTAIN POWER IS OFF BEFORE INSTALLING OR MAINTAINING FIXTURE.

CHECK THAT VOLTAGE IS COMPATIBLE WITH FIXTURE DRIVER. USE APPROVED CONNECTORS FOR ALL ELECTRICAL CONNECTIONS.

MAINTENANCE CAUTION



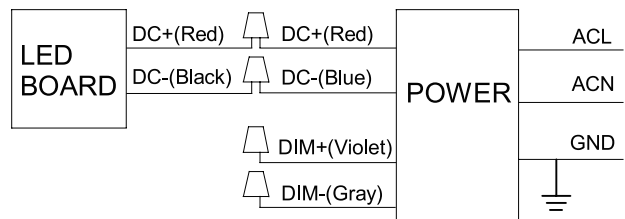
1. Review the wire connection before beginning, and make sure fixture is grounded properly.
2. For lighting controls, follow control instructions carefully.
3. Turn power off and wait for fixture to cool before performing maintenance.
4. Maintenance must be done by professionals.

WIRE CONNECTION

Universal Voltage permits operation at 120VAC thru 277VAC or 347VAC or 480VAC, 50 or 60 Hz.

Make the following Electrical Connection:

- a) Connect the voltage supply line to ACL.
- b) Connect the voltage supply Neutral to ACN.
- c) Connect ground lead to the supply ground lead.



INSTALLATION

ACCESSORY PACK



WIRE NUT X 3

CAUTIONS:

1. Canopy ceiling should be sturdy and sound enough to accept luminaires.
2. All gaskets must be seated properly and all screws and plugs must be tightened firmly for good waterproof function.
3. Above Canopy ceiling should be clear of obstructions.

PENDANT MOUNT

1. Remove Screws A (6) on the driver box and open the Driver Box Cover. See Figure 1.
2. Feed the customer supplied pendant stem and leads through the top 3/4" NPS opening of driver box. Tighten the pendant stem. See Figure 1.
3. Make wire connection with supplied wire nuts per "Electrical Connections". Replace and secure the Driver Box Cover with removed Screws A (6). See Figure 2.

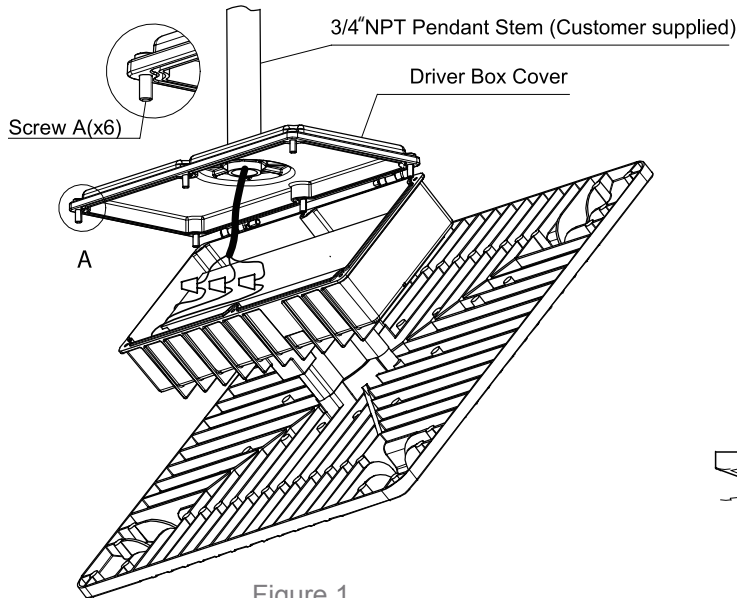


Figure 1

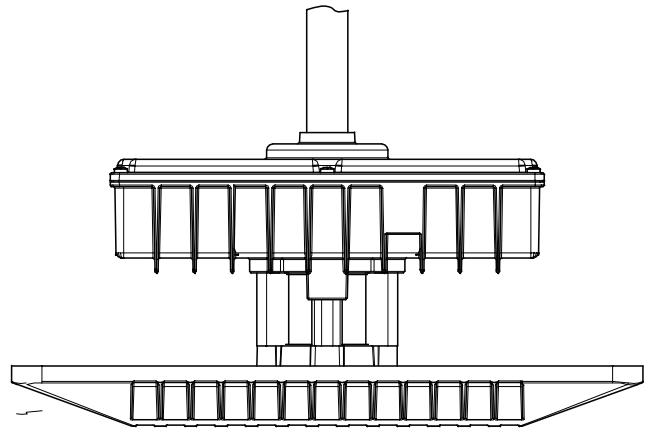


Figure 2

CANOPY CEILING MOUNT

Mount To Rectangular Opening

1. Cut a rectangular opening in the desired location of the canopy ceiling. See Figure 3 and 4.
2. Bring housing to canopy ceiling. Insert driver box and Safety Rope (2) into the rectangular opening. Support the luminaire to the building structure by the Safety Rope (2). Secure the housing to canopy ceiling with customer supplied UNC 1/4" Screw (4). See Figure 4 .
3. Remove Screws A (6) on the driver box and open the Driver Box Cover. See Figure 5.
4. Feed the power leads into Driver Box through the side 1/2" NPT Waterproof Joint (Customer supplied) and tighten the joint. See Figure 6.
5. Make wire connection per "Electrical Connections". See wire diagram.
6. Replace and secure the Driver Box Cover with removed Screws A(6). See Figure 6.

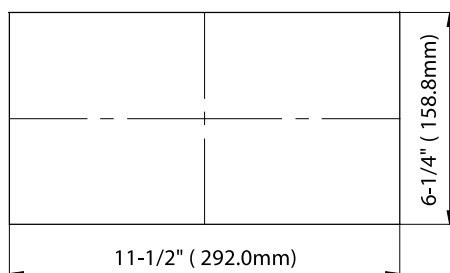


Figure 3

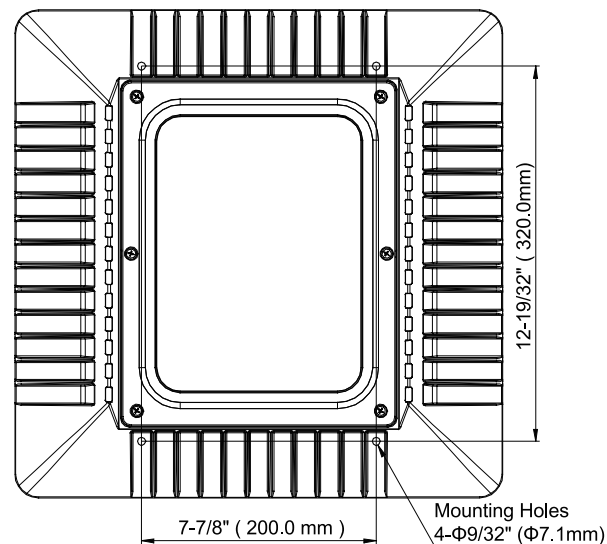


Figure 4

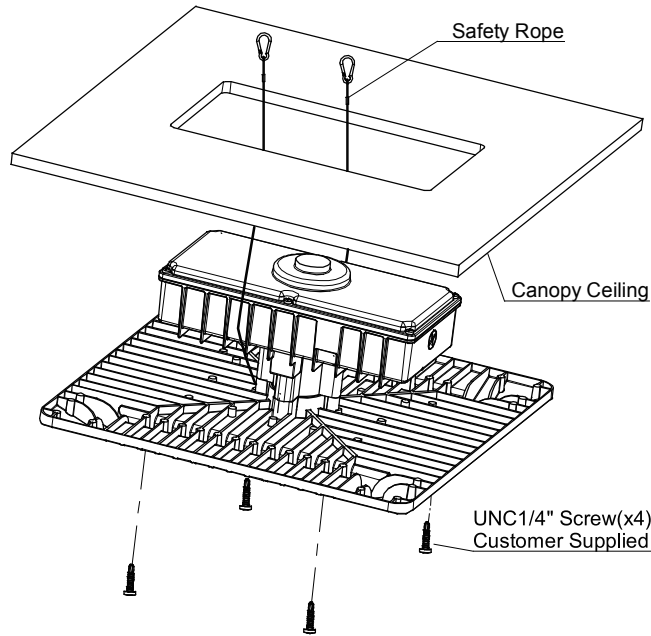


Figure 5

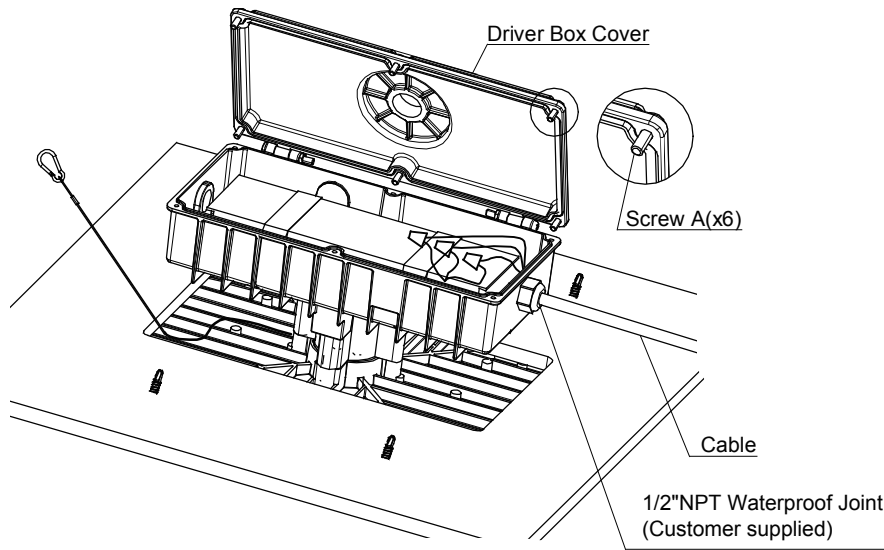


Figure 6