



**ABOVE ALL**

[www.AboveAllLighting.com](http://www.AboveAllLighting.com)

# 2021 PRODUCT CATALOG

## ABOUT US

Above All Lighting, a leader in R&D, manufacturing and customization of LED indoor and outdoor light fixtures. Above All Lighting is focused on serving the commercial and industrial markets and a commitment to design and manufacturing excellence. Above All Lighting uses the latest LED, thermal, optical, and control components in our products to ensure the best quality and the technology for the United States and Canadian Market.

Above All Lighting's headquarters is located in Toms River, New Jersey where Above All Lighting's products are engineered, designed and customized in our machine shop. Above All Lighting also owns its 600,000sf ISO9001: 2000 and ISO14001: 2004 certified factory in Asia to ensure the high quality of our products.

Above All Lighting's LED products include: area lights, outdoor floods, high bays, wall packs, garage lights, ceiling lights, LED tubes, and flat panels which meet the latest DLC requirements. Above All Lighting also offers led luminaires with special features such as customization of optics, brackets, diffusers, and controls including smart lighting technology, daylighting, motion and photo sensors, mesh networks, cameras, and Wi-Fi routers.

Above All Lighting's expert staff includes 22 engineers, 6 designers, and a senior management team with most of them having over 20 years of experience serving design, manufacturing, electrical distributors and contractors.

Service to customers and providing the best quality products is Above All Lighting's formula for success.



# TABLE OF CONTENTS

EPA 0.7 Glass Lens Moon Series Post Top	P5-6
Pavilion LED Post Top	P7-8
The Versatile LED Post Top (None & Acorn Shade)	P9-10
The Versatile LED Luminaire(Bell & Petunia Shade)	P11-12
The Versatile LED Area Light	P13-14
Solid LED Step And Wall Light	P15-16
DLC P Glass Lens V-Line Wall Pack	P17-18
DLC P Architecture Leopard Series Mini Wall Pack	P19-20
Glass Lens Traditional Standard Wall Pack	P21-22
DLC P Glass Lens LED Dark Sky Wall Pack	P23-24
Trumpet LED Wall Light <b>NEW</b>	P25-26
Cobble Emergency LED Wall Pack <b>NEW</b>	P27-28
Selectable Classic LED Wall Pack <b>NEW</b>	P29-30
Firefly Lantern <b>NEW</b>	P31-32
Ploto <b>NEW</b>	P33-34
Thetis <b>NEW</b>	P35-36
Starrysky <b>NEW</b>	P37-38
Selectable Slim Wall Pack <b>NEW</b>	P39-40
Cylinder LED Wall Light Down Light <b>NEW</b>	P41-42
ERATO <b>NEW</b>	P43-44
EUDORA <b>NEW</b>	P45-46
POULYNOE <b>NEW</b>	P47-48
SPOT <b>NEW</b>	P49-50
HORIZONTAL MINI LED Step Light <b>NEW</b>	P51-52
VERTICAL MINI LED Step Light <b>NEW</b>	P53-54
Architecture TR Security Light	P55-56
Traditional Security Light	P57-58
DLC P Glass V-Line Flood Light	P61-62
DLC P Architecture Leopard Series Mini Flood Light	P63-64
Selected Mini Flood Light <b>NEW</b>	P66-67
DLC P Glass Lens MT Universal Light	P69-72
SMT LED Area Light	P73-76
Sky Light	P78-80
Array LED Area Light <b>NEW</b>	P81-83
Standard LED Bollards	P84-85
Selectable Standard LED Bollards <b>NEW</b>	P86-87
Selectable Square LED Bollard <b>NEW</b>	P89-90
Louvers Round LED Bollard <b>NEW</b>	P91-92
LED Vapor Tight	P93-94
DLC P Glass Lens PAD Canopy Light	P95-96
J-BOX LED CANOPY	P97-98
DLC P LS Parking Garage	P99-100

# TABLE OF CONTENTS

Parking Garage Light	P101-102
DLC P LED Canopy	P104-105
Selectable Canopy Light <b>NEW</b>	P106-107
Full optic LED UFO High Bay	P109-110
High Power UFO LED High Bay	P111-112
GEN.2 LED UFO High Bay	P113-114
Selectable UFO High Bay <b>NEW</b>	P115-116
DLC P LED Linear High Bay	P117-118
Heavenly Linear High Bay	P119-122
GEN.2 LED Linear High Bay <b>NEW</b>	P124-126
MAGIC LED LINEAR LIGHT <b>NEW</b>	P127-129
SLEEKCEILING LED LUMINAIRE <b>NEW</b>	P130-131
PMMA, Samsung LED Chip LED Flat Panel	P133-134
Sky LED Flat Panel	P135-136
Back-lit LED Flat Panel	P137-138
DLC P LED Center Basket Troffer	P140-141
DLC P Door Frame Retrofit Kit DL Series	P142-143
LED Linear Strip Retrofit Kit	P144-145
OPAL LED Wraparound Light <b>NEW</b>	P146-147
DLC P LED Standard Wrap	P148-149
ECO VISION LED STRIP <b>NEW</b>	P151-154
VISION LED Strip Light	P155-159
Slim LED Strip Light <b>NEW</b>	P161-162
Commercial Downlight Retrofit Kit 6 Inch	P163-164
Commercial Downlight Retrofit Kit 6 Inch & 8 Inch	P165-166





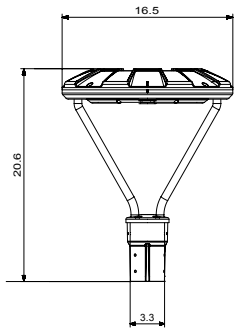
## ■ FEATURES

1. Easy and convenient installation
2. Light weight design and low EPA minimize pole load
3. Die-cast aluminum housing and excellent thermal management
4. IES distribution Types II, III & V for various applications
5. Tempered glass lens doesn't fade and discolor
6. Multi-level motion sensor, photocontrol & 3/5/7 PIN NEMA receptacle for option

## ■ Performance

Input Watts (LM-79 Reported)	35	47.8	72.1	99.4	133
Input Voltage	120-277	120-277	120-277	120-277	120-277
Output Lumens (@5000K/ 3000K)	4039	5319	8057.4	11595	16500
Replaces (MH)	150W	175W	250W	320W	400W
Lumen Per Watt	115	111	111.8	116.7	124
BUG Rating	MPT35301-III B2-U1-G1	MPT50301-III B2-U2-G1	MPT75301-V B3-U2-G2	MPT100301-V B3-U2-G2	MPT100301-V B3-U2-G2
EPA	0.7 ft <sup>2</sup>	0.7 ft <sup>2</sup>	0.7 ft <sup>2</sup>	0.7 ft <sup>2</sup>	0.7 ft <sup>2</sup>
Color Accuracy (CRI)	>70	>70	>70	>70	>70
Working Temperature	-40-104°F (-40-40°C)	-40-104°F (-40-40°C)	-40-104°F (-40-40°C)	-40-104°F (-40-40°C)	-40-104°F (-40-40°C)
IP Rating	IP66 rated	IP66 rated	IP66 rated	IP66 rated	IP66 rated

## ■ Dimensions & Weight



Effective Projected Area (EPA): 0.7ft<sup>2</sup>

Length: 16.5"

Width: 16.5"

Height: 20.6"

Max. Weight: 16.54 lbs



# EPA 0.7 Glass Lens Moon Series Post Top

## Ordering Information Example: MPT35501-MS-L3B-P1-V

Moon Series	Watts	CCT	Voltage	Controls	Installation	Distribution	Lens	Finish
MPT	35 - 35W	30 - 3000K	1 - 120-277V	<b>MS - L3B - Wattstopper</b>	<b>P1 - 2 3/8" or 3"</b>	<b>V - Type V</b>	<b>Blank - Glass</b>	<b>Blank - Dark</b>
	50 - 50W	40 - 4000K	2 - 347V <sup>1</sup>	Sensor	Tenon pole <sup>6</sup>	III - Type III	Clear Lens <sup>7</sup>	Bronze
	75 - 75W	50 - 5000K	3 - 480V <sup>2</sup>	With Black L3 Lens <sup>4</sup>		II - Type II	<b>GFL- Glass</b>	<b>AL - Aluminum</b>
	100 - 100W		6 - 347/480V <sup>3</sup>	<b>MS - L7B - Wattstopper</b>			Frosted Lens	Silver
	135 - 135W			Sensor with Black L7 Lens <sup>4</sup>			<b>PCL-Polycarbonate</b>	
				<b>PC - Photoelectric Control</b>			<b>PDL-Polycarbonate</b>	
				<b>7P - 7-Pin PE Receptacle<sup>5</sup></b>			Diffused Lens <sup>8</sup>	

**Notes:**

- Single voltage 347V is only used with photoelectric control.
  - Single voltage 480V is only used with photoelectric control.
  - 347/480 is available for 75W/100W/135W. If for 35W and 50W, it is 120-347V. Besides, 347/480V is not available for photoelectric control.
  - Wattstopper sensor is not available for 347/480V. Black L3 lens is standard for 35W and 50W; Black L7 lens is standard for 75W, 100W and 135W. Please check the motion sensor manual for more information.
  - Shorting cap included.
  - 4" OD round and square pole adapter is available for accessory.
  - Glass clear lens is standard. GFL, PCL and PDL may take long time- Please Ask Customer Service for Details.
  - Polycarbonate lens is IK10 rated.
- \* Standard Finish is Dark Bronze. Special Order as other finish color will take long time - Please Ask Customer Service for Details.

## Accessories Information (Order Separately)



**MPT-4RPA**  
4"OD round pole adapter



**MPT-4SPA**  
4" Square Pole Adapter

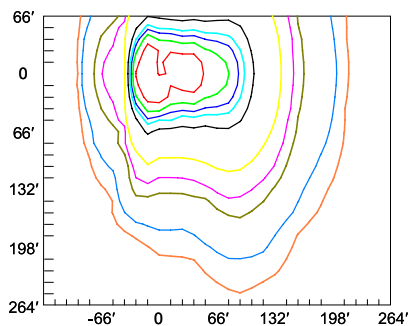


**MPT-HSS**  
House side shield for MPT/MLB

## Photometry

Mounting Height	16.5	19.8	23.1	26.4	29.7	33	36.3	39.6	42.9	46.2	49.5	52.8	66
Multiplier	16.0	11.1	8.2	6.3	4.9	4.0	3.3	2.8	2.4	2.0	1.8	1.6	1

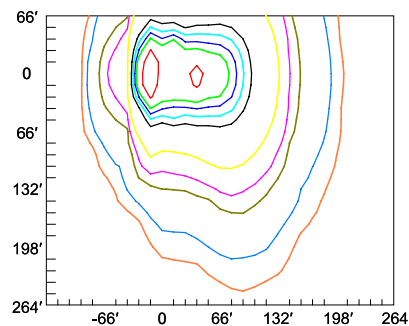
**MPT35501-P1-III**



MOUNTING HEIGHT: 66'(20.0m)

— 2.1 — 1.6 — 1.3 — 1.1  
— 0.79 — 0.26 — 0.13 — 0.079  
— 0.026 — 0.013

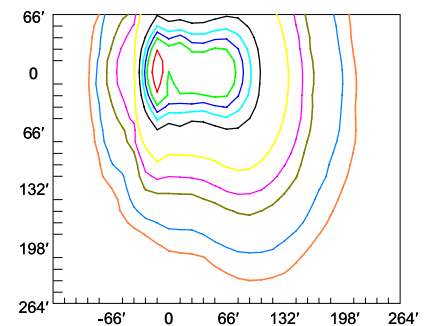
**MPT50501-P1-III**



MOUNTING HEIGHT: 66'(20.0m)

— 3.4 — 2.5 — 2.1 — 1.7  
— 1.3 — 0.42 — 0.21 — 0.13  
— 0.042 — 0.021

**MPT75501-P1-III**



MOUNTING HEIGHT: 66'(20.0m)

— 4.9 — 3.7 — 3.1 — 2.5  
— 1.8 — 0.62 — 0.31 — 0.18  
— 0.062 — 0.031

Note: Please visit our website for more details.





## ■ FEATURES

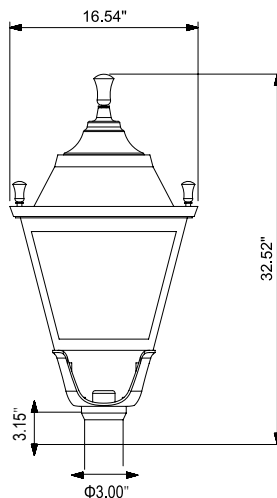
1. Up to 120LPW
2. IES distribution Types II, III, IV & V for various applications
3. Optional diffused glass lens panels
4. Photocontrol & 3/5/7 PIN NEMA receptacle optional
5. Integral 10KA surge suppression protection standard

## ■ Performance

Input Watts (LM-79 Reported)	29	50	76
Input Voltage	120-277	120-277	120-277
Output Lumens (@5000K)	3250	5750	8740
Replaces (MH)	150W	175W	250W
Lumen Per Watt	112	115	115
without four lens panels	1.70ft <sup>2</sup>	1.70ft <sup>2</sup>	1.70ft <sup>2</sup>
with four lens panels:	2.76ft <sup>2</sup>	2.76ft <sup>2</sup>	2.76ft <sup>2</sup>
Color Accuracy (CRI)	>70	>70	>70
Working Temperature	-40-104°F (-40-40°C)	-40-104°F (-40-40°C)	-40-104°F (-40-40°C)
IP Rating	IP65 rated	IP65 rated	IP65 rated

## ■ Dimensions & Weight

Effective Projected Area (EPA)  
 without four lens panels: 1.70ft<sup>2</sup>  
 with four lens panels: 2.76ft<sup>2</sup>  
 Max. Weight: 14.33 lbs



## ■ Ordering Information

Example: PPT30301-P1-V

Name	Watts	CCT	Voltage	Control	Installation	Distribution	Finish
PPT	30 - 30W	30 - 3000K	1 - 120-277V	Blank - None	P1 - 3" Tenon pole <sup>3</sup>	V - Type V <sup>4</sup>	Blank - Black
	50 - 50W	40 - 4000K	2 - 347V	PC - Photoelectric Control		IV - Type IV	
	75 - 75W	50 - 5000K	3 - 480V	7P - 7-Pin PE Receptacle <sup>2</sup>	III - Type III		
			6 - 347/480V <sup>1</sup>	II - Type II			

### Notes:

1. 347/480V is only available for 75W. If for 35W and 50W, it is 120-347V. Besides, 347/480V is not available for photoelectric control.
  2. Shorting cap included.
  3. 4"OD round pole adapter is available for accessory.
  4. Type V is standard. Please contact Customer Service to check the lead time for other distributions.
- \* Black finish is standard. Custom color is available for a premium setup fee. Consult customer service for additional information.

# Pavilion LED Post Top

## Accessories Information (Order Separately)

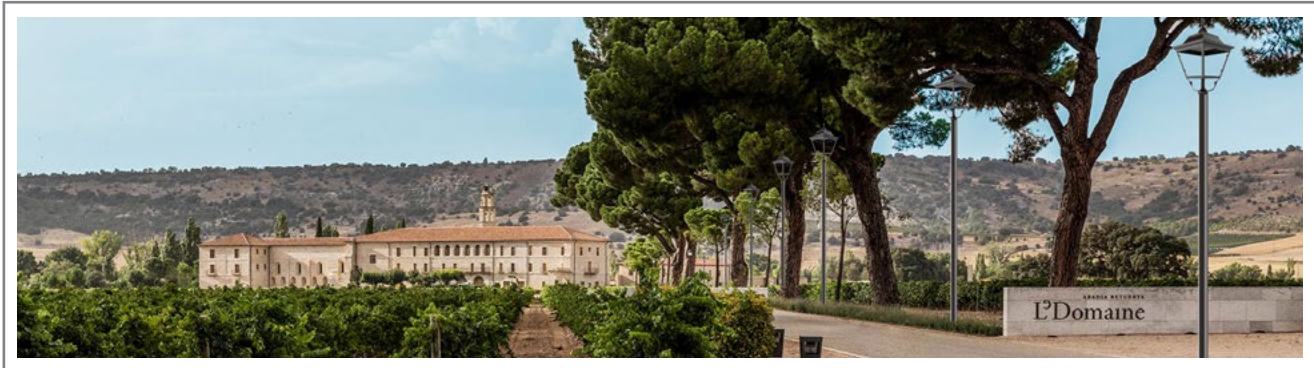


**MPT-4RPA**  
4"OD round pole adapter for post top



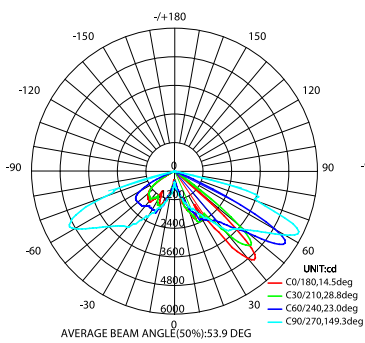
**PPT-GFL**  
4 pieces of glass frosted lens for pavilion LED post top

## Application

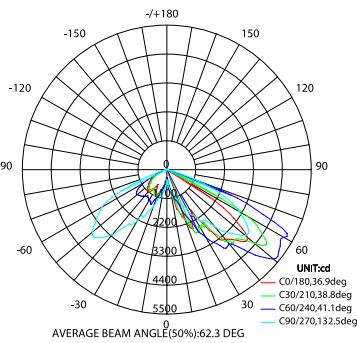


## Photometry

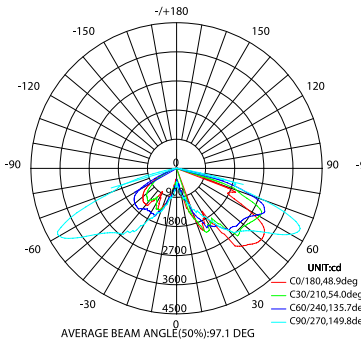
**Type II**



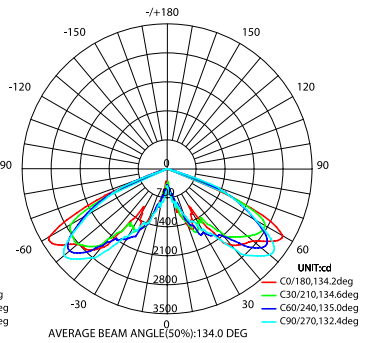
**Type III**



**Type IV**



**Type V**



Note: Please visit our website for more details.





# The Versatile LED Post Top (None & Acorn Shade)



## ■ FEATURES

1. None or acorn shade.
2. Photocontrol and microwave motion sensor optional.
3. Tempered glass lens doesn't fade and discolor.
4. IES distribution Types I, II & VN for various applications.

## ■ Performance

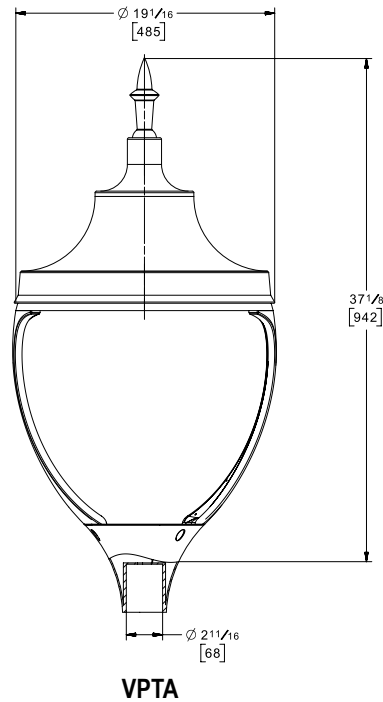
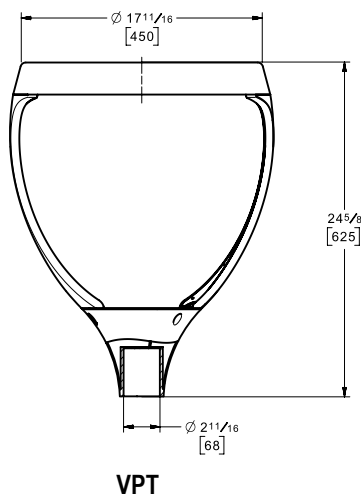
Input Watts (LM-79 Reported)	34	59	87	143
Input Voltage	120-277	120-277	120-277	120-277
Output Lumens (@4000K)	3640	6430	10000	15590
Replaces (MH)	150W	175W	250W	320W
Lumen Per Watt	107	109	115	109
Color Accuracy (CRI)	>70	>70	>70	>70
Working Temperature	-40-104°F (-40-40°C)	-40-104°F (-40-40°C)	-40-104°F (-40-40°C)	-40-104°F (-40-40°C)
IP Rating	IP66 rated	IP66 rated	IP66 rated	IP66 rated

## ■ Dimensions & Weight

Effective Projected Area (EPA):

VPT: 0.65ft<sup>2</sup>

VPTA: 1.69ft<sup>2</sup>



# The Versatile LED Post Top (None & Acorn Shade)

## Ordering Information

Example: VPTA30401-T5

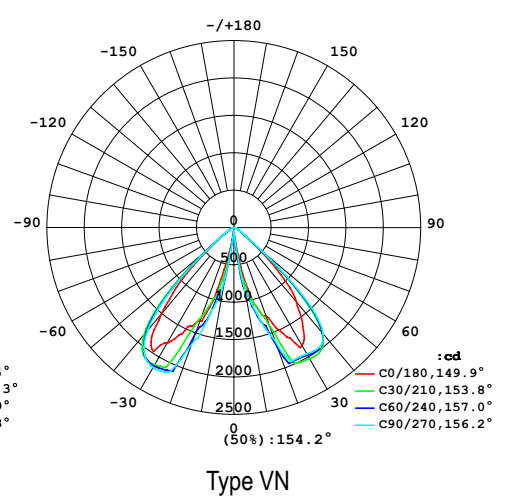
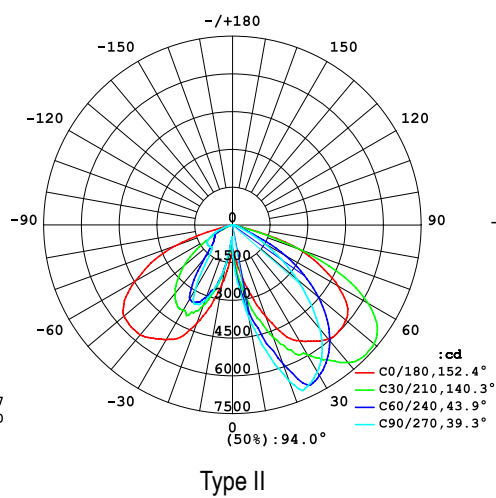
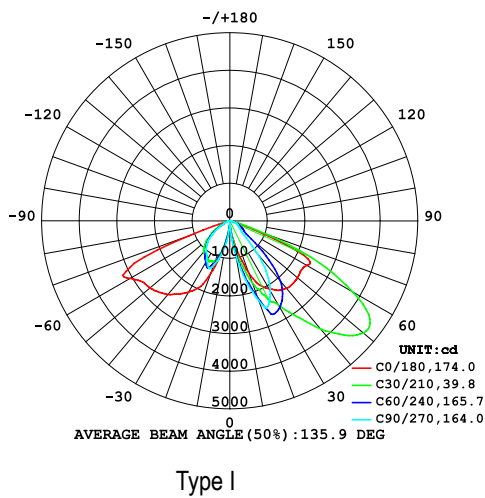
Name	Shade	Watts	CCT	Voltage	Control	Installation	Distribution	Lens	Finish
VPT	Blank - None	30 - 30W	30 - 3000K	1- 120-347V	Blank - None	Blank - 2 3/8" Tenon Pole	T1 - Type I	Blank - Glass Clear Lens	Blank - Bronze
	A - Acorn	60 - 60W	40 - 4000K		PC - Photoelectric Control <sup>1</sup>		T2 - Type II		
		90 - 90W	50 - 5000K		MSW - Microwave Motion Sensor		T5 - Type VN		
		150 - 150W							

Notice:

1. Photocontrol is not available for acorn shade.

\* Bronze finish is standard. Custom color is available for a premium setup fee. Consult customer service for additional information.

## Photometry



Note: Please visit our website for more details.



# The Versatile LED Luminaire (Bell & Petunia Shade)



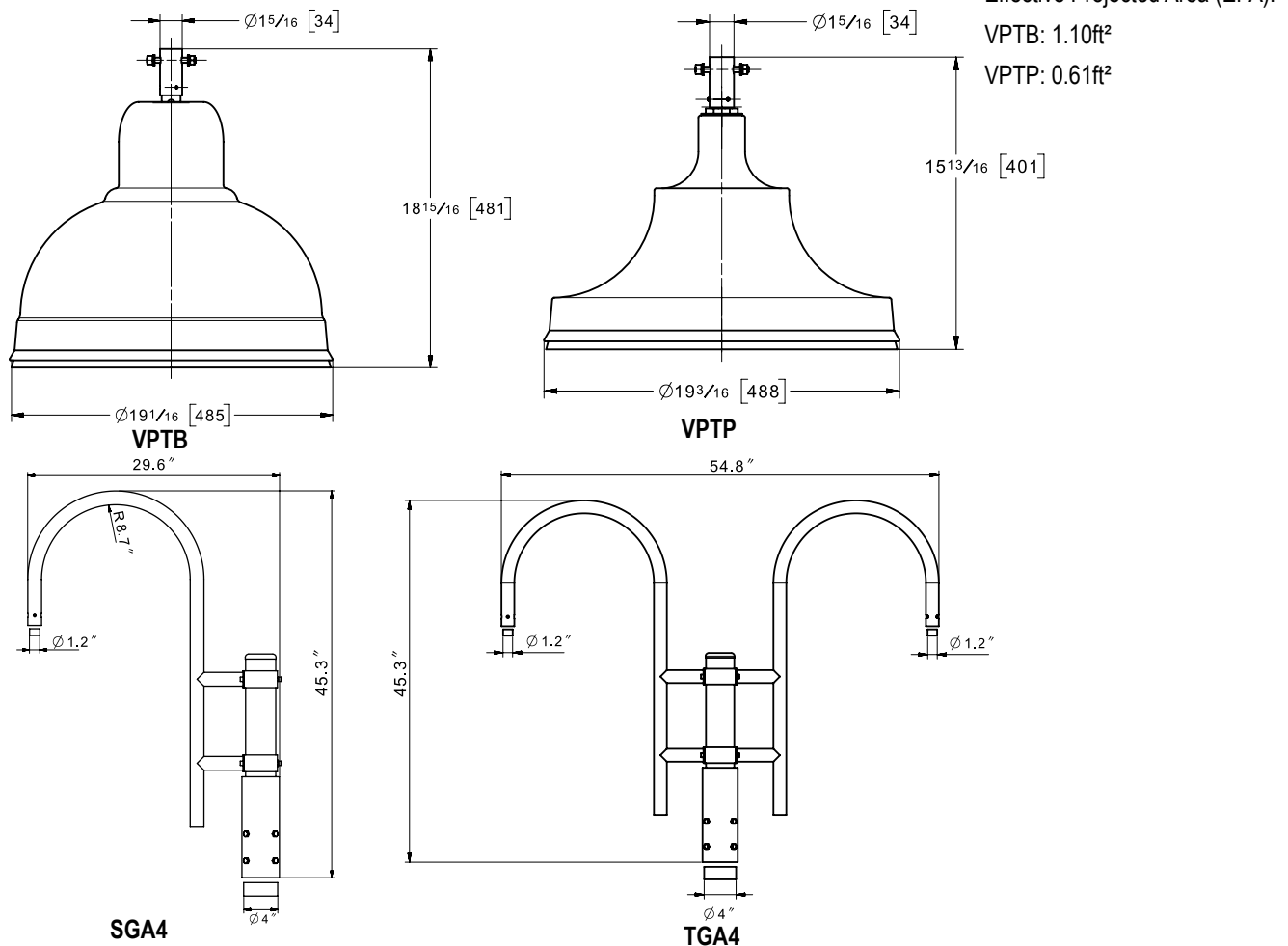
## FEATURES

1. Bell and petunia shades available.
2. Photocontrol and microwave motion sensor optional.
3. Tempered glass lens doesn't fade and discolor.
4. IES distribution Types I, II & VN for various applications.

## Performance

Input Watts (LM-79 Reported)	29	59	88	143
Input Voltage	120-277	120-277	120-277	120-277
Output Lumens (@4000K)	4060	8200	12000	18700
Replaces (MH)	150W	175W	250W	320W
Lumen Per Watt	140	139	137	131
Color Accuracy (CRI)	>70	>70	>70	>70
Working Temperature	-40-104°F (-40-40°C)	-40-104°F (-40-40°C)	-40-104°F (-40-40°C)	-40-104°F (-40-40°C)
IP Rating	IP66 rated	IP66 rated	IP66 rated	IP66 rated

## Dimensions & Weight



# The Versatile LED Luminaire (Bell & Petunia Shade)

## Ordering Information

Example: VPTB30401-T5

Name	Shade	Watts	CCT	Voltage	Control	Installation	Distribution	Lens	Finish
VPT	B - Bell	30 - 30W	30 - 3000K	1- 120-277VAC	- Blank - None	- Blank - Pendant Mount	- T1 - Type I	- Blank - Glass Clear Lens	- Blank -
	P - Petunia	60 - 60W	40 - 4000K		PC - Photoelectric	Order and shipped	T2 - Type II	Order and shipped	Bronze
		90 - 90W	50 - 5000K		Control <sup>1</sup>	separately <sup>2</sup>	T5 - Type V	separately <sup>2</sup>	
		150 - 150W			MSW - Microwave Motion Sensor	SGA4 - Single Gooseneck Arm for 4" OD pole <sup>1</sup>	Narrow	PDL-Polycarbonate Drop Lens	
					TGA4 - Twin Gooseneck Arm for 4" OD pole <sup>2</sup>				

Notice:

1. Photocell can only be mounted with SGA4 or TGA4.
2. Please check the accessory table for details.

\* Bronze finish is standard. Custom color is available for a premium setup fee. Consult customer service for additional information.

## Accessories Information (Order Separately)



VPTB-PDL

Polycarbonate Drop Lens



SGA4

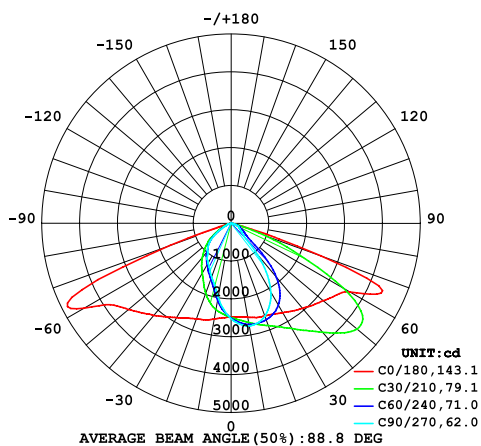
Single Gooseneck Arm  
for 4" OD Pole



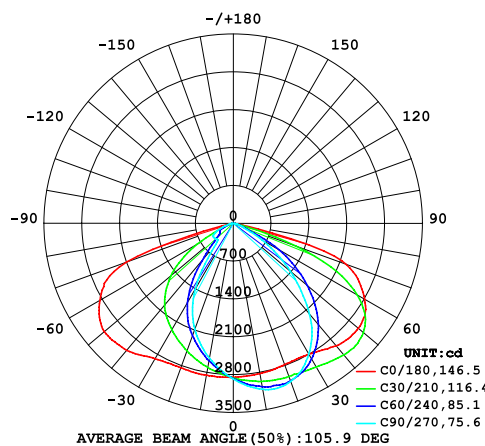
TGA4

Twin Gooseneck  
Arm for 4" OD Pole

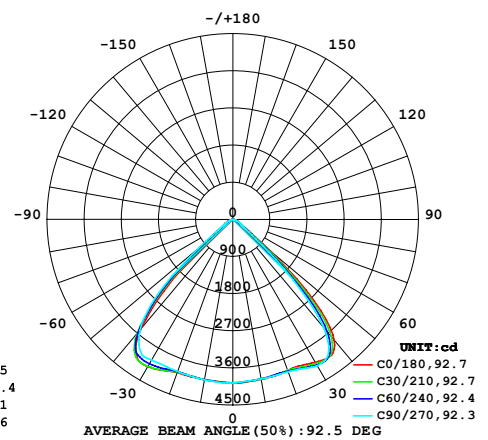
## Photometry



Type I



Type II



Type VN

Note: Please visit our website for more details.





## FEATURES

1. Horizontal and vertical slip fitter mount.
2. Maximum 15° up and down adjustable.
3. Photocontrol and microwave motion sensor optional.
4. Tempered glass lens will not fade and discolor.
5. IES distribution Types I, II & VN for various applications.

## Performance

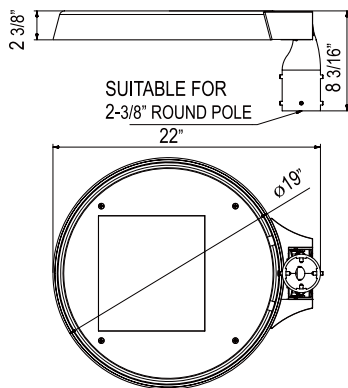
Input Watts (LM-79 Reported)	29	59	88	143
Input Voltage	120-277	120-277	120-277	120-277
Output Lumens (@4000K)	4060	8200	12000	18700
Replaces (MH)	150W	175W	250W	320W
Lumen Per Watt	140	139	137	131
Color Accuracy (CRI)	>70	>70	>70	>70
Working Temperature	-40-104°F (-40-40°C)	-40-104°F (-40-40°C)	-40-104°F (-40-40°C)	-40-104°F (-40-40°C)
IP Rating	IP66 rated	IP66 rated	IP66 rated	IP66 rated

## Dimensions & Weight

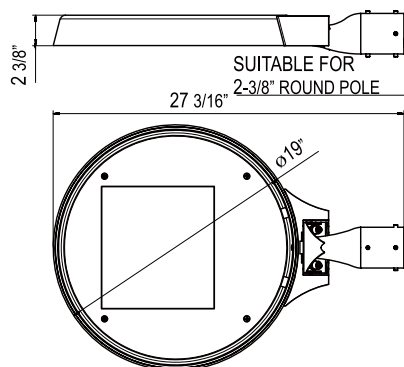
Effective Projected Area (EPA):

VPTD, Vertical Slip Fitter: 0.38ft<sup>2</sup>

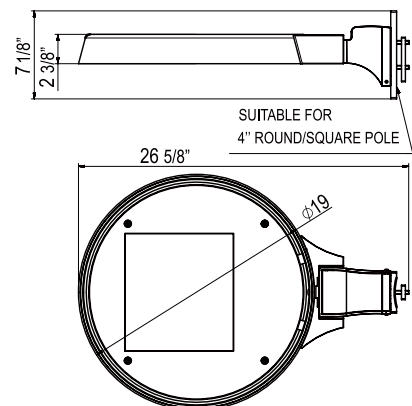
VPTD, Horizontal Slip Fitter: 0.29ft<sup>2</sup>



Vertical Slip Fitter Mount



Horizontal Slip Fitter Mount



Arm Mount

# The Versatile LED Area Light

## Ordering Information

Example: VPTD30401-T5

Name	Watts	CCT	Voltage	Control	Installation	Distribution	Lens	Finish
VPTD	30 - 30W	40 - 4000K	1- 120-277V	Blank - None	Blank - No Mounting Bracket	T1 - Type I	Blank - Glass Clear Lens	Blank - Bronze
	60 - 60W	50 - 5000K		PC - Photoelectric Control	Order and Shipped Separately <sup>1</sup>	T2 - Type II		
	90 - 90W			MSW - Microwave Motion Sensor	VPTD-VSF	T5 - Type VN		
	150 - 150W				VPTD-AR <sup>2</sup>			

Notice:

1. Order and shipped separately as accessory. More details in the following accessory table.

VPTD-AR is optional with long lead time.

\* Bronze finish is standard. Custom color is available for a premium setup fee. Consult customer service for additional information.



VPTD-VSF<sup>1</sup>

Versatile Slip Fitter for VPTD



VPTD-AR<sup>2</sup>

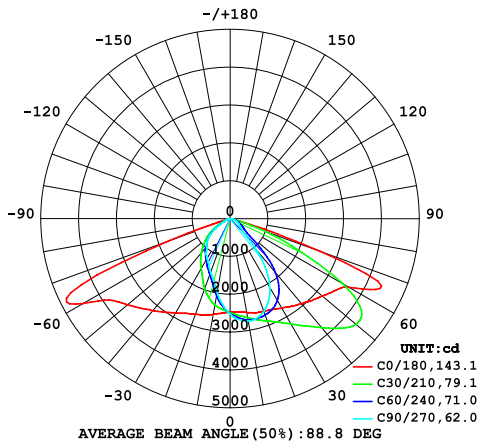
Arm for VPTD

Notice:

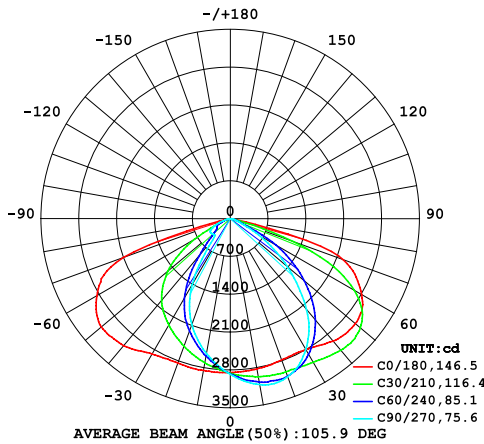
1. The versatile slip fitter can be mounted horizontally or vertically. Please check the installation manual for more details.

2. VPTD-AR is optional with long lead time.

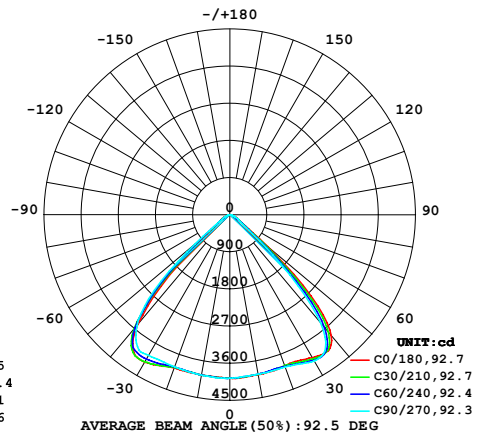
## Photometry



Type I



Type II



Type VN





## FEATURES

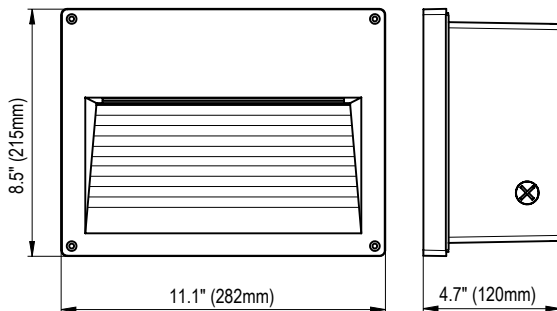
1. Up to 1800lm for various step and wall lighting applications
2. Recessed light resource and step-shaped design is good for glare elimination
3. Various mounting options
4. Heavy duty cast aluminum housing and tempered glass lens

## Performance

Input Watts (LM-79 Reported)	8	11	20
Input Voltage	120-277	120-277	120-347
Output Lumens (@3000K/4000K)	700/ 740	1000/ 1060	1700/ 1800
Replaces (MH)	50W	75W	100W
Color Accuracy (CRI)	>80	>80	>80
Working Temperature	-40-104°F (-40-40°C)	-40-104°F (-40-40°C)	-40-104°F (-40-40°C)
IP Rating	IP65 rated	IP65 rated	IP65 rated

## Dimensions & Weight

Max. Weight: 5.95 lbs



## Ordering Information

Example: VPTD30401-T5

Name	Lumens	CCT	Voltage	Control	Finish
STEP	07LM - 700 Lumens	30 - 4000K	1- 120-277V <sup>1</sup>	Blank - None	Blank - Bronze
	10LM - 1000 Lumens	40 - 4000K			
	17LM - 1700 Lumens		8- 120-277V <sup>1</sup>		

Notice:

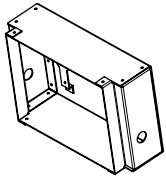
1. 120-277V is for 07LM and 10LM; 120-347V is for 17LM.

\* Please choose the desired Mounting Kits in following Accessory Table.

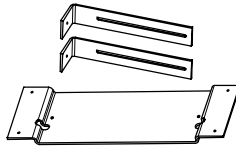
\* Bronze finish is standard. Custom color is available for a premium setup fee. Consult customer service for additional information.

# Solid LED Step And Wall Light

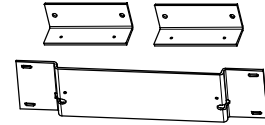
## ■ Accessories Information (Order Separately)



**STEP-CPM**  
Embedded mounting box kits for  
Concrete Pour Mount

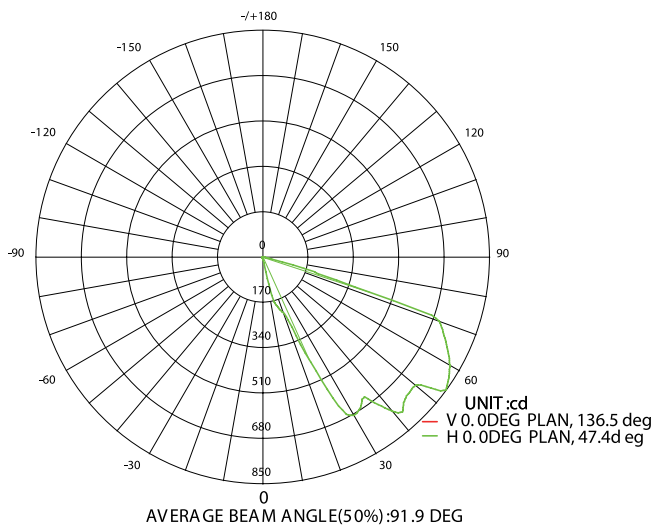


**STEP-BWM**  
Mounting kits for  
Brick Wall Mount



**STEP-HWM**  
Mounting kits for  
Hollow (Stud) Wall Mount

## ■ Photometry







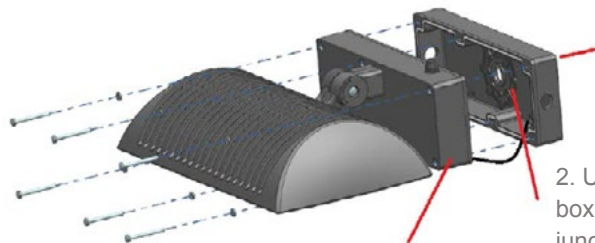
## ■ FEATURES

1. High efficiency up to 150LPW
2. Adjustable head up & down light
3. Main body separates from the driver
4. Tempered glass lens doesn't fade and discolor

## ■ Performance

Input Watts (LM-79 Reported)	28	41	54	77	103	118
Input Voltage	120-277	120-277	120-277	120-277	120-277	120-277
Output Lumens (@ 4000/5000K)	3860	5740	7780	11240	15000	17000
Replaces (MH)	150W	175W	250W	320W	400W	400W
Lumen Per Watt	138	140	144	146	145	144
Color Accuracy (CRI)	>70	>70	>70	>70	>70	>70
Bug Rating	B1-U1-G1	B2-U1-G1	B1-U1-G1	B2-U1-G2	B3-U1-G2	B3-U2-G2
EPA	26W/38W EPA= 0.68 max (depending on mounting type)		52W/80W/100W/120W EPA=1.42 max (depending on mounting type)			
Working Temperature	-40-104°F (-40-40°C)			-40-104°F (-40-40°C)		
IP Rating	IP65 rated				IP65 rated	

## ■ Installation

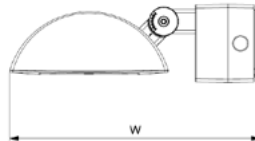
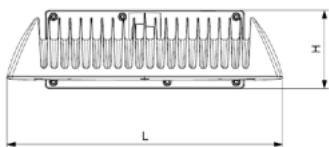


1. Put Driver box (Water proof foam at back) to appropriate position, follow installation manual.

2. Using tool to open holes at driver box (The holes position in driver box follow U.S. standard the hole position of appropriate position junction box requirement), screw tightly.

3. Closed power supply cover, screw tightly and finish installation.

## ■ Dimensions & Weight



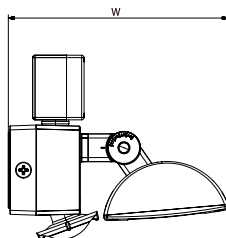
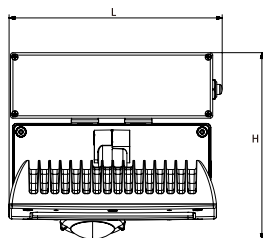
### Without EBU and Motion Sensor

#### 26W & 38W

Length: 10.12"  
Width: 9.84"  
Height: 4.69"  
Max. Weight: 8.8 lbs

#### 52W, 80W, 100W, 120W

Length: 15.32"  
Width: 13.78"  
Height: 4.44"  
Max. Weight: 17 lbs



### With EBU and Motion Sensor

#### 26W & 38W

Length: 10.35"  
Width: 10.83"  
Height: 9.24"  
Max. Weight: 11.92 lbs

# DLC P Glass Lens V-Line Wall Pack

## Ordering Information Example: WL26506

Wall Light	Watts	CCT	Voltage	Controls	Lens Type
WL	26 - 26 Watts	30 - 3000K	1 - 120-277V	MS - Wattstopper Motion Sensor <sup>4</sup>	L3B - Black L3 lens <sup>6</sup>
	38 - 38 Watts	40 - 4000K	4 - 120V <sup>1</sup>	PC - Photo Control <sup>1</sup>	
	52 - 52 Watts	50 - 5000K	5 - 277V <sup>1</sup>	EBU - Emergency battery backup <sup>5</sup>	
			6 - 120-347V <sup>2</sup>		
	70 - 80 Watts		1 - 120-277V		
	100 - 100 Watts		4 - 120V <sup>1</sup>		
	120 - 120 Watts		5 - 277V <sup>1</sup>		
			6 - 347V/480V <sup>3</sup>		

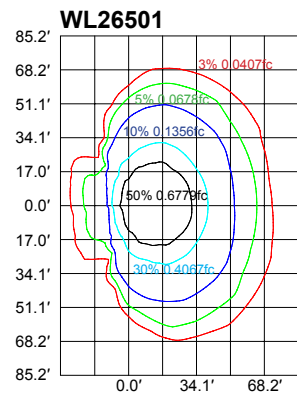
Notice:

1. PC is only for 120V or 277V. Without PC, please don't choose single voltage of 120V or 277V.
  2. 120-347V is only available for 26W, 38W and 52W. If for 480V please contact the Customer Service in advance.
  3. 347/480V is only available for 80W, 100W and 120W.
  4. Wattstopper Sensor is only available in 26W and 38W.
  5. EBU is only available in 26W and 38W at 120-277V. And the working temperature is 0-40°C. The EBU is Title 20 compliant.
  6. Default motion sensor lens type is black L3 lens - Please ask customer service for other options.
- \* Standard Finish as Dark Bronze. Special Order as other finish color-Please Ask Customer Service for Details.

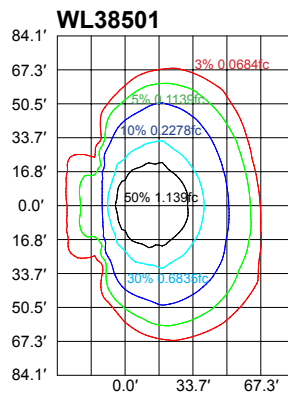
## Photometry

Mounting Height	10	12	15	18	20	25	33
Multiplier	10.9	7.6	4.9	3.4	2.8	1.8	1

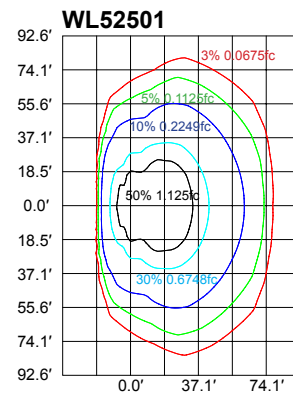
All published luminaire photometric testing performed to IESNA LM-79-08 standards by a NVLAP certified laboratory.



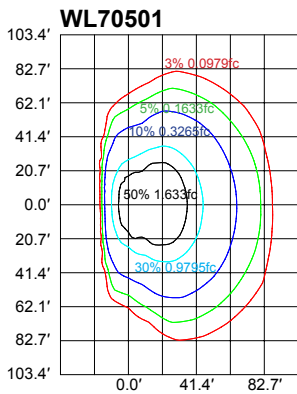
MOUNTING HEIGHT: 33'(10.0m)



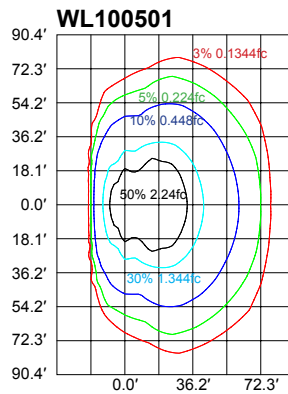
MOUNTING HEIGHT: 33'(10.0m)



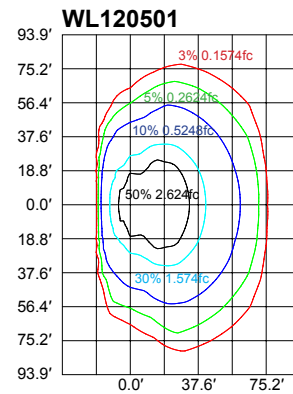
MOUNTING HEIGHT: 33'(10.0m)



MOUNTING HEIGHT: 33'(10.0m)



MOUNTING HEIGHT: 33'(10.0m)



MOUNTING HEIGHT: 33'(10.0m)

Note: Please visit our website for more details.



# DLC P Architecture Leopard Series Mini Wall Pack



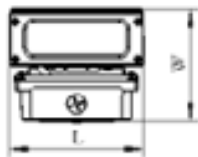
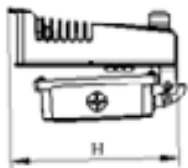
## ■ FEATURES

1. Up to 146 LPW
2. Tempered glass lens
3. Angle adjustable by the junction box

## ■ Performance

Input Watts (LM-79 Reported)	20	24
Input Voltage	120-277	120-277
Output Lumens (@5000K)	2920	3410
Replaces (MH)	100W	100W
Lumen Per Watt	146	142
Color Accuracy (CRI)	>70	>70
Bug Rating	B2-U2-G0	B2-U2-G0
Working Temperature	-40-104°F (-40-40°C)	-40-104°F (-40-40°C)
IP Rating	IP65 rated	IP65 rated

## ■ Dimensions



**wall mount  
(with junction box)**

Length: 7.2"

Width: 5.6"

Height: 4.8"

## ■ Ordering Information

Example: MFW25504-PC-WL

Name	Watts	CCT	Voltage	Controls	Installation
MFW	20 - 20 Watts	30 - 3000K	1 - 120-277V	PC - Photo Control <sup>1</sup>	WL - Wall Mount
	25 - 25 Watts	40 - 4000K	4 - 120V		(With Junction Box)
		50 - 5000K	5 - 277V		

Notice:

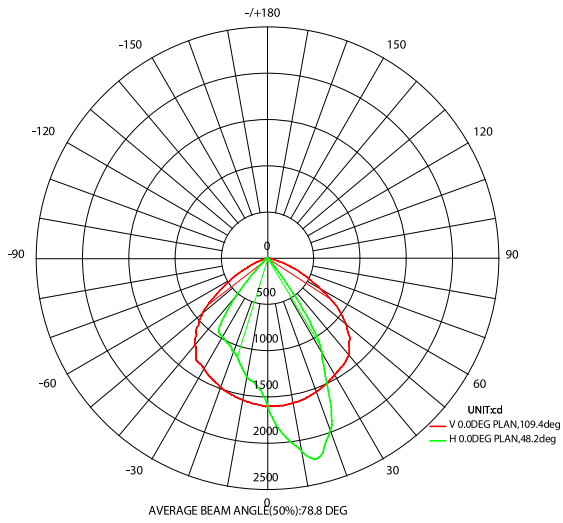
1. PC is only for 120V or 277V. Without PC, please choose 120-277V.

\* Bronze finish is standard. Custom color is available for a premium setup fee. Consult customer service for additional information.

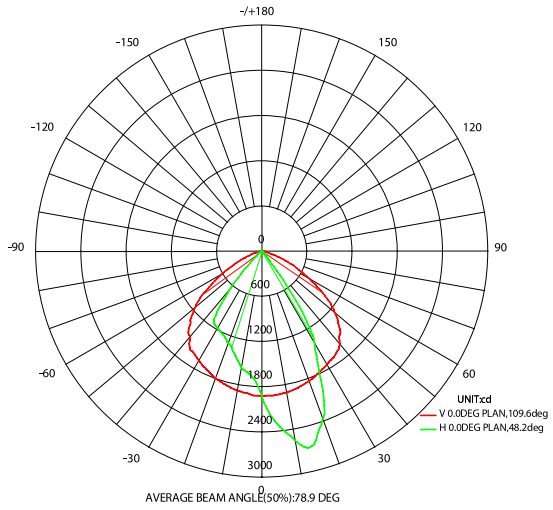
# DLC P Architecture Leopard Series Mini Wall Pack

## ■ Photometry

All published luminaire photometric testing performed to IESNA LM-79-08 standards by a NVLAP certified laboratory.



**20W**



**25W**

Note: Please visit our website for more details.



## Glass Lens Traditional Standard Wall Pack



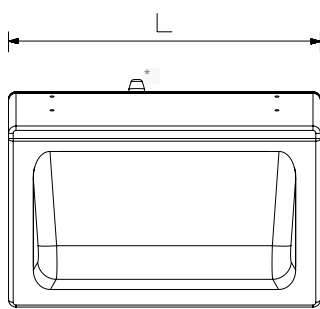
### ■ FEATURES

1. Tempered Glass Lens
2. Top 5 LED Chip & LED Driver
3. EBU Available For Low Wattage

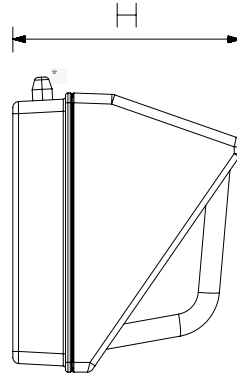
### ■ Performance

Input Watts (LM-79 Reported)	21	31	37	50
Input Voltage	120-277	120-277	120-277	120-277
Output Lumens (@5000K)	2385	3269	3663	4941
Replaces (MH)	125W	150W	175W	250W
Lumen Per Watt	114	105	105	99
Color Accuracy (CRI)	>80	>80	>70	>70
Working Temperature	-40-104°F (-40-40°C)	-40-104°F (-40-40°C)	-40-104°F (-40-40°C)	-40-104°F (-40-40°C)
IP Rating	IP65 rated	IP65 rated	IP65 rated	IP65 rated

### ■ Dimensions & Weight



\*Option: photocontrol



#### 20W & 30W

Length: 14.5"

Width: 9.0"

Height: 7.5"

Max. Weight: 10.12 lbs

#### 35W & 52W

Length: 18.5"

Width: 9.0"

Height: 9.5"

Max. Weight: 16.7 lbs

### ■ Ordering Information

Example: ABBWP30504-PC

ABOVE ALL	Wall Pack	Watts	CCT	Voltage	Controls
ABB	WP	20 - 20 Watts	30 - 3000K <sup>1</sup>	1 - 120-277V	MSW - Microwave Motion Sensor <sup>4</sup>
		30 - 30 Watts	40 - 4000K <sup>2</sup>	4PC - 120V photocell	
		40 - 35 Watts	50 - 5000K	5PC - 277V photocell	EBU - Emergency Battery Backup <sup>4</sup>
		55 - 52 Watts			

Notice:

1. 3000K DLC is only available in 20W and 30W.
2. 4000K DLC is only available in 20W and 30W.
3. EBU solution are only available in 20W, 30W and 35W. And the working temperature is 32-104°F. The EBU is Title 20 compliant.
4. The sensor can not be installed in the room of long-time vibration because the vibration signal will be regarded as the moving signal to trigger sensor.

\* Standard Finish as Dark Bronze. Special Order as other finish color - Please Ask Customer Service for Details.

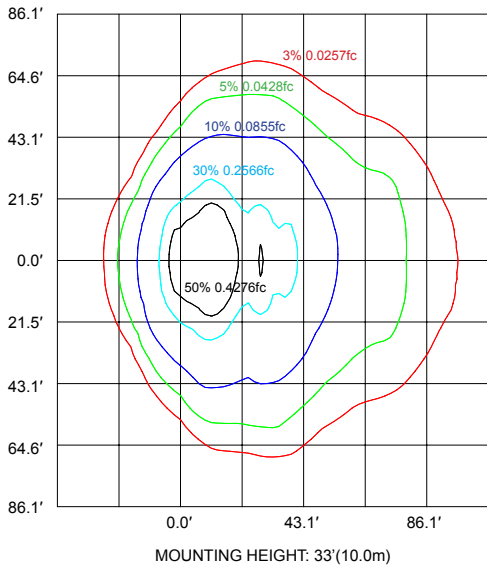
# Glass Lens Traditional Standard Wall Pack

## ■ Photometry

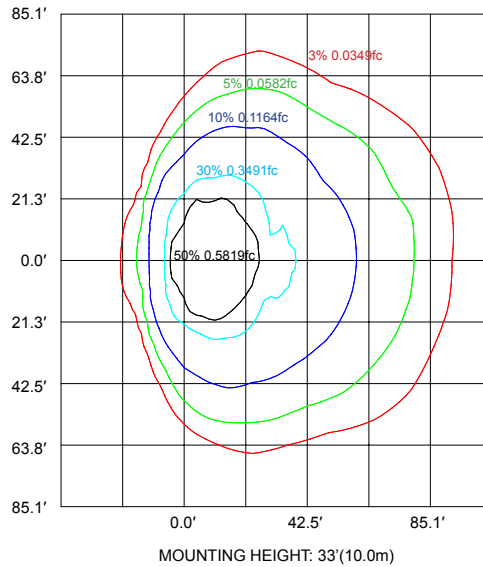
All published luminaire photometric testing performed to IESNA LM-79-08 standards by a NVLAP certified laboratory.

Mounting Height	10	12	15	18	20	25	33
Multiplier	10.9	7.6	4.9	3.4	2.8	1.8	1

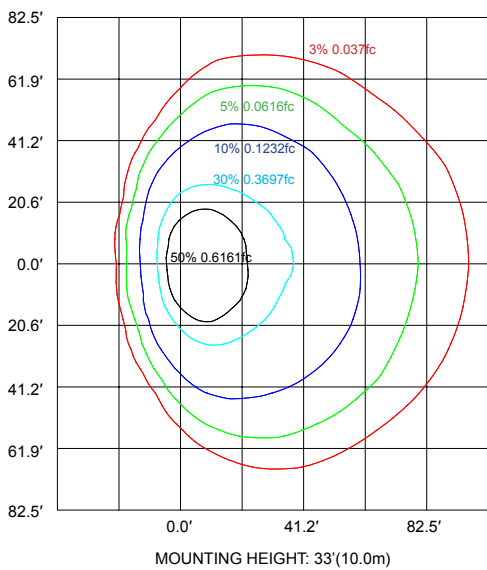
**ABBWP20501**



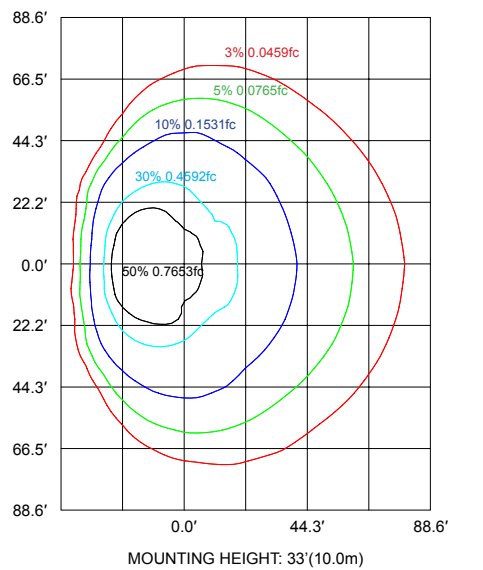
**ABBWP30501**



**ABBWP40501**



**ABBWP55501**



Note: Please visit our website for more details.



## DLC P Glass Lens LED Dark Sky Wall Pack



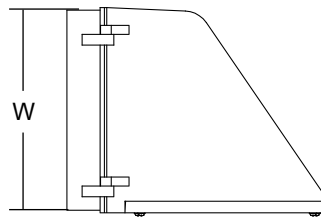
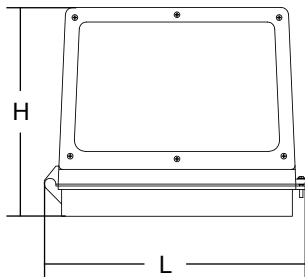
### ■ FEATURES

1. DLC Premium listed
2. Imported Long-life LG LED and reliable Fulham driver
3. Uniform color consistency
4. Constructed of tempered glass lens and heavy duty IP65-rated housing
5. No heavy metals or harmful gas
6. Universal voltage
7. Optional photo control, motion sensor and emergency battery backup.

### ■ Performance

Input Watts (LM-79 Reported)	20	29	35	52
Input Voltage	120-277	120-277	120-277	120-277
Output Lumens (@4000K)	2400	3700	4550	6260
Replaces (MH)	125W	150W	175W	250W
Lumen Per Watt	120	128	130	130
Color Accuracy (CRI)	>70	>70	>70	>70
Working Temperature	-31-104°F (-35-40°C)	-31-104°F (-35-40°C)	-31-104°F (-35-40°C)	-31-104°F (-35-40°C)
IP Rating	IP65 rated	IP65 rated	IP65 rated	IP65 rated

### ■ Dimensions & Weight



#### 20W, 30W & 38W

Length: 14.4"  
Width: 9"  
Height: 11.4"  
Max. Weight: 9 lbs

#### 52W

Length: 18"  
Width: 9.5"  
Height: 13.5"  
Max. Weight: 15.4 lbs

### ■ Ordering Information

Example: ABWP40LED50DS-MSW

ABOVE ALL	Wall Pack	Watts	Source type	CCT	Distribution	Controls
AB	WP	20 - 20 Watts	LED	30 - 3000K <sup>1</sup>	DS - Dark Sky	MSW - Microwave Motion Sensor <sup>3</sup>
		30 - 30 Watts		40 - 4000K		PC12 - Photo Control 120V
		40 - 38 Watts		50 - 5000K		PC27 - Photo Control 277V
		60 - 52 Watts				EBU6 - 6W Emergency battery Backup <sup>2</sup>
						Leave blank for no controls

Notice:

1. DLC Premium is unavailable in 3000K.
2. EBU solution is only available in 20W, 30W and 38W. And the working temperature is 32-104°F. The EBU is Title 20 compliant.
3. MSW is not available for 20W. The sensor can not be installed in the room of long-time vibration because the vibration signal will be regarded as the moving signal to trigger sensor.

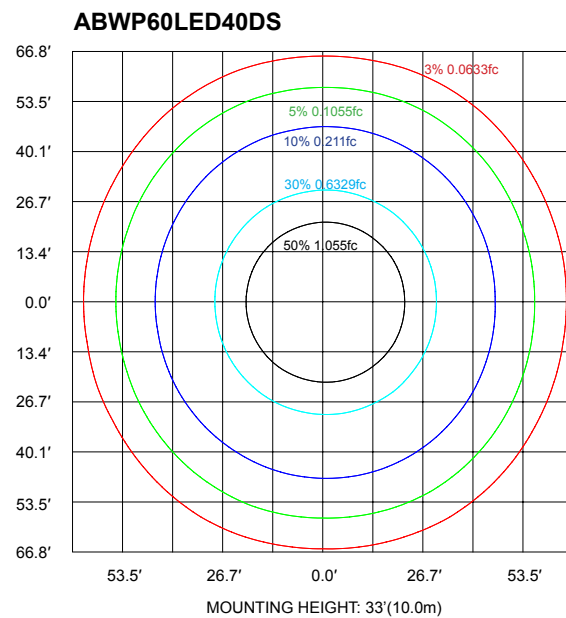
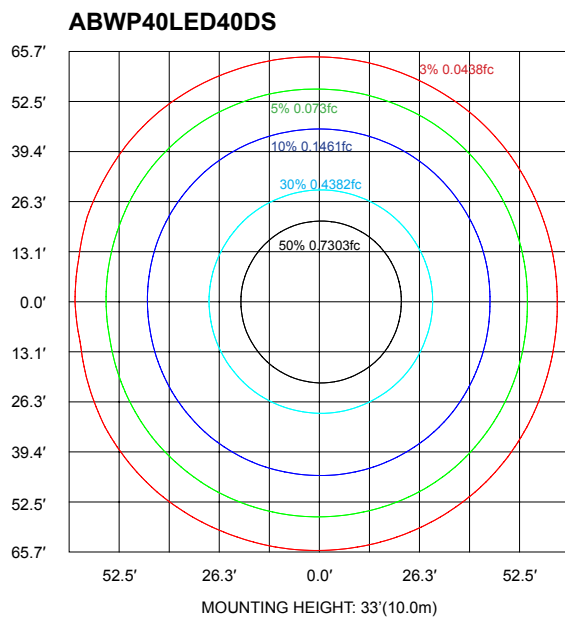
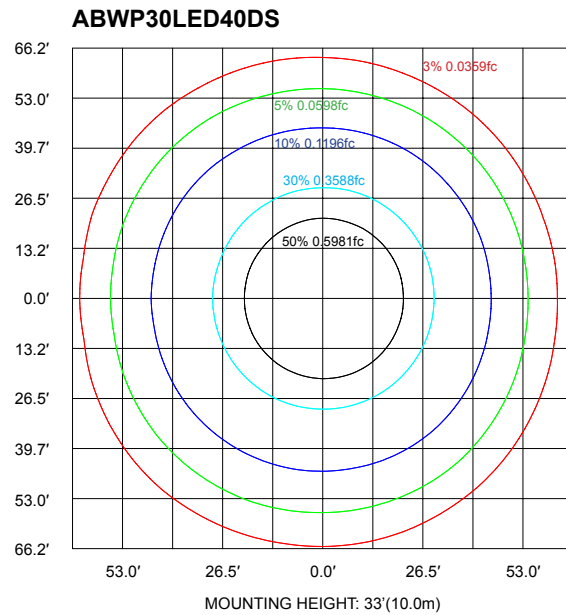
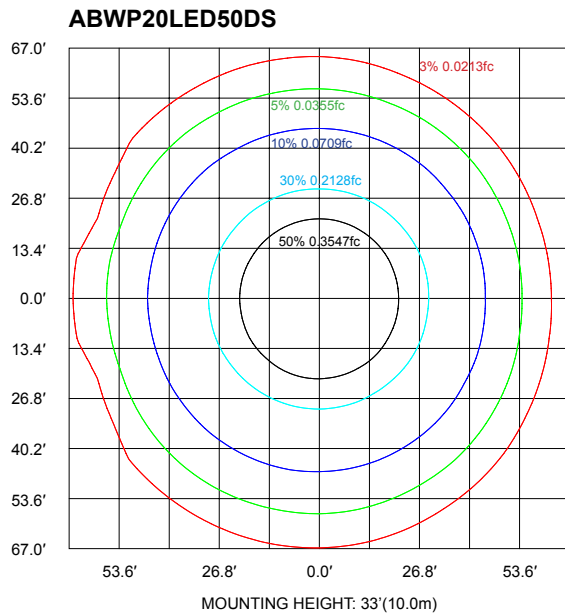
\* Bronze finish is standard. Custom color is available for a premium setup fee. Consult customer service for additional information.

# DLC P Glass Lens LED Dark Sky Wall Pack

## ■ Photometry

All published luminaire photometric testing performed to IESNA LM-79-08 standards by a NVLAP certified laboratory.

Mounting Height	10	12	15	18	20	25	33
Multiplier	10.9	7.6	4.9	3.4	2.8	1.8	1



Note: Please visit our website for more details.







## ■ FEATURES

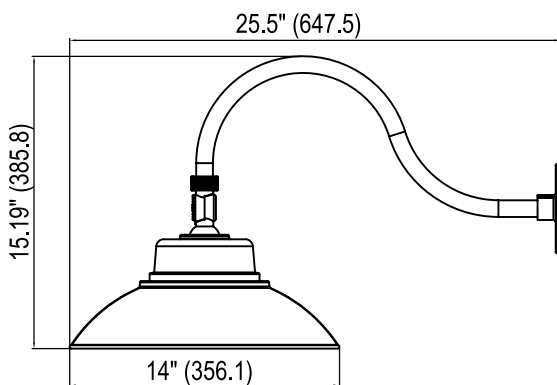
1. Ideal for lighting up signs and facades
2. Swivel Knuckle can make adjustable angle to 210°
3. Photocell sensor optional for use as dusk to dawn light
4. Easy-mount integral mounting canopy

## ■ Performance

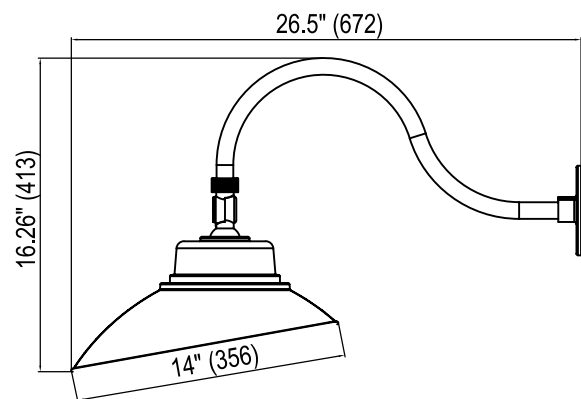
Input Watts (LM-79 Reported)	19	33
Input Voltage	120-277	120-277
Output Lumens (@5000K)	2500	4100
Replaces (MH)	100W	150W
Lumen Per Watt	131	124
Color Accuracy (CRI)	80	80
Working Temperature	-22 - 95°F (-30 - 35°C)	-22 - 95°F (-30 - 35°C)
IP Rating	IP65 rated	IP65 rated

## ■ Dimensions & Weight

### Dome Shade



### Slope Shade



**Ordering Information** Example: TPTD20301-PC-T5

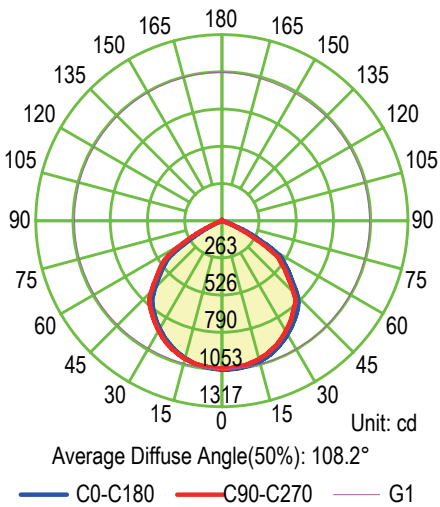
Name	Shade	Watts	CCT	Voltage	Controls	Installation	Optics	Finish
TPT	D - Dome	20 - 20W	30 - 3000K	1 - 120-277V	Blank - None	Blank- Gooseneck Arm	T5 - Type V	Blank - Bronze
	S - Slope	35 - 35W	40 - 4000K		PC - Photo Control			BK- Black
			50 - 5000K					WH-White

Notice:

\* Bronze, black and white finish are standard. Custom color is available for a premium setup fee. Consult customer service for additional information.

**Photometry**

All published luminaire photometric testing performed to IESNA LM-79-08 standards by a NVLAP certified laboratory.





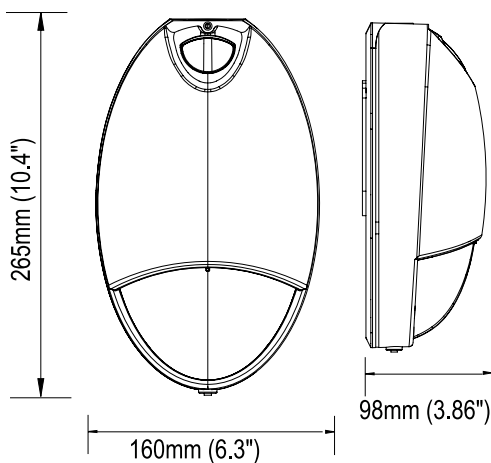
## FEATURES

1. The AC and emergency light model comes standard
2. Indicator light on the bottom to show battery charge status easily
3. Photocell sensor included as a standard for use as dusk to dawn light
4. Sealed decorative housing is suitable for wet locations
5. Easy-mount back plate

## Performance

	Emergency Mode	AC Mode
Input Watts (LM-79 Reported)	4	12
Input Voltage	120-277	120-277
Output Lumens	400	1000
Input Current@120V	0.03A	114
Color Accuracy (CRI)	70	70
Working Temperature	-22°F - 104°F (-30°C- 40°C)	-22°F - 104°F (-30°C- 40°C)
Max. Mounting Height	11.1FT	11.1FT

## Dimensions & Weight



# Cobble Emergency LED Wall Pack

## Ordering Information Example: CEMWP12501-PC-EBU

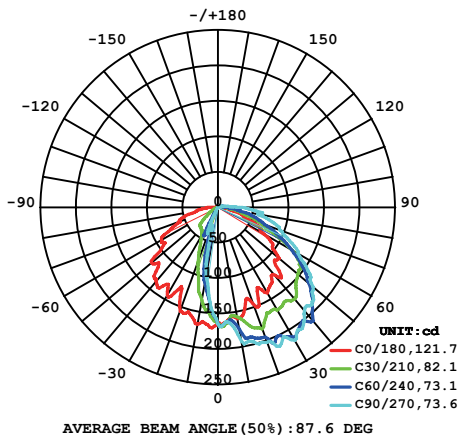
Name	Watts	CCT	Voltage	Controls	Finsh
CEMWP	12 - 12W	30 - 3000K	1-120-277V	PC-EBU - Photo Control and Emergency Battery Back-up	Blank - Bronze
		40 - 4000K			WH - White
		50 - 5000K			

Notice:

\* Bronze finish is standard. Custom color is available for a premium setup fee. Consult customer service for additional information.

## Photometry

All published luminaire photometric testing performed to IESNA LM-79-08 standards by a NVLAP certified laboratory.





## ■ FEATURES

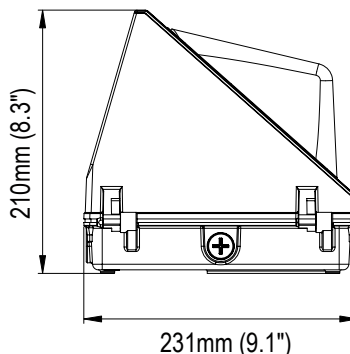
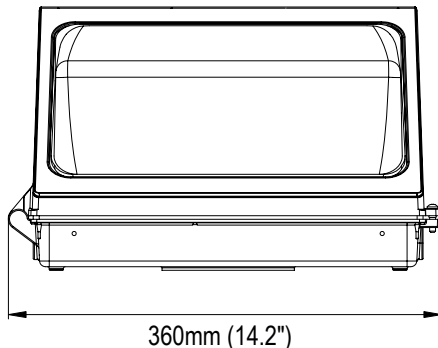
1. High efficiency up to 153LPW
2. Wattage selectable
3. 3000K, 4000K and 5000K selectable
4. Lumen output range from 4000lm to 14,000lm
5. Wide voltage 120-347V
6. Tempered glass lens

## ■ Performance

Input Watts (LM-79 Reported)	28	40	60	70
Input Voltage	120-347V	120-347V	120-347V	120-347V
Output Lumens (@4000K)	4190	5700	7950	10790
Replaces (MH)	250W	250W	250W	250W
Lumen Per Watt	153	150	142	150
Color Accuracy (CRI)	>70	>70	>70	>70
Working Temperature	-40 - 104°F(-40 - 40°C)	-40 - 104°F(-40 - 40°C)	-40 - 104°F(-40 - 40°C)	-40 - 104°F(-40 - 40°C)
IP Rating	IP65 rated	IP65 rated	IP65 rated	IP65 rated
Input Watts (LM-79 Reported)	80	90	100W	
Input Voltage	120-347V	120-347V	120-347V	
Output Lumens (@4000K)	12000	13230	14190	
Replaces (MH)	400W	400W	400W	
Lumen Per Watt	149	150	144	
Color Accuracy (CRI)	>70	>70	>70	
Working Temperature	-40 - 104°F(-40 - 40°C)	-40 - 104°F(-40 - 40°C)	-40 - 104°F(-40 - 40°C)	
IP Rating	IP65 rated	IP65 rated	IP65 rated	

## ■ Dimensions & Weight

Net. Weight: 8.82 lbs



## ■ Ordering Information Example: SCWP-SPS-SW8

Name	Watts	CCT	Voltage	Controls	Finish
<b>SCWP</b>	<b>SPS</b> - Selectable Power 28W/40W/60W <sup>1</sup>	<b>SW</b> - Selectable White 3000K/4000K/5000K <sup>2</sup>	<b>8</b> -120-347V	<b>Blank</b> - None	<b>Blank</b> - Bronze
	<b>SPL</b> - Selectable Power 70W/80W/90W/100W <sup>1</sup>				

Notice:

- 60W and 100W are default setting, If need other wattage, please contact Customer Service in advance to change the setting in factory or change the setting in the field
- 4000K is default setting. If need other CCT please contact Customer Service in advance to change the setting in factory or change the setting in the field.

\* Bronze finish is standard. Custom color is available for a premium setup fee. Consult customer service for additional information.

## ■ Accessories Information (Order Separately)



**SCWP-WG**

Wire Guard



**SCWP-BP**

Beauty Plate

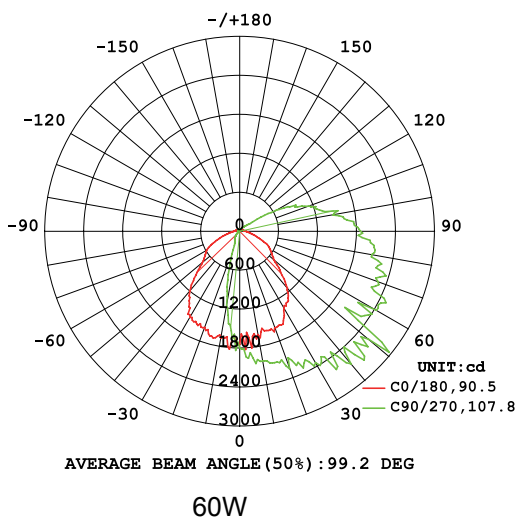


**SCWP-GS**

Glare Shield

## ■ Photometry

All published luminaire photometric testing performed to IESNA LM-79-08 standards by a NVLAP certified laboratory.





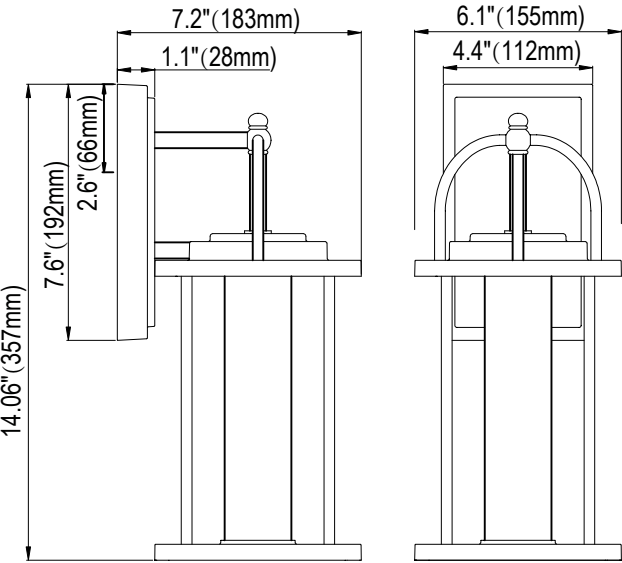
**FEATURES**

The Firefly Lantern wall light combines aluminum with durable powder coat paint in traditional lantern style. Glass diffuser with special design to achieve wonderful lighting visual impression and enables soft light distribution. Especially designed for exterior wall mount applications under the roof such as Villa, courtyard garden and public squares.

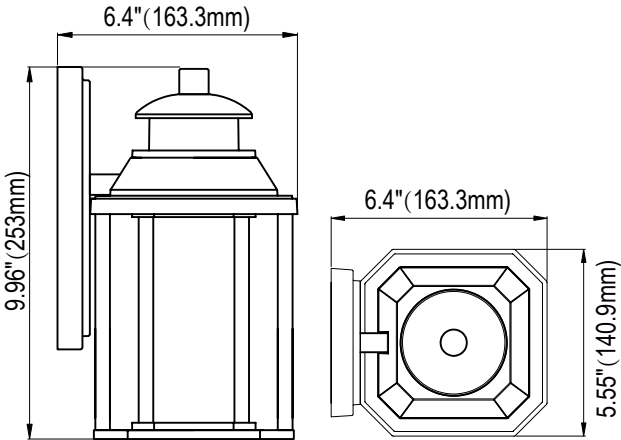
**Performance**

	Cylinder	Hollow
Input Watts (LM-79 Reported)	11	11
Input Voltage	120V	120V
Output Lumens (@3000K)	460	680
Dimming	Non dimming	Non dimming
Color Accuracy (CRI)	80	80
Working Temperature	-30~40°C (-22~104°F)	-30~40°C (-22~104°F)

**Dimensions & Weight**



Diffuser Shape: Cylinder



Diffuser Shape: Hollow

# Firefly Lantern

## ■ Ordering Information Example: FFLYCD11304-BK

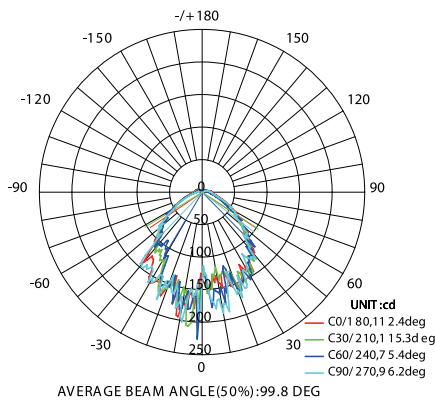
Model	Diffuser	Watts	CCT	Voltage	Controls	Finish
FFLY	CD- Cylinder-shaped HW- Hollow-shaped	11 - 11W	30 - 3000K	4-120	Blank - None	Blank - Black

Notice:

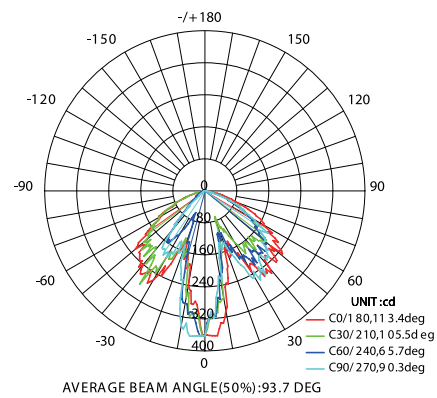
\* Black finish is standard. Custom color is available for a premium setup fee. Consult customer service for additional information.

## ■ Photometry

All published luminaire photometric testing performed to IESNA LM-79-08 standards by a NVLAP certified laboratory.



Diffuser Shape: Cylinder



Diffuser Shape: Hollow







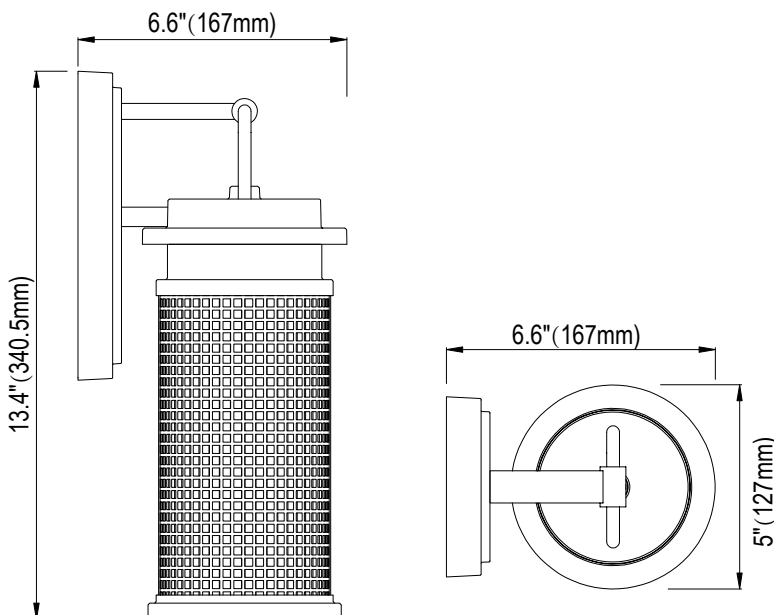
## ■ FEATURES

The Ploto wall light combines aluminum with durable powder coat paint in traditional portable style. This durable indoor/outdoor wall light offers advanced LED technology discreetly hidden in its robust housing.

## ■ Performance

Input Watts (LM-79 Reported)	11
Input Voltage	120V
Output Lumens (@3000K)	460
Dimming	Non dimming
Color Accuracy (CRI)	80
Working Temperature	-30~40°C (-22~104°F)

## ■ Dimensions & Weight



# Ploto

## ■ Ordering Information Example: PLOT011304-BK

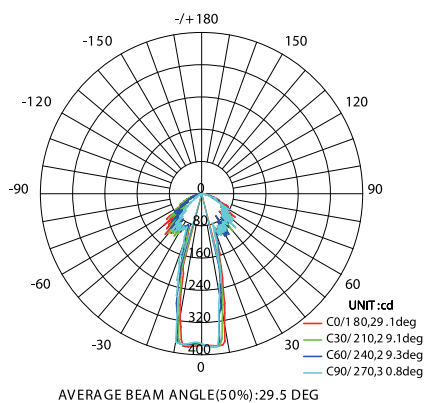
Model	Watts	CCT	Voltage	Controls	Finsh
PLOT0	11 - 11W	30 - 3000K	4-120	Blank - None	Blank - Black

Notice:

\* Black finish is standard. Custom color is available for a premium setup fee. Consult customer service for additional information.

## ■ Photometry

All published luminaire photometric testing performed to IESNA LM-79-08 standards by a NVLAP certified laboratory.





## ■ FEATURES

The Thetis wall light comes in glass diffuser with special design. It seems heavy rains are falling down on the glass during a storm and enables soft light distribution. Especially designed for indoor/outdoor wall mount applications.

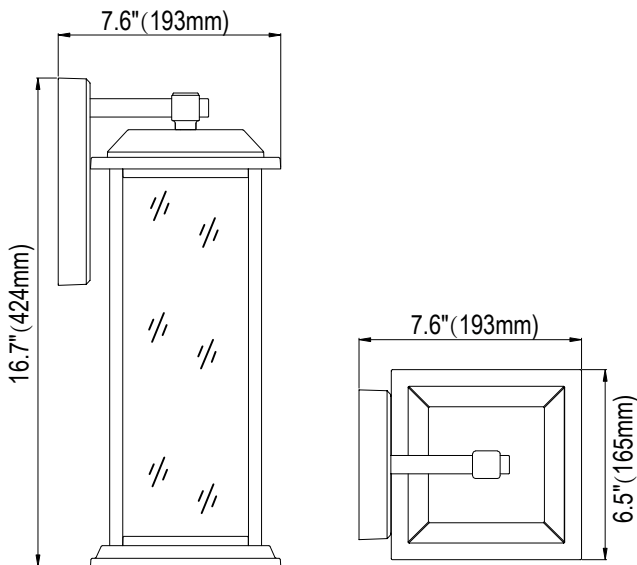
## ■ Performance

---

Input Watts (LM-79 Reported)	10.5
Input Voltage	120V
Output Lumens (@3000K)	820
Dimming	Non dimming
Color Accuracy (CRI)	80
Working Temperature	-30~40°C (-22~104°F)

---

## ■ Dimensions & Weight



# Thetis

## ■ Ordering Information Example: TTS11304-BK

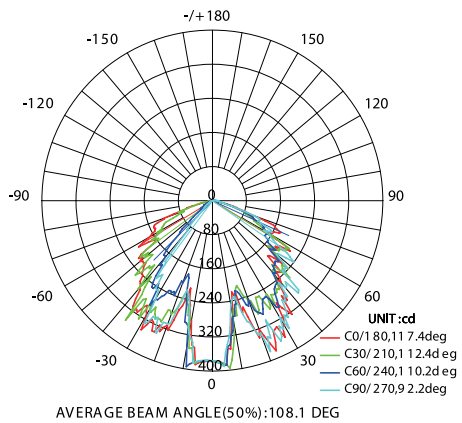
Model	Watts	CCT	Voltage	Controls	Finsh
TTS	11 - 11W	30 - 3000K	4-120	Blank - None	Blank - Black

Notice:

\* Black finish is standard. Custom color is available for a premium setup fee. Consult customer service for additional information.

## ■ Photometry

All published luminaire photometric testing performed to IESNA LM-79-08 standards by a NVLAP certified laboratory.





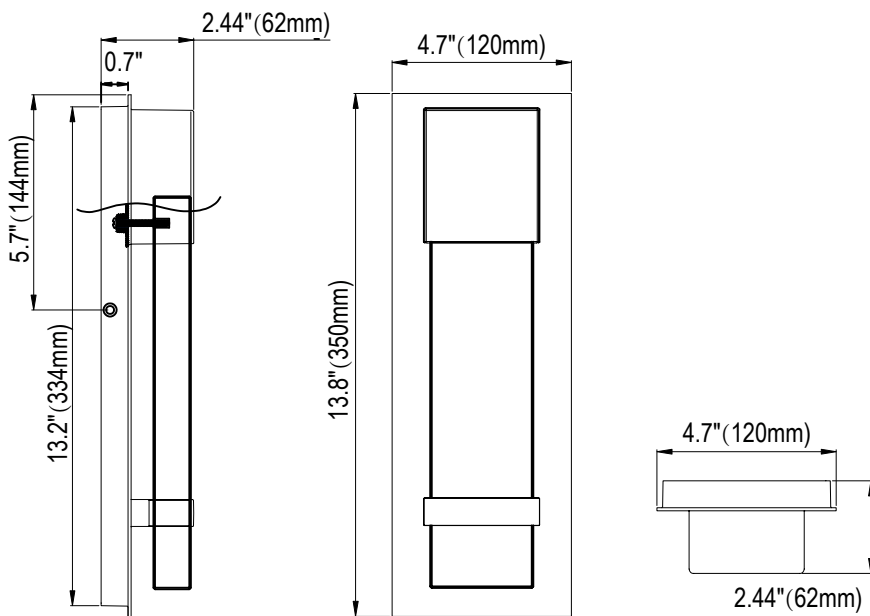
## ■ FEATURES

The Starrysky wall light comes in simple shape design. Glass diffuser with special design to achieve wonderful lighting visual impression and enables soft light distribution. Especially designed for indoor/ outdoor wall mount applications.

## ■ Performance

Input Watts (LM-79 Reported)	11
Input Voltage	120V
Output Lumens (@3000K)	370
Dimming	Non dimming
Color Accuracy (CRI)	80
Working Temperature	-30~40°C (-22~104°F)

## ■ Dimensions & Weight



## ■ Ordering Information Example: SSKY11304-BK

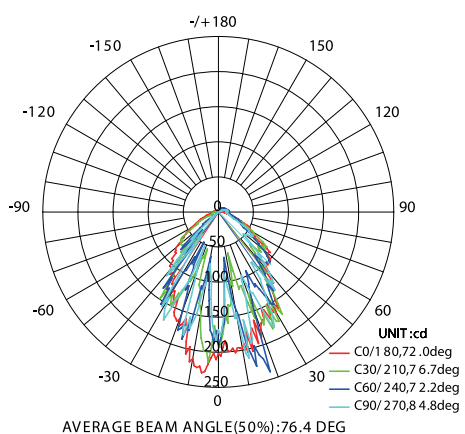
Model	Watts	CCT	Voltage	Controls	Finsh
SSKY	11 - 11W	30 - 3000K	4-120	Blank - None	Blank - Black

Notice:

\* Black finish is standard. Custom color is available for a premium setup fee. Consult customer service for additional information.

## ■ Photometry

All published luminaire photometric testing performed to IESNA LM-79-08 standards by a NVLAP certified laboratory.





## FEATURES

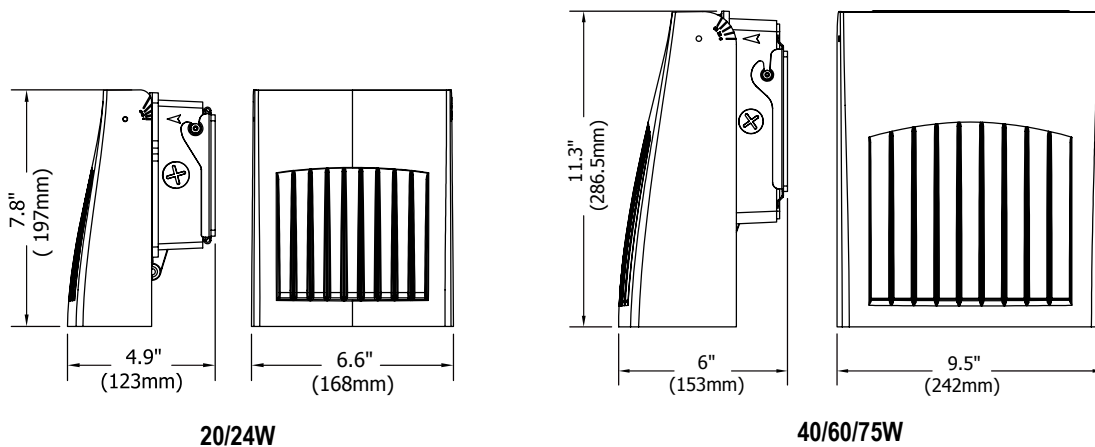
1. Architectural low profile design
2. 0-90 degree angle adjustable
3. 3000K, 4000K and 5000K selectable
4. Wattage selectable
5. Die-cast aluminum housing
6. Tempered glass lens

## Performance

Input Watts (LM-79 Reported)	19	23	40
Input Voltage	120-277V	120-277V	120-277V
Output Lumens (@4000K)	2600	3200	5400
Dimming	0-10V Dimming	0-10V Dimming	0-10V Dimming
Color Accuracy (CRI)	>70	>70	>70
Working Temperature	-40 - 104°F (-40 - 40°C)	-40 - 104°F (-40 - 40°C)	-40 - 104°F (-40 - 40°C)

Input Watts (LM-79 Reported)	57	72
Input Voltage	120-277V	120-277V
Output Lumens (@4000K)	7800	9650
Dimming	0-10V Dimming	0-10V Dimming
Color Accuracy (CRI)	>70	>70
Working Temperature	-40 - 104°F (-40 - 40°C)	-40 - 104°F (-40 - 40°C)

## Dimensions & Weight



# Selectable Slim Wall Pack

## Ordering Information Example: SSWP-SPS-SW1

Model	Watts	CCT	Voltage	Controls	Finsh
<b>SSWP</b>	<b>SPS</b> - Selectable Power 20W/24W <sup>1</sup>	<b>SW</b> - Selectable White 3000K/4000K/5000K <sup>2</sup>	1-120-277V	<b>Blank</b> - None	<b>Blank</b> - Black
	<b>SPL</b> - Selectable Power 40W/60W/75W <sup>1</sup>				

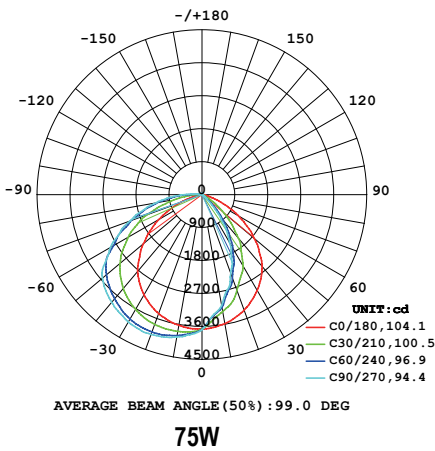
Notice:

- 24W and 75W are default setting, If need other wattage, please contact Customer Service in advance to change the setting in factory or change the setting in the field.
- 4000K is default setting. If need other CCT please contact Customer Service in advance to change the setting in factory or change the setting in the field.

\* Bronze finish is standard. Custom color is available for a premium setup fee. Consult customer service for additional information.

## Photometry

All published luminaire photometric testing performed to IESNA LM-79-08 standards by a NVLAP certified laboratory.







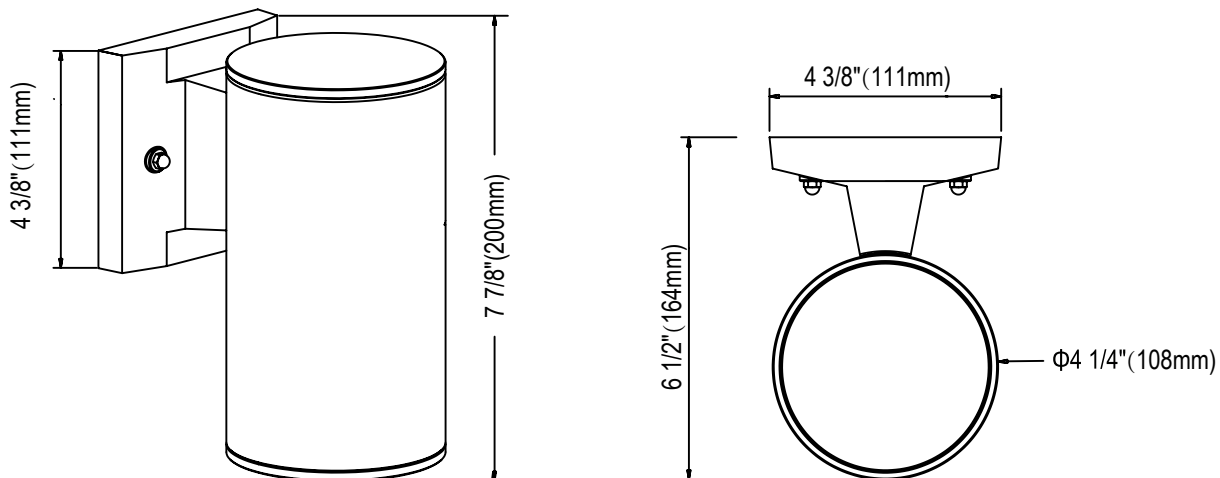
## ■ FEATURES

The Cylinder wall light is designed in a cylinder shape with durable powder coat paint. It combines aluminium structure with a tempered glass diffuser radiating light downward against the wall where installed.

## ■ Performance

Input Watts (LM-79 Reported)	9
Input Voltage	120V
Output Lumens (@3000K)	770
Dimming	Non dimming
Color Accuracy (CRI)	80
Working Temperature	-13-95°F (-25-35°C)

## ■ Dimensions & Weight



# Cylinder LED Wall Light Down Light

## ■ Ordering Information Example: CDWL09304-BK

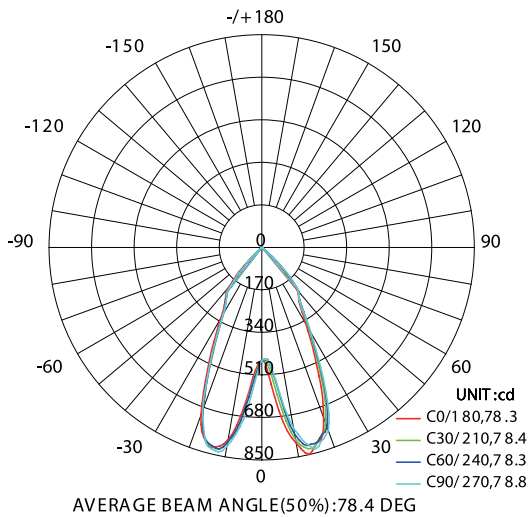
Model	Watts	CCT	Voltage	Controls	Finsh
CRD - Cylinder Round Direct	09 - 9W	30 - 3000K	4-120	Blank - None	Blank - Black

Notice:

\* Black finish is standard. Custom color is available for a premium setup fee. Consult customer service for additional information.

## ■ Photometry

All published luminaire photometric testing performed to IESNA LM-79-08 standards by a NVLAP certified laboratory.





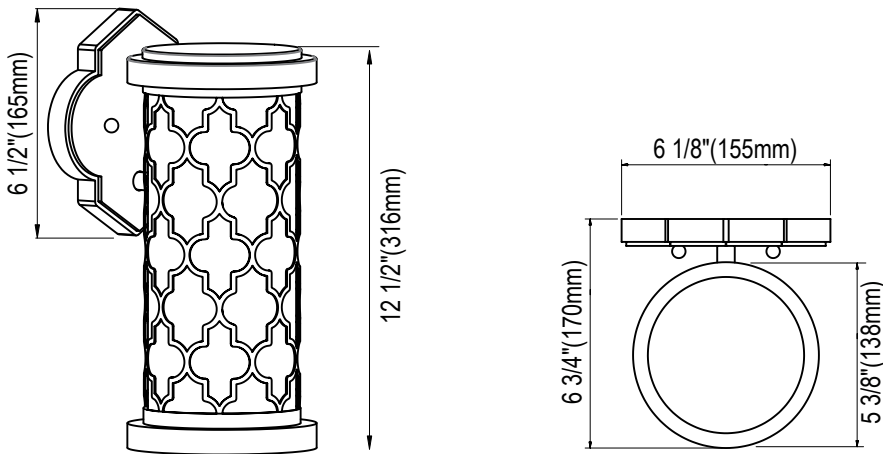
## ■ FEATURES

The Erato wall light combines galvanized steel with durable powder coat paint and opal glass in traditional lantern style with wire guard in beautiful patterns design to create delightful shadow patterns on adjoining wall surfaces and walkways.

## ■ Performance

Input Watts (LM-79 Reported)	12
Input Voltage	120V
Output Lumens (@3000K)	710
Dimming	Non dimming
Color Accuracy (CRI)	80
Working Temperature	-13-95°F (-25-35°C)

## ■ Dimensions & Weight



# ERATO LED WALL LIGHT

## ■ Ordering Information Example: ERA12304-BK

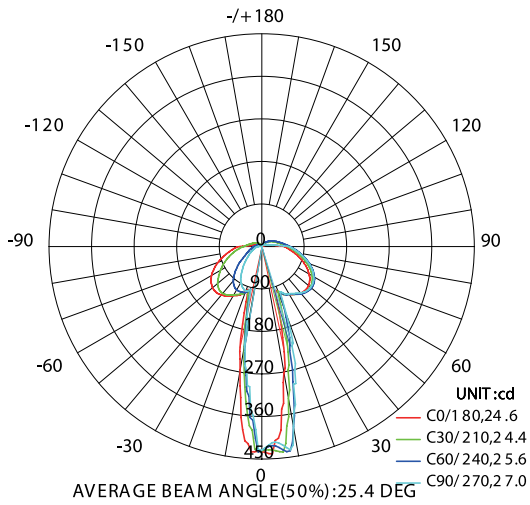
Model	Watts	CCT	Voltage	Controls	Finsh
ERA	12 - 12W	30 - 3000K	4-120	Blank - None	Blank - Black

Notice:

\* Black finish is standard. Custom color is available for a premium setup fee. Consult customer service for additional information.

## ■ Photometry

All published luminaire photometric testing performed to IESNA LM-79-08 standards by a NVLAP certified laboratory.





## ■ FEATURES

The Eudora wall light offers a sleek, clean profile. It combines aluminum construction with clean lines and right angles and glass shade. Designed for indoor/outdoor wall mount applications.

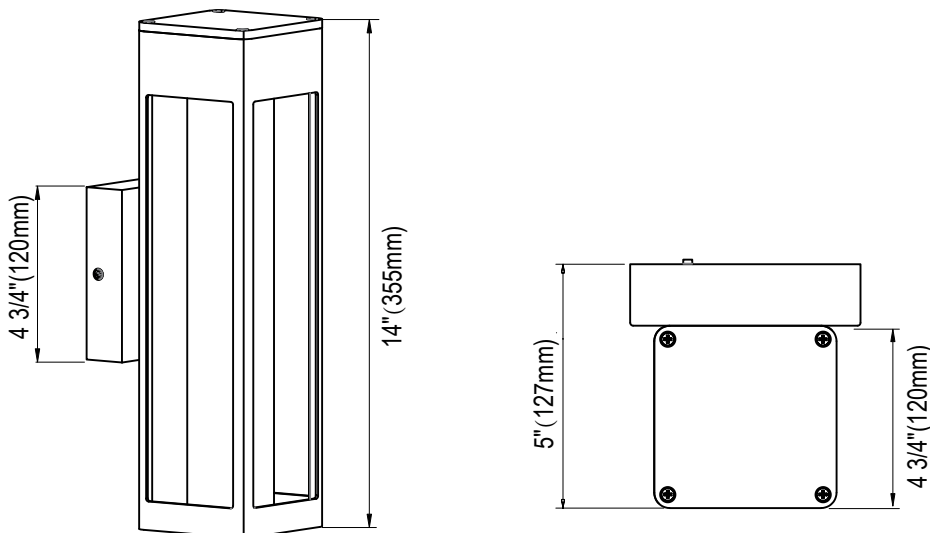
## ■ Performance

---

Input Watts (LM-79 Reported)	11
Input Voltage	120V
Output Lumens (@3000K)	700
Dimming	Non dimming
Color Accuracy (CRI)	80
Working Temperature	-13-95°F (-25-35°C)

---

## ■ Dimensions & Weight



# EUDORA LED Wall Light

## ■ Ordering Information Example: ERA12304-BK

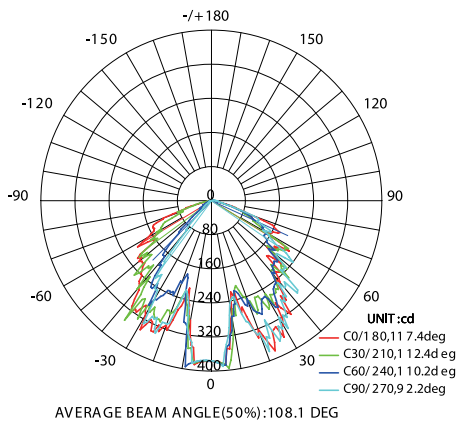
Model	Watts	CCT	Voltage	Controls	Finsh
EUD	11 - 11W	30 - 3000K	4-120	Blank - None	Blank - Black

Notice:

\* Black finish is standard. Custom color is available for a premium setup fee. Consult customer service for additional information.

## ■ Photometry

All published luminaire photometric testing performed to IESNA LM-79-08 standards by a NVLAP certified laboratory.





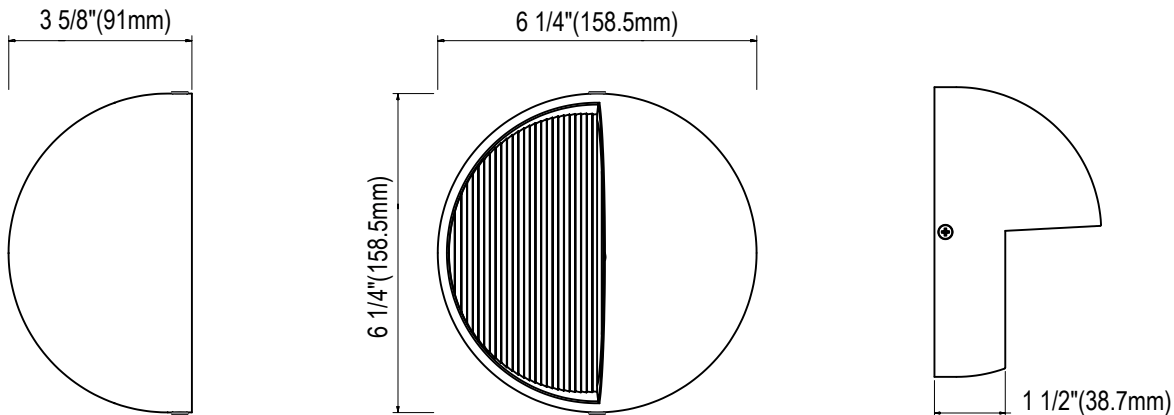
## ■ FEATURES

The Poulynoe wall light is designed in an architecture round shape and full cut-off design. It combines aluminium structure and glass lens in one integral beautiful streamlined shape. Suitable for both indoor and outdoor wall light application.

## ■ Performance

Input Watts (LM-79 Reported)	12
Input Voltage	120V
Output Lumens (@3000K)	280
Dimming	Non dimming
Color Accuracy (CRI)	80
Working Temperature	-13-95°F (-25-35°C)

## ■ Dimensions & Weight



# POULYNOE LED Wall Light

## ■ Ordering Information Example: ERA12304-BK

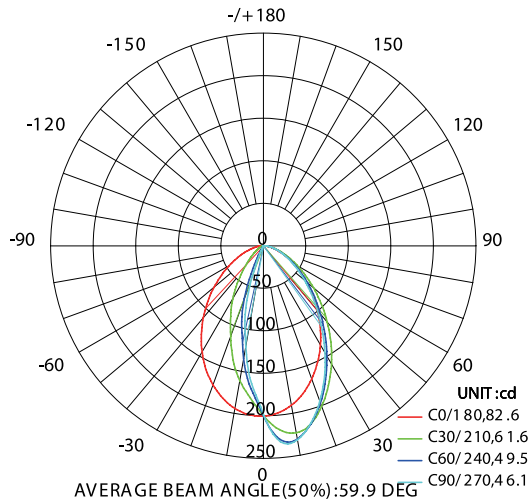
Model	Watts	CCT	Voltage	Controls	Finsh
POU	12 - 12W	30 - 3000K	4-120	Blank - None	Blank - Black

Notice:

\* Black finish is standard. Custom color is available for a premium setup fee. Consult customer service for additional information.

## ■ Photometry

All published luminaire photometric testing performed to IESNA LM-79-08 standards by a NVLAP certified laboratory.







## ■ FEATURES

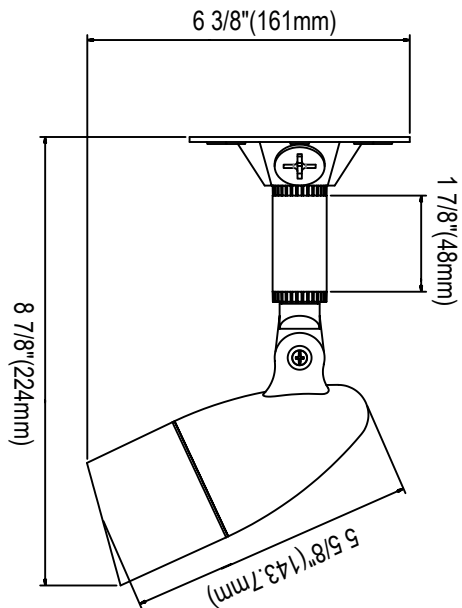
The Spot wall light is designed in a spot light shape. It combines aluminium structure and glass lens.

Swivel Knuckle can make angle adjustable, ideal for accent lighting.

## ■ Performance

Input Watts (LM-79 Reported)	10
Input Voltage	120V
Output Lumens (@3000K)	810
Dimming	Non dimming
Color Accuracy (CRI)	80
Working Temperature	-13-95°F (-25-35°C)

## ■ Dimensions & Weight



# SPOT LED Wall Light

## ■ Ordering Information Example: SPWL10304-BK

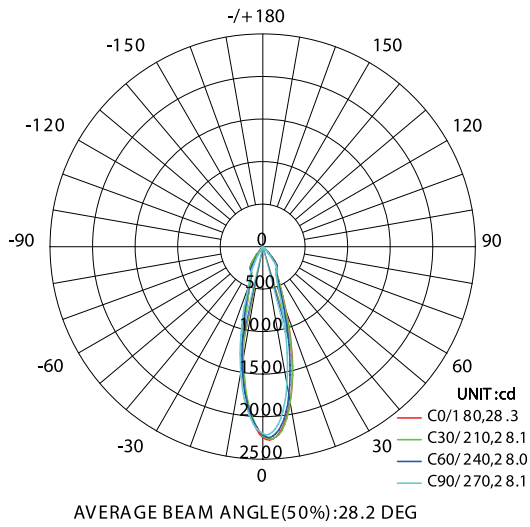
Model	Watts	CCT	Voltage	Controls	Finsh
SPWL	10 - 10W	30 - 3000K	4-120	Blank - None	Blank - Black

Notice:

\* Black finish is standard. Custom color is available for a premium setup fee. Consult customer service for additional information.

## ■ Photometry

All published luminaire photometric testing performed to IESNA LM-79-08 standards by a NVLAP certified laboratory.



# HORIZONTAL MINI LED Step Light



## ■ FEATURES

3W LED step/wall lights are available in a horizontal configuration for mounting into a Junction box. For poured concrete and masonry installations. For indoor and protected outdoor use..

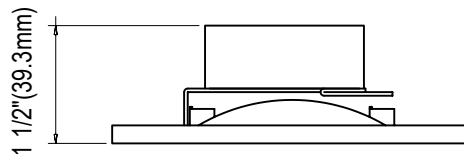
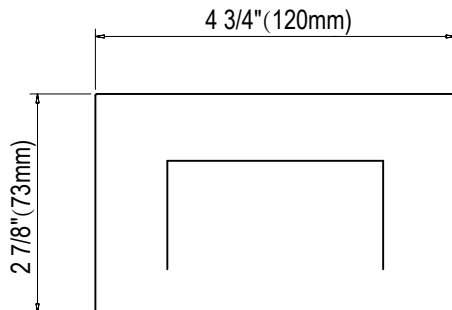
## ■ Performance

---

Input Watts (LM-79 Reported)	3
Input Voltage	120V
Output Lumens (@3000K)	100
Dimming	Non dimming
Color Accuracy (CRI)	80
Working Temperature	-13-95°F (-25-35°C)

---

## ■ Dimensions & Weight



# HORIZONTAL MINI LED Step Light

## ■ Ordering Information Example: HMSL03304-BK

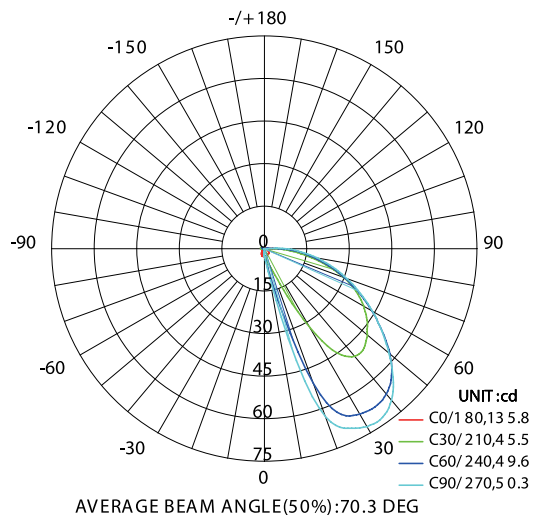
Model	Watts	CCT	Voltage	Controls	Finsh
HMSL	03 - 03W	30 - 3000K	4-120	Blank - None	Blank - Black

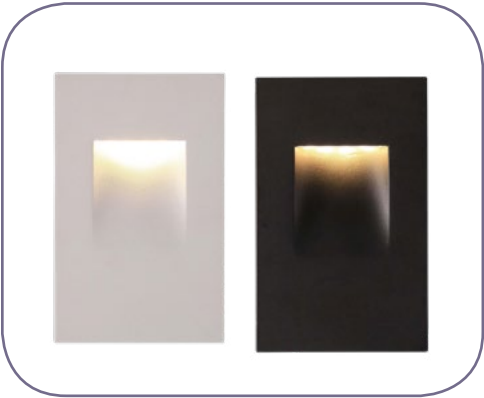
Notice:

\* Black finish is standard. Custom color is available for a premium setup fee. Consult customer service for additional information.

## ■ Photometry

All published luminaire photometric testing performed to IESNA LM-79-08 standards by a NVLAP certified laboratory.





■ FEATURES

3W LED step/wall lights are available in a horizontal configuration for mounting into a Junction box. For poured concrete and masonry installations. For indoor and protected outdoor use..

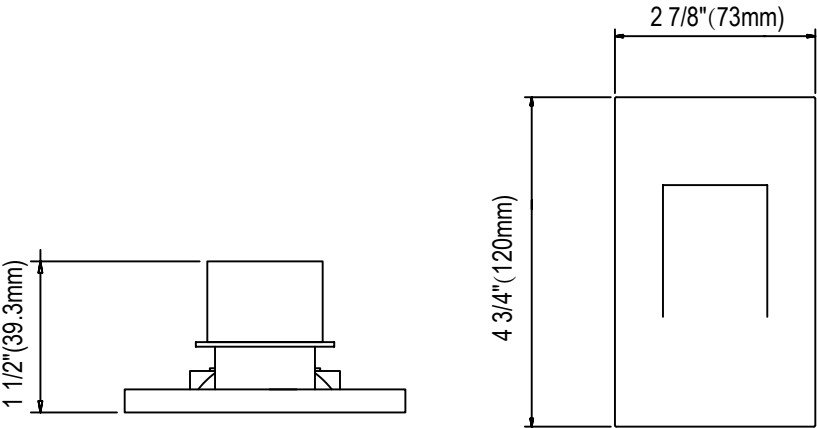
■ Performance

---

Input Watts (LM-79 Reported)	3
Input Voltage	120V
Output Lumens (@3000K)	80
Dimming	Non dimming
Color Accuracy (CRI)	80
Working Temperature	-13-95°F (-25-35°C)

---

■ Dimensions & Weight



# VERTICAL MINI LED Step Light

## ■ Ordering Information Example: VMSL03304-BK

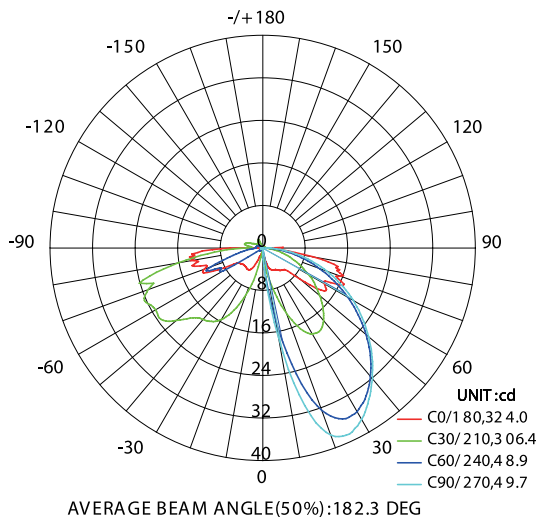
Model	Watts	CCT	Voltage	Controls	Finsh
VMSL	03 - 03W	30 - 3000K	4-120	Blank - None	Blank - Black

Notice:

\* Black finish is standard. Custom color is available for a premium setup fee. Consult customer service for additional information.

## ■ Photometry

All published luminaire photometric testing performed to IESNA LM-79-08 standards by a NVLAP certified laboratory.





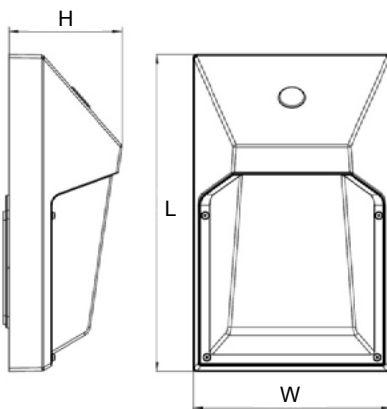
## ■ FEATURES

1. Slim Modern design
2. Integrated button photocell
3. Uniform color consistency
4. Super thin prismatic lens design to minimize the glare

## ■ Performance

Input Watts (LM-79 Reported)	9	13	26
Input Voltage	120V	120V	120V
Output Lumens (@ 5000K)	1215	1720	3460
Replaces (MH)	70W	100W	175-250W
Lumen Per Watt	135	133	133
Color Accuracy (CRI)	>80	>80	>80
Bug Rating	B0-U3-G1	B0-U3-G2	B0-U3-G3
Working Temperature	-40-104°F (-40-40°C)	-40-104°F (-40-40°C)	-40-104°F (-40-40°C)
IP Rating	IP65 rated	IP65 rated	IP65 rated

## ■ Dimensions & Weight



Length: 10.98"  
 Width: 6.84"  
 Height: 3.93"  
 Max. Weight: 3.39 lbs

# Architecture TR Security Light

## ■ Ordering Information Example: TRSEC14504

Transformer Series	Security Light	Watts	CCT	Voltage
TR	SEC	10-10W	30 - 3000K	1 - 120-277V
		14-14W	40 - 4000K	4 - 120V <sup>2</sup>
		24-24W	50 - 5000K	5 - 277V <sup>3</sup>

Notice:

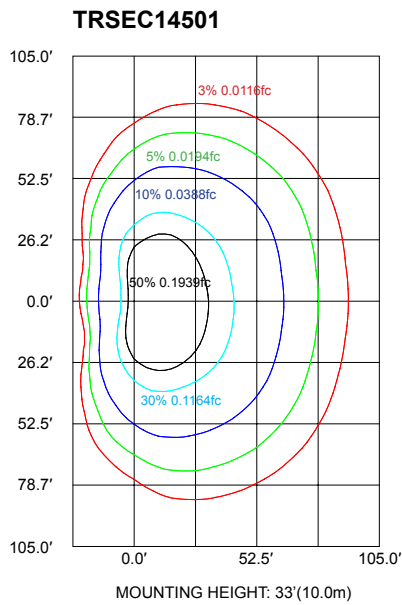
1. DLC Premium only for 5000K at present.
2. It is with 120V button photocell.
3. It is with 277V button photocell.

\* Bronze finish is standard. Custom color is available for a premium setup fee. Consult customer service for additional information.

## ■ Photometry

All published luminaire photometric testing performed to IESNA LM-79-08 standards by a NVLAP certified laboratory.

Mounting Height	10	12	15	18	20	25	33
Multiplier	10.9	7.6	4.9	3.4	2.8	1.8	1



**Note:** Please visit our website for more details.







## ■ FEATURES

1. Intergrated photocell
2. Uniform color consistency

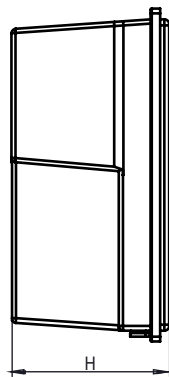
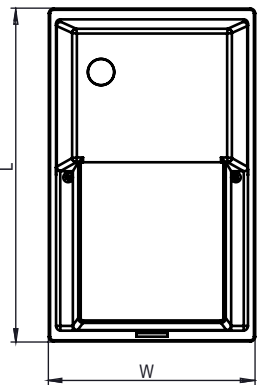
## ■ Performance

---

Input Watts (LM-79 Reported)	11.38
Input Voltage	120V
Output Lumens (@3000K)	1296
Replaces (MH)	70W
Lumen Per Watt	113.8
Color Accuracy (CRI)	>70
Bug Rating	B0-U3-G2
Working Temperature	-40-104°F (-40-40°C)
IP Rating	IP65 rated

---

## ■ Dimensions & Weight



Length: 10.9"  
Width: 6.8"  
Height: 5.2"  
Max. Weight: 3.39 lbs

# Traditional Security Light

## ■ Ordering Information Example: ABBSEC14504

ABOVE ALL	Security Light	Watts	CCT	Voltage
ABB	SEC	14 - 14 Watts	30 - 3000K 40 - 4000K 50 - 5000K	4 - 120V

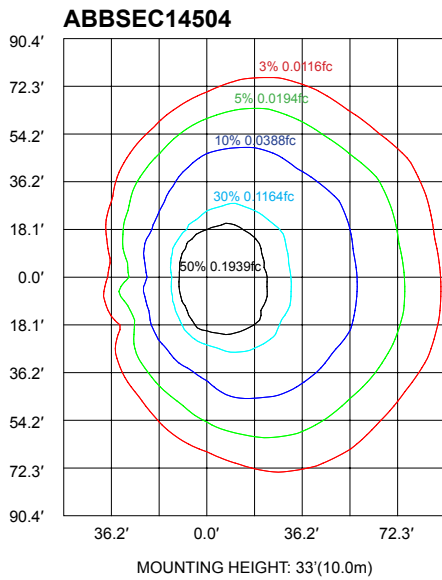
Notice:

\* Standard Finish as Dark Bronze. Special Order as other finish color - Please Ask Customer Service for Details.

## ■ Photometry

All published luminaire photometric testing performed to IESNA LM-79-08 standards by a NVLAP certified laboratory.

Mounting Height	10	12	15	18	20	25	33
Multiplier	10.9	7.6	4.9	3.4	2.8	1.8	1



Note: Please visit our website for more details.





AGING / TRANSPORTATION / ATTRACTIONS

Informational display board with multiple brochures and flyers.

Service counter with three telephone handsets.

Restrooms

## DLC P Glass V-Line Flood Light



### ■ FEATURES

- Tempered glass lens doesn't fade and discolor
- Photocontrol for available
- Glare shield and wire guard for option

### ■ Performance

Input Watts (LM-79 Reported)	25	41	52	80	101	121
Input Voltage	120-277	120-277	120-277	120-277	120-277	120-277
Output Lumens (@5000K)	3061	5100	6643	9619	12014	14185
Replaces (MH)	150W	175W	250W	320W	400W	400W
Lumen Per Watt	123	126	128	121	119	117
Color Accuracy (CRI)	>70	>70	>70	>70	>70	>70
Bug Rating	B1-U1-G0	B1-U1-G0	B1-U1-G1	B2-U1-G1	B2-U1-G2	B3-U2-G1
EPA	26W/38W/52W EPA= 0.69 max (depending on mounting type)			80W/100W/120W EPA=0.9 max (depending on mounting type)		
Working Temperature	-40-104°F (-40-40°C)			-40-104°F (-40-40°C)		
IP Rating	IP65 rated			IP65 rated		

### ■ Dimensions & Weight

<p><b>26W, 38W, 52W Trunnion</b>            Length: 10.63"(270mm)            Width: 9.17"(233mm)            Height: 8.47"(215mm)            Max. Weight: 12.5 lbs</p>	<p><b>26W, 38W, 52W Knuckle</b>            Length: 10.63"(270mm)            Width: 8.85"(225mm)            Height: 10.35"(263mm)            Max. Weight: 14 lbs</p>
<p><b>80W, 100W &amp; 120W Trunnion</b>            Length: 13.46"(342mm)            Width: 9.09"(231mm)            Height: 8.47"(215mm)            Max. Weight: 16.1 lbs</p>	<p><b>80W, 100W &amp; 120W Slip Fitter</b>            Length: 13.46"(342mm)            Width: 8.39"(210mm)            Height: 9.69"(246mm)            Max. Weight: 17.3 lbs</p>

### ■ Installation

#### OPTION 1: TRUNNION



#### OPTION 2: 1/2" X 14 NPS KNUCKLE MOUNTING

Knuckle only for 26W, 38W, & 52W



#### OPTION 3: SLIP FITTER

2-3/8" slip fitter is commonly used to 80W, 100W & 120W. Optional for 26W, 38W and 52W.



# DLC P Glass V-Line Flood Light

## Ordering Information Example: FL26504-PC-TR

Flood Light	Watts	CCT	Voltage	Controls	Installation
FL	26 - 26 Watts	30 - 3000K <sup>1</sup>	1 - 120-277V	PC - Photo Control <sup>3</sup>	SF - Slip Fitter <sup>4</sup>
	38 - 38 Watts	40- 4000K	4 - 120V		TR - Trunnion
	52 - 52 Watts	50 - 5000K	5 - 277V		KN - Knuckle <sup>5</sup>
	70 - 80 Watts		6 - 347V/ 480V <sup>2</sup>		
	100 - 100 Watts				
	120 - 120 Watts				

Notice:

- 3000K DLC Premium only qualified with 26W, 38W and 52W.
- 347V/480V input is unavailable in 26W and 38W.
- PC is only for 120V or 277V. Without PC, please choose 120-277V.
- 2-3/8" slip fitter is commonly used to 80W, 100W and 120W. Optional for 26W, 38W and 52W.
- 1/2" knuckle is only for 26W, 38W, and 52W.

\* Standard Finish as Dark Bronze. Special Order as other finish color - Please Ask Customer Service for Details.

## Accessories Information (Order Separately)



Glare shield-S1

3.5"Height

Suitable for V-line flood light

26W/38W/52W

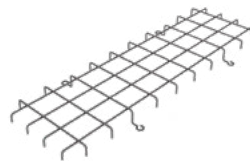


Glare shield-L1

3.5"Height

Suitable for V-line flood

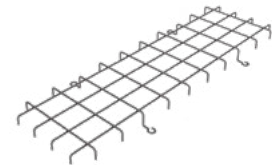
light 80W/100W/120W



V-Line FL Wire guard-S1

Suitable for V-Line flood light

26W/38W/52W



V-Line FL Wire guard-L1

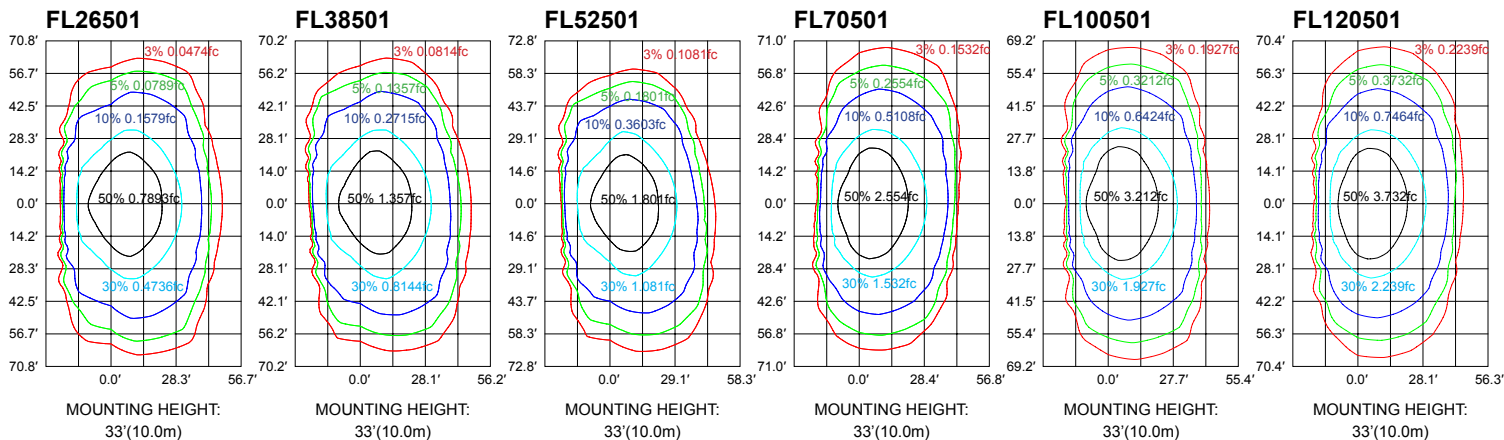
Suitable for V-Line flood light

80W/100W/120W

## Photometry

All published luminaire photometric testing performed to IESNA LM-79-08 standards by a NVLAP certified laboratory.

Mounting Height	10	12	15	18	20	25	33
Multiplier	10.9	7.6	4.9	3.4	2.8	1.8	1



Note: Please visit our website for more details.



## DLC P Architecture Leopard Series Mini Flood Light



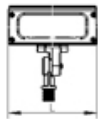
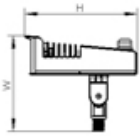
### ■ FEATURES

1. Up to 146 LPW
2. Tempered glass lens
3. Modern appearance with an exquisite structure

### ■ Performance

Input Watts (LM-79 Reported)	20	24
Input Voltage	120-277	120-277
Output Lumens (@5000K)	2920	3410
Replaces (MH)	100W	100W
Lumen Per Watt	146	142
Color Accuracy (CRI)	>70	>70
Bug Rating	B2-U2-G0	B2-U2-G0
Working Temperature	-40-104°F (-40-40°C)	-40-104°F (-40-40°C)
IP Rating	IP65 rated	IP65 rated

### ■ Dimensions



Length: 7.2"  
Width: 6.2"  
Height: 4.8"

### ■ Ordering Information

Example: MFW25504-KN

Name	Watts	CCT	Voltage	Controls	Installation
MFW	20 - 20 Watts	30 - 3000K	1 - 120-277V	PC - Photo Control <sup>1</sup>	KN - Knuckle
	25 - 25 Watts	40 - 4000K	4 - 120V		
		50 - 5000K	5 - 277V		

Notice:

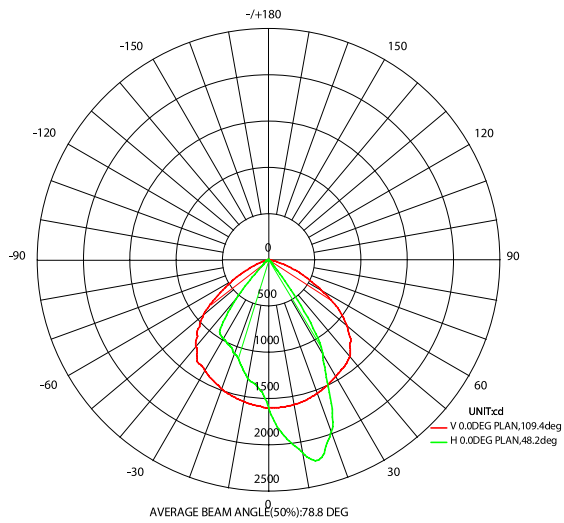
1. PC is only for 120V or 277V. Without PC, please choose 120-277V.

\* Bronze finish is standard. Custom color is available for a premium setup fee. Consult customer service for additional information.

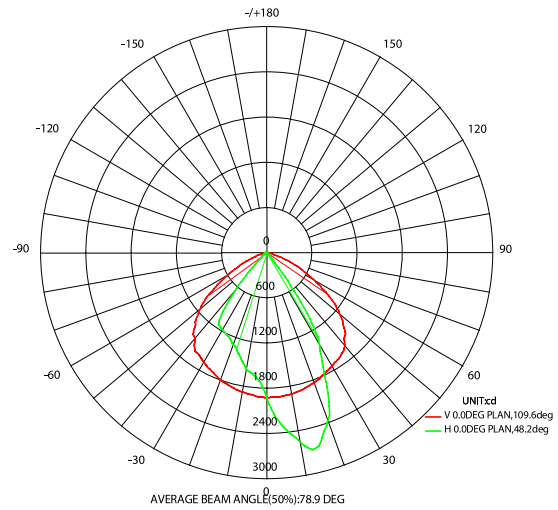
# DLC P Architecture Leopard Series Mini Flood Light

## ■ Photometry

All published luminaire photometric testing performed to IESNA LM-79-08 standards by a NVLAP certified laboratory.



**20W**



**25W**

Note: Please visit our website for more details.







## Selected Mini Flood Light



### ■ FEATURES

1. Die-cast aluminum housing
2. 3000K, 4000K and 5000K selectable
3. High efficiency up to 152LPW
4. Various mounting brackets
5. Silicon Gasket , IP65

### ■ Performance

Input Watts (LM-79 Reported)	10	26	50
Input Voltage	120-277	120-277	120-277
Output Lumens (@4000K)	1560	3900	7500
Lumen Per Watt	152	151	150
Color Accuracy (CRI)	>70	>70	>70
Working Temperature	-40-104°F (-40-40°C)	-40-104°F (-40-40°C)	-40-104°F (-40-40°C)
IP Rating	IP65 rated	IP65 rated	IP65 rated

### ■ Ordering Information Example: SMFL30-SW1-KN

Name	Watts	CCT	Voltage	Controls	Installation	Distribution	Finish	
SMFL	12 - 12 Watts	SW - Selectable White	1 - 120-277V	Blank - None	KN - Knuckle	Blank- 7H x 6V	Blank - Bronze	
	30 - 30 Watts	3000K/4000K/5000K <sup>1</sup>		PC - Button				TR - Trunion
	50 - 50 Watts			Photocell <sup>2</sup>				

Notice:

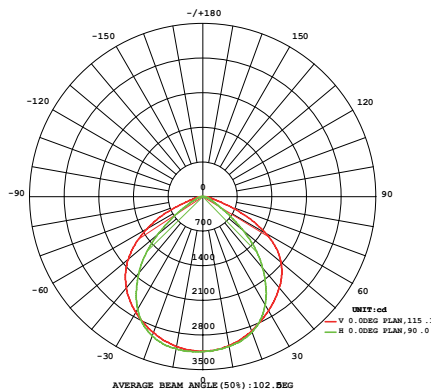
1. 4000K is default setting. If need other CCT please contact Customer Service in advance to change the setting in factory or change the setting in the field.

2. Photocell is not available for 12W.

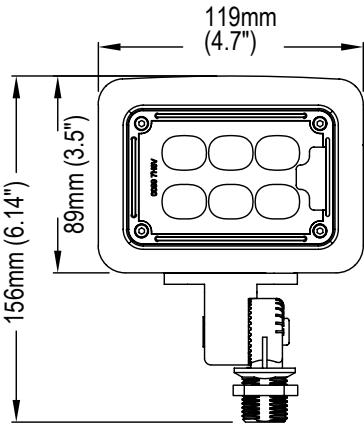
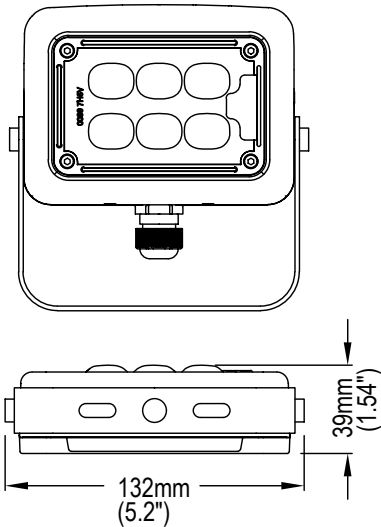
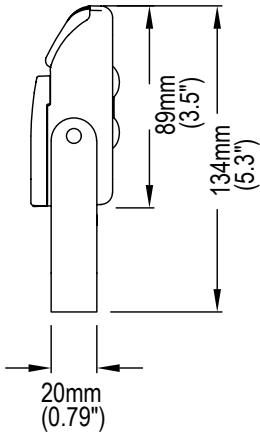
\* Bronze finish is standard. Custom color is available for a premium setup fee. Consult customer service for additional information.

### ■ Photometry

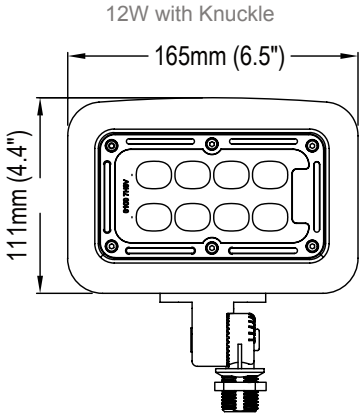
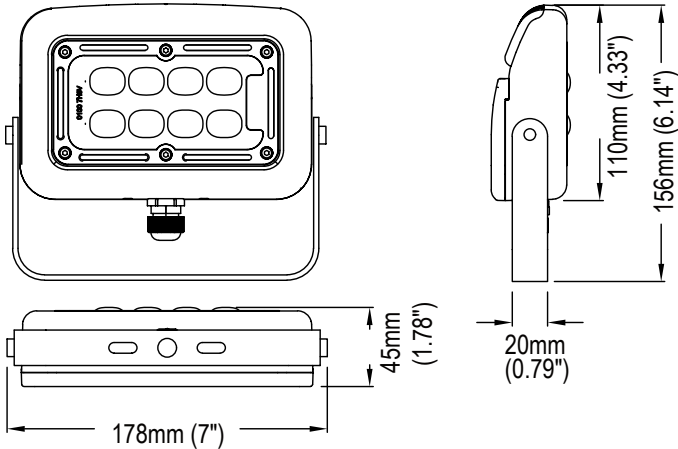
All published luminaire photometric testing performed to IESNA LM-79-08 standards by a NVLAP certified laboratory.



■ Dimensions

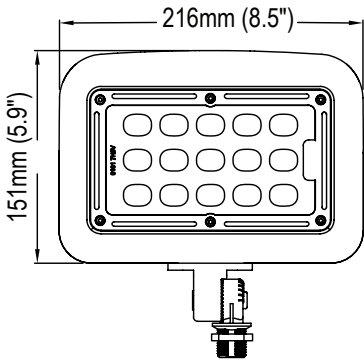
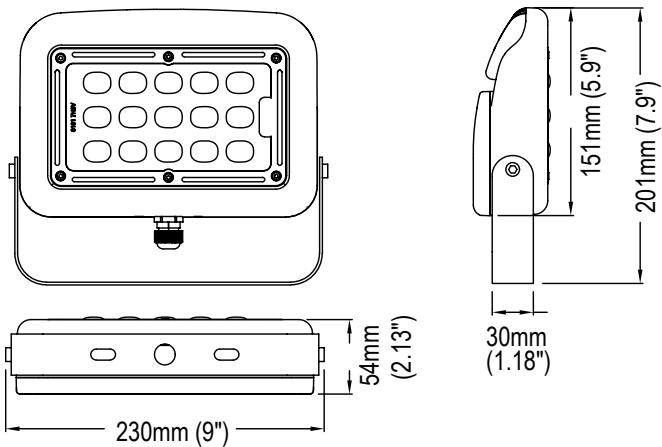


12W with Trunnion



12W with Knuckle

30W with Trunnion



30W with Knuckle

50W with Trunnion

50W with Knuckle





# DLC P Glass Lens MT Universal Light

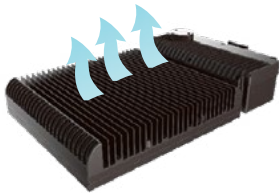


## ■ FEATURES

1. High efficacy, up to 145LPW
2. Special reflector design
3. Tempered glass lens
4. Quick and easy installation

## ■ Performance

Input Watts (LM-79 Reported)	91	139	173
Input Voltage	120-277	120-277	120-277
Output Lumens (@4000K)	13200	18900	21800
Replaces (MH)	400W	600W	800W
Lumen Per Watt	145	136	126
Color Accuracy (CRI)	70	70	70
Bug Rating	MT100501-III B3-U0-G2 MT100501-VW B3-U0-G2	MT150501-III B3-U0-G2 MT150501-VW B4-U0-G2	MT200501-III B3-U0-G2 MT200501-VW B4-U0-G2
EPA	EPA=1.46 max (depending on mounting type)		
Working Temperature	-40-104°F (-40-40°C)	-40-104°F (-40-40°C)	-40-104°F (-40-40°C)
IP Rating	IP66 rated	IP66 rated	IP66 rated



High quality die cast housing  
Superior thermal management



Multi-level Motion Sensor



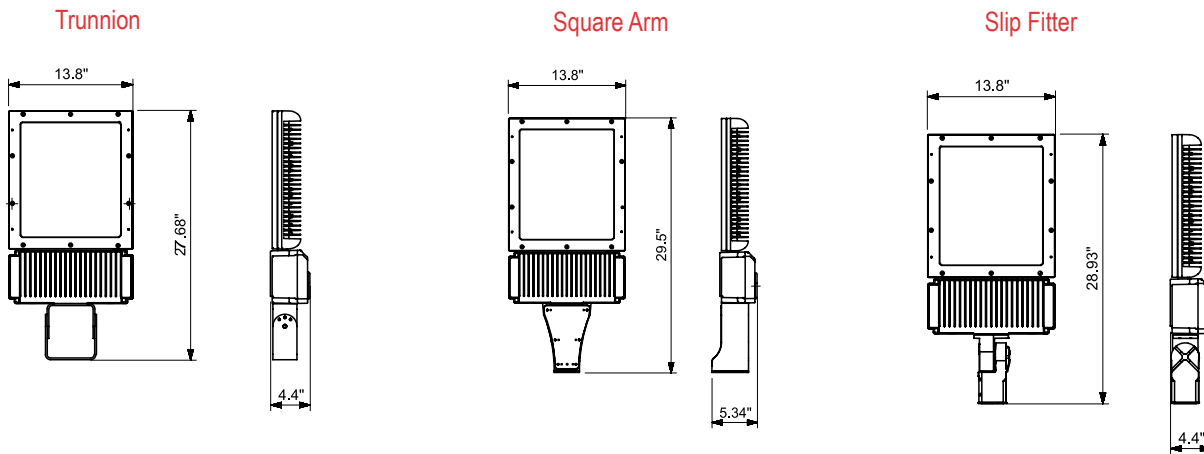
Standard Twistlock photocell



Multiple mounting options.  
Trunnion option, slip fitter, wall mounted, pole mounted

# DLC P Glass Lens MT Universal Light

## ■ Dimensions & Weight



## ■ Ordering Information Example: MT150501-PC-VW

MT	Watts	CCT	Voltage	Controls	Installation	Distribution	Finish
MT	100 - 91 Watts	30 - 3000K	1 - 120-277V	Blank - None	Blank - Without	III - Type III	Blank - Dark Bronze
	150 - 139 Watts	40 - 4000K	2 - 347V <sup>1</sup>	MS-L7B - Motion Sensor	Mounting Brackets	IV - Type IV	AL - Aluminum Silver <sup>6</sup>
	200 - 173 Watts	50 - 5000K	3 - 480V <sup>2</sup>	with Black L7 Lens <sup>4</sup>	<b>Ordered separately<sup>7</sup></b>	VW - Type V Wide	
			6 - 347V/480V <sup>3</sup>	PC - Photoelectric Control	AR - Arm for	VN - Type V Narrow	
				7P - 7 Pin PE Receptacle <sup>5</sup>	Square Pole	VM - Type V Middle	
					TR - Trunnion		
					SF - Slip Fitter		

Note:

- 347V is only used with photoelectric control .
- 480V is only used with photoelectric control.
- If choose 347/480V, please do not choose photoelectric control.
- The standard MS L7 lens is suitable for the mounting height of 6m (20ft) and higher. Lead time for motion sensor is long please check with Customer Service in advance.
- Shorting cap included.
- Dark bronze finish is standard. Custom color is available for a premium setup fee. Consult customer service for additional information.
- Mounting Brackets need to be bought separately and field installed.

# DLC P Glass Lens MT Universal Light

## ■ Accessories Information (Ordered separately/field install)



**90062**

MT-Arm for Square Pole



**90046**

MT-Slip fitter



**90055**

MT-Trunnion



**90048**

MT- Round Pole Adapter



**90175**

MT-SS

Side shield for 100W,  
150W, 200W



**90176**

MT-RS

Rear shield for 100W,  
150W, 200W

### Note:

Side shield can be assembled on right or left side of fixture.



• **MT with** right side shield



• **MT with** left side shield

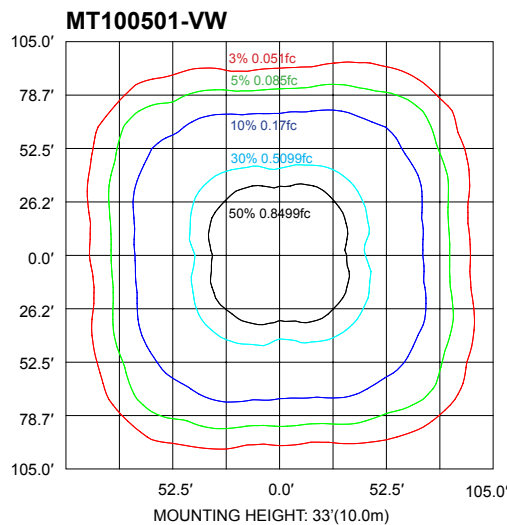
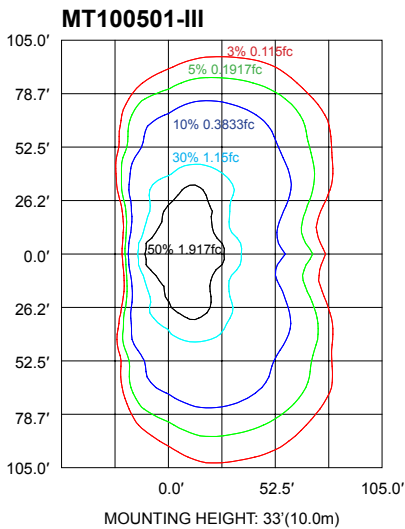


• **MT with** rear side shield

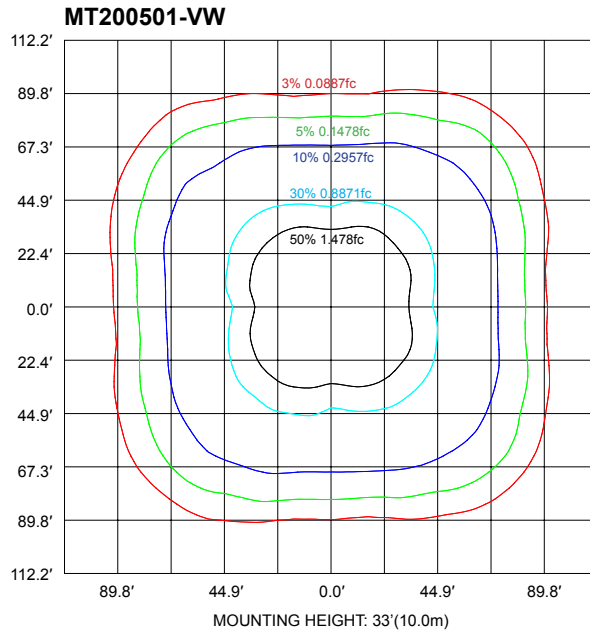
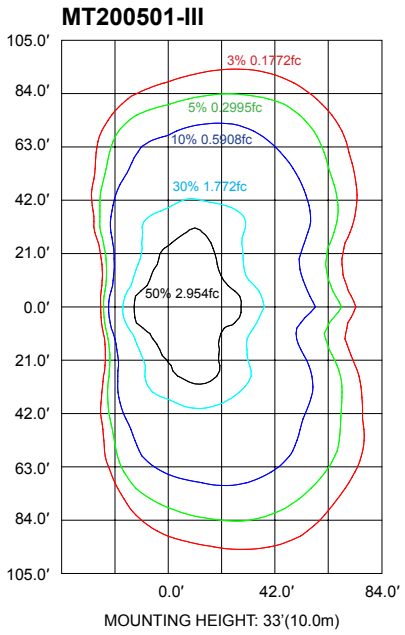
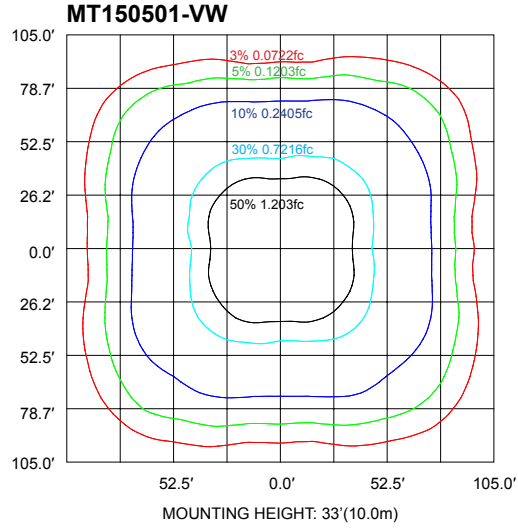
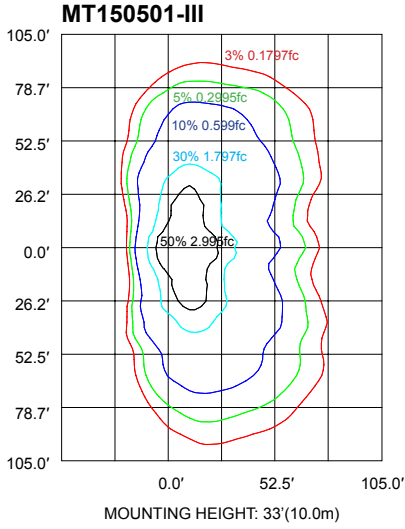
## ■ Photometry

All published luminaire photometric testing performed to IESNA LM-79-08 standards by a NVLAP certified laboratory.

Mounting Height	10	12	15	18	20	25	33
Multiplier	10.9	7.6	4.9	3.4	2.8	1.8	1



# DLC P Glass Lens MT Universal Light



**Notes:**

1. Twistlock photocell is IP65







## ■ FEATURES

1. Low profile design, minimizing wind load.
2. Heavy duty construction with die casting aluminum housing.
3. Polycarbonate with tempered glass lens doesn't fade and discolor.
4. Versatile mounting options for square pole, round pole and wall mounting.
5. Option of controls for maximum energy savings.
6. Full distributions to cover various applications.
7. Integral 10kV surge suppression protection.

## ■ Performance

Input Watts (LM-79 Reported)	42	62	75W	85W
Input Voltage	120-277	120-277	120-277	120-277
Output Lumens (@4000K)	5155	7200	8862	10285
Replaces (HPS)	70 -100W	100 -150W	150 -200W	150W
Lumen Per Watt	123	116	118	121
Color Accuracy (CRI)	>70	>70	>70	>70
Dist. Type	TypeIII	TypeIII	TypeIII	TypeIII
EPA	with Arm, EPA = 0.53 ft <sup>2</sup>	with Slipfitter, EPA = 0.55 ft <sup>2</sup>	with Trunnion, EPA = 0.47 ft <sup>2</sup>	with Wall Bracket, EPA = 0.324ft <sup>2</sup>
Working Temperature	-40-122°F (-40-50°C)	-40-122°F (-40-50°C)	-40-122°F (-40-50°C)	-40-122°F (-40-50°C)
IP Rating	IP66 rated	IP66 rated	IP66 rated	IP66 rated

## ■ Installation



**Arm Mount**



**Trunnion Mount**



**Slipfitter Mount**



**Wall Mount**



**SMT with right side shield**

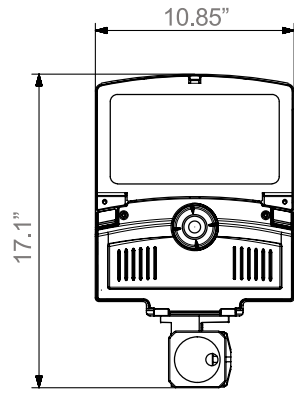


**SMT with left side shield**

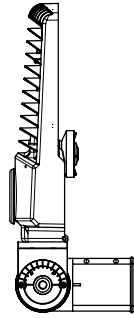
# SMT LED Area Light

## ■ Dimensions & Weight

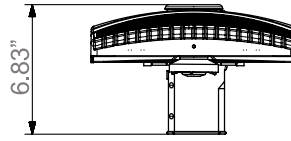
### Slipfitter Mount



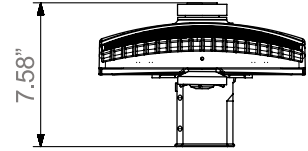
FACE VIEW



SIDE VIEW

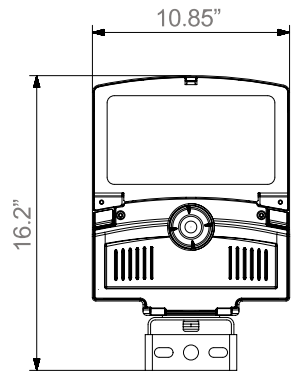


FRONT VIEW

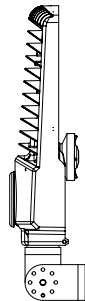


FRONT VIEW  
WITH RECEPTACLE

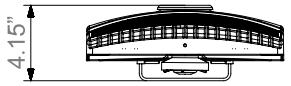
### Trunnion Mount



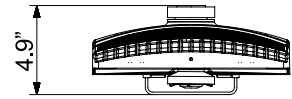
FACE VIEW



SIDE VIEW

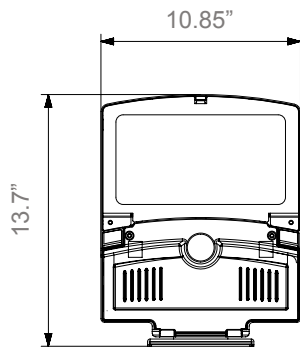


FRONT VIEW

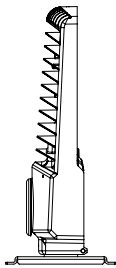


FRONT VIEW  
WITH RECEPTACLE

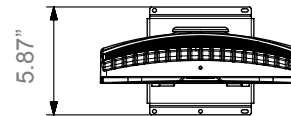
### Wall Mount



FACE VIEW



SIDE VIEW



FRONT VIEW

■ Ordering Information

Example: SMT40401-7P-SAR-T2

SMT	Watts	CCT	Voltage	Control	Installation	Distribution	Finish
SMT	40 - 40W	30 - 3000K	1 - 120-277V	Blank - None	SAR - Square	T2 - Type II	Blank - Dark
	60 - 60W	40 - 4000K	2 - 347V <sup>1</sup>	MS-L3B - Wattstopper	Pole Arm <sup>7</sup>	T3 - Type III	Bronze
	80 - 80W	50 - 5000K	3 - 480V <sup>2</sup>	Motion Sensor with	TR - Trunnion	T4 - Type IV	AL -
	85 - 85W		6 - 347/480 <sup>3</sup>	Black L3 Lens <sup>4</sup>	SF - Slip Fitter <sup>6</sup>	T5 - Type V	Aluminum
				PC - Photoelectric Control	WM - Wall Mount		Silver
				7P - 7 Pin PE Receptacle <sup>5</sup>			

Notes:

- 347V is only used with photoelectric control .
  - 480V is only used with photoelectric control.
  - 347/480 is available for 60W/75W/85W. If for 40W, it is 120-347V. Besides, 347/480V is not available for photoelectric control.
  - The standard MS L3 lens is suitable for the mounting height of 20ft (6m) Max. If higher than 20ft (6m), please contact Customer Service to choose L7 lens. Motion sensor is NOT available for 40W with 347/480V.
  - Shorting cap included.
  - The slip fitter fits a 2 3/8" O.D. tenon or pole.
  - If for round pole mount, a separate round pole adapter need to be bought. Please check the following accessory table for details.
- \* Bronze finish is standard. Custom color is available for a premium setup fee. Consult customer service for additional information.

Approximate Net Weight	10 lbs
Dimension W/O Mounting Brackets (L*W*H):	13.20"*10.85"*3.20"
Effective Project Area (EPA)	-with Arm, EPA = 0.53 ft <sup>2</sup>
	-with Slipfitter, EPA = 0.55 ft <sup>2</sup>
	-with Trunnion, EPA = 0.47 ft <sup>2</sup>
	-with Wall Bracket, EPA=0.324ft <sup>2</sup>

■ Accessories Information (Ordered separately/field install)



**90405**  
SMT-RSS  
Right side shield for SMT



**90406**  
SMT-LSS  
Left side shield for SMT

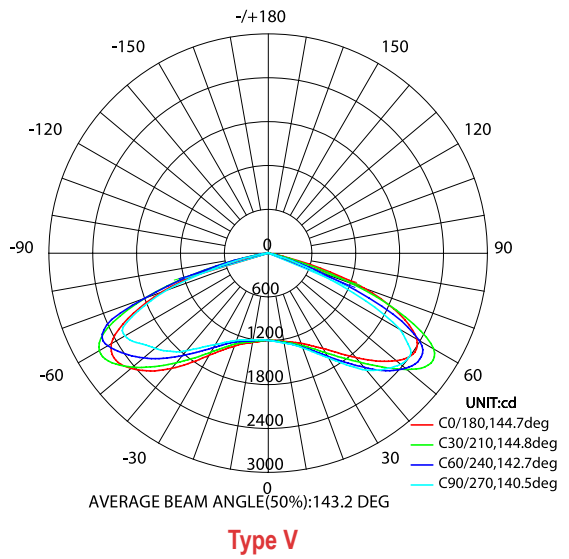
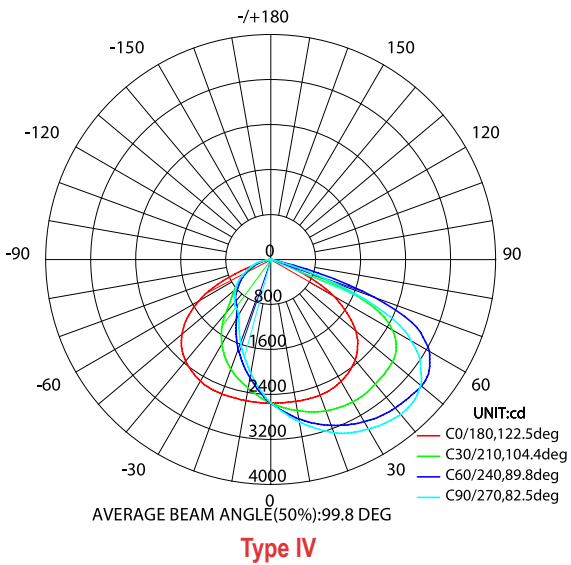
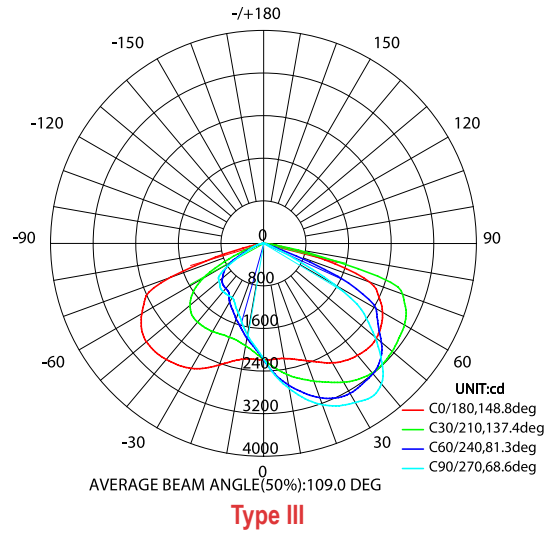
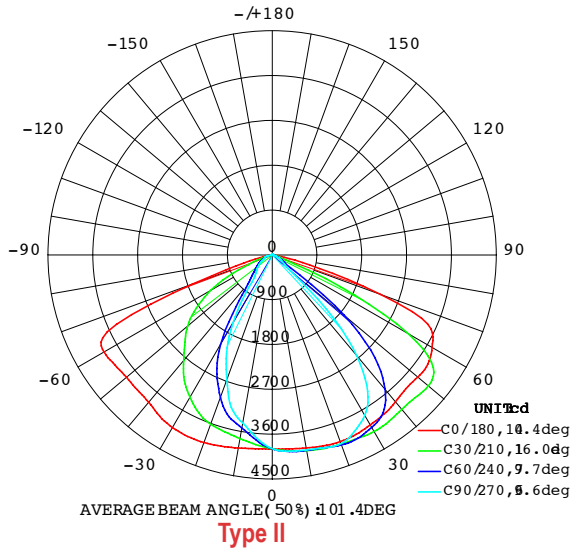


**90204**  
SMT-RPA  
Round pole adapter for SMT

# SMT LED Area Light

## ■ Photometry

All published luminaire photometric testing performed to IESNA LM-79-08 standards by a NVLAP certified laboratory.



Note: Please visit our website for more details.





# Sky Light



## ■ FEATURES

1. IES distribution Types II, III & V
2. Slip Fitter, trunnion, arm mount
3. PHOTOCCELL, SENSOR, 7pin receptacle
4. 10kA surge protection include

## ■ Performance

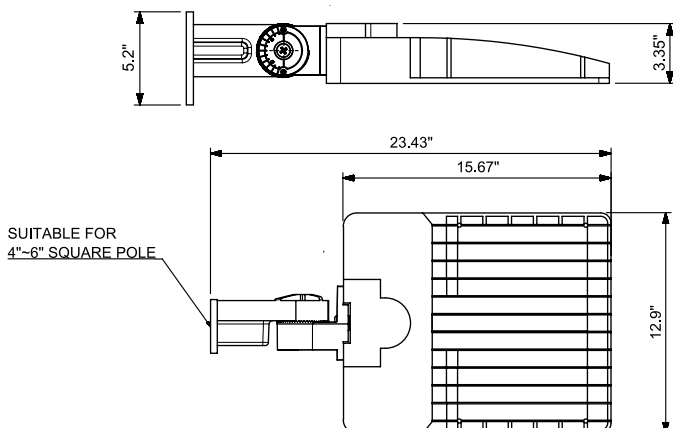
Input Watts (LM-79 Reported)	94	150	310
Input Voltage	120-277	120-277	120-277
Output Lumens (@5000K)	12,860	19,500	40,600
Replaces (HPS)	150-175W	250-400W	750-1000W
Lumen Per Watt	137	130	131
Color Accuracy (CRI)	>70	>70	>70
Dist. Type	TypeV	TypeV	TypeV
Working Temperature	-40-104°F (-40-40°C)	-40-104°F (-40-40°C)	-40-104°F (-40-40°C)
IP Rating	IP65 rated	IP65 rated	IP65 rated

## Effective Project Area

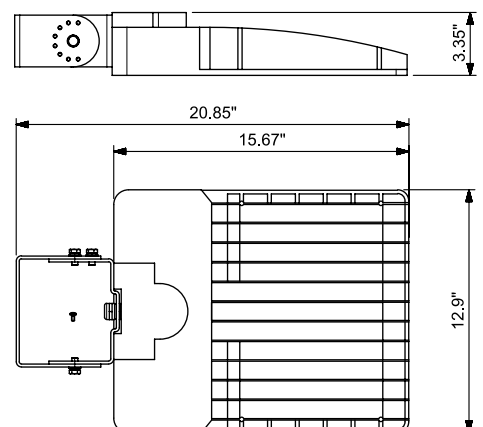
Mounting Arm	Tilt Angle	300W	100W/150W
SAR/RAR/SF/TR	0°	0.75ft²	0.57ft²
	10°	0.75ft²	0.57ft²
SF/TR	20°	1.19ft²	0.69ft²
	30°	1.65ft²	0.97ft²
	40°	2.06ft²	1.17ft²
	50°	2.41ft²	1.35ft²

## ■ Dimensions & Weight

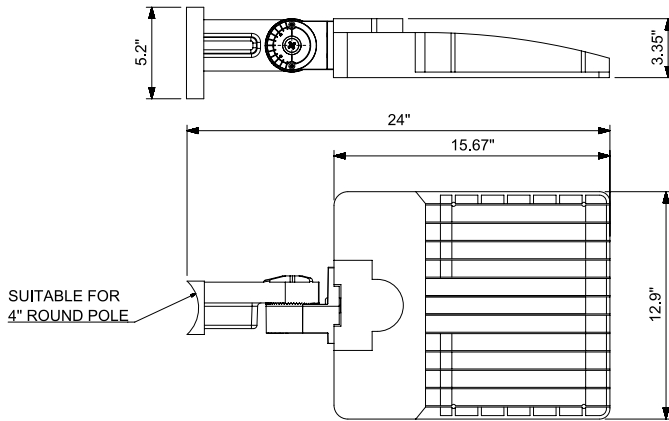
### 100W/150W Slip Fitter (SF)



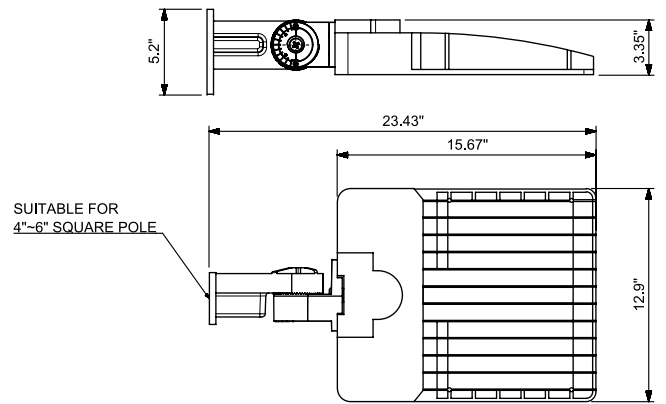
### 100W/150W Trunnion (TR)



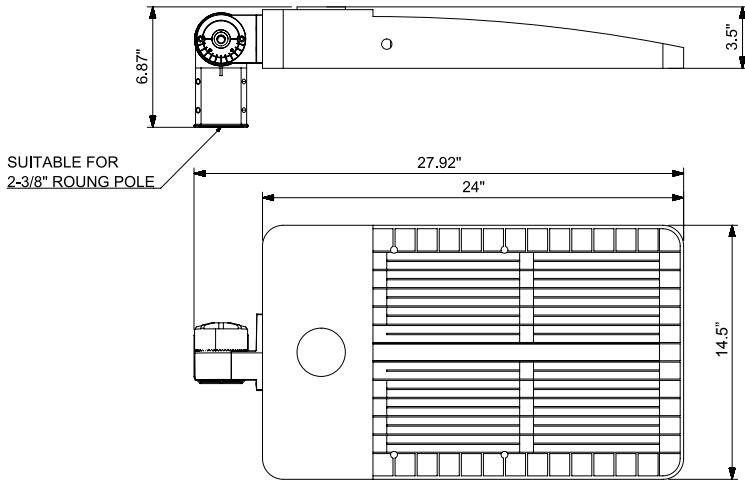
100W/150W Round Pole Arm (RAR)



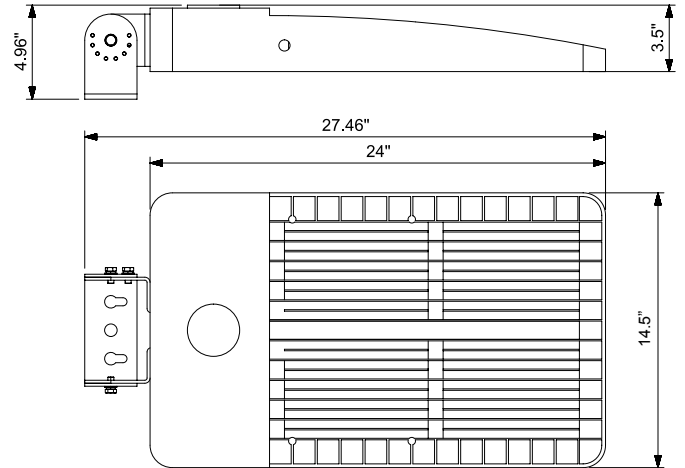
100W/150W Square Pole Arm (SAR)



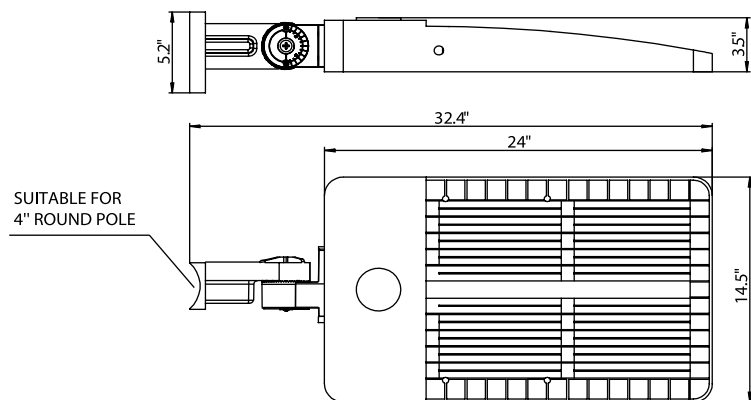
300W Slip Fitter (SF)



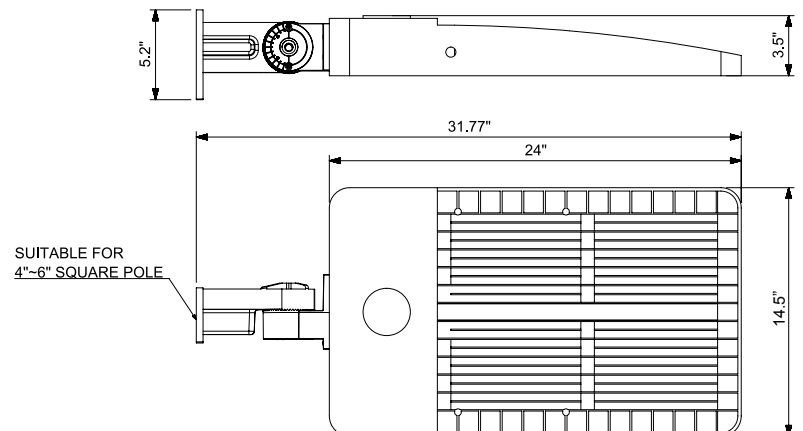
300W Trunnion (TR)



300W Round Pole Arm (RAR)



300W Square Pole Arm (SAR)



## Ordering Information

Example: SL300501-II

Sky Light	Watts	CCT	Voltage	Controls	Distribution	Finish
SL	100 - 100 Watts	30 - 3000K	1 - 120-277V	Blank - None	II - Type II	Blank - Dark
	150 - 150 Watts	40 - 4000K	2 - 347V <sup>2</sup>	PC - Photoelectric Control	III - Type III	Bronze
	300 - 300Watts	50 - 5000K	3 - 480V <sup>3</sup>	7P - 7 Pin PE Receptacle	V - Type V	AL - Aluminum
			6 - 347V/480V <sup>4</sup>	MS-L7B - Motion Sensor with Black L7 Lens <sup>1</sup>		Silver
				MS-L7W - Motion Sensor with White L7 Lens <sup>1</sup>		

Note:

1. Motion sensor is only for 120-277V. No inventory for products with Motion sensor. If need products with Motion sensor please check lead time with Customer Service in advance.
2. 347V is only used with photoelectric control .
3. 480V is only used with photoelectric control.
4. If choose 347/480V, please do not choose photoelectric control

\* Standard Finish as Dark Bronze. Special Order as other finish color - Please Ask Customer Service for Details.

## Accessories Information (Order Separately)



**SL-SAR**  
Sky light Square pole Arm



**SL-RAR**  
Sky light Round pole Arm



**SL-SF**  
Sky light Slip Fitter

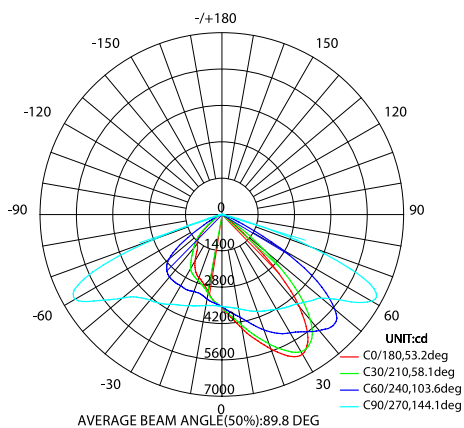


**SL-TR**  
Sky light Trunnion

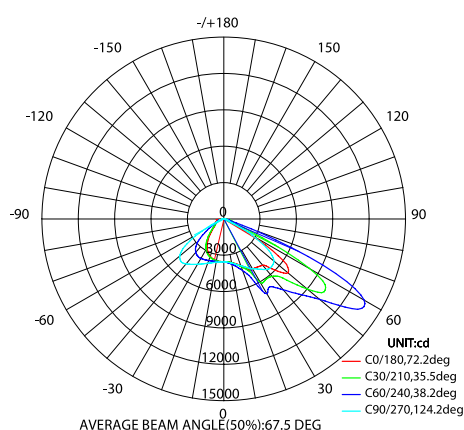
## Photometry

All published luminaire photometric testing performed to IESNA LM-79-08 standards by a NVLAP certified laboratory.

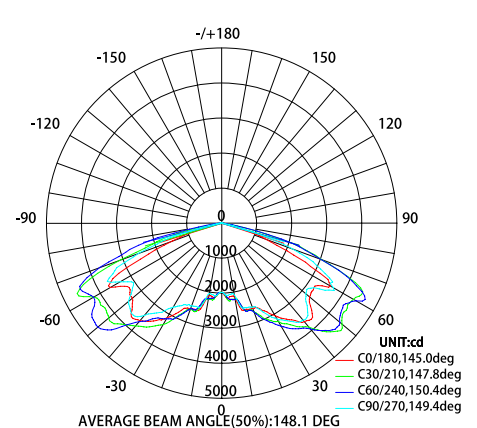
### Type II



### Type III



### Type V







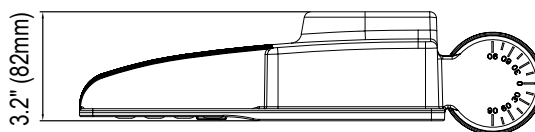
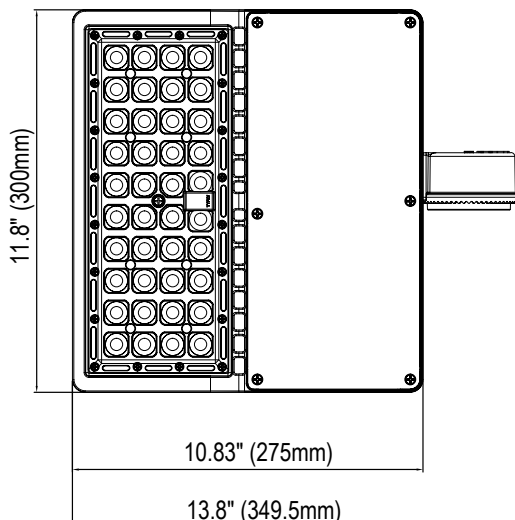
## ■ FEATURES

1. High efficiency up to 155LPW
2. IES distribution Types II, III, IV& V
3. Various mounting options
4. Photocell, sensor, 7pin receptacle
5. 10kA surge protection included

## ■ Performance

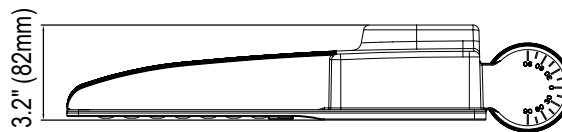
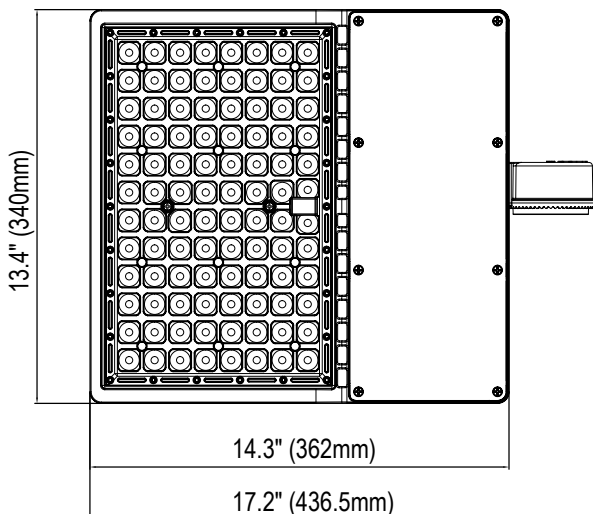
Input Watts (LM-79 Reported)	100W	149W	200W
Input Voltage	120-277	120-277	120-277
Output Lumens (@5000K)	15,000	22,500	31,000
Replaces (HPS)	175W	250W	400W
Lumen Per Watt	150	151	155
Color Accuracy (CRI)	>70	>70	>70
Dist. Type	TypeV	TypeV	TypeV
Working Temperature	-40-104°F (-40-40°C)	-40-104°F (-40-40°C)	-40-104°F (-40-40°C)
IP Rating	IP65 rated	IP65 rated	IP65 rated
Input Watts (LM-79 Reported)	240W	299W	
Input Voltage	120-277	120-277	
Output Lumens (@5000K)	35,760	43,950	
Replaces (HPS)	750W	1000W	
Lumen Per Watt	149	147	* The test results are based on initial stage and with AC277V input.
Color Accuracy (CRI)	>70	>70	* For 4000K fixtures, use 0.94 multiplier; For 3000K fixtures, use 0.90 multiplier.
Dist. Type	TypeV	TypeV	
Working Temperature	-40-104°F (-40-40°C)	-40-104°F (-40-40°C)	
IP Rating	IP65 rated	IP65 rated	

## ■ Dimensions & Weight

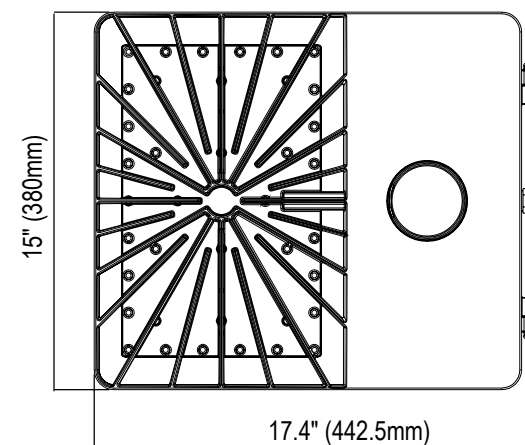
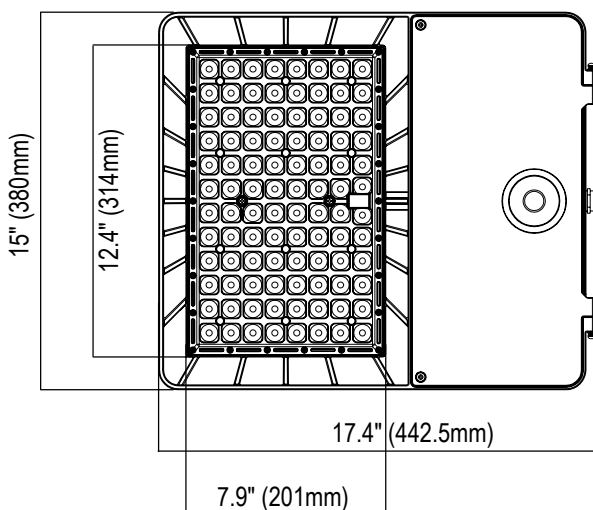


100W/150W

## Array LED Area Light

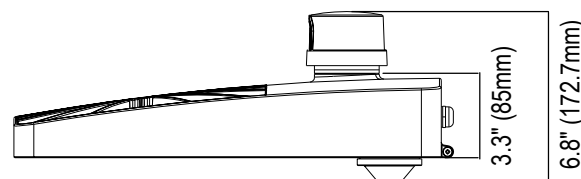


200W/240W



15" (380mm)

17.4" (442.5mm)



300W

### Ordering Information

Example: ARY100501-IV

Name	Watts	CCT	Voltage	Controls	Distribution	Finish
ARY	100 - 100 Watts	30 - 3000K	1 - 120-277V	Blank - None	II - Type II	Blank - Dark
	150 - 150 Watts	40 - 4000K	6 - 347V/480V <sup>1</sup>	PC - Photoelectric Control	III - Type III	Bronze
	200 - 200 Watts	50 - 5000K		7P - 7 Pin PE Receptacle	IV - Type IV	AL - Aluminum
	240 - 240 Watts			MSW - Microwave Motion	V - Type V	Silver
	300 - 300Watts			Sensor <sup>2</sup>		

Note:

1. If choose 347/480V, please do not choose photoelectric control.
2. Motion sensor is only for 120-277V.\*

\*Bronze finish is standard. Custom color is available for a premium setup fee. Consult customer service for additional information.



## ■ Accessories Information (Order Separately)



**ARY-S/RAR-S**  
Square and Round pole Arm  
for 100/150/200/240W Array  
Area Light



**ARY-SF-S**  
Slip Fitter for  
100/150/200/240W  
Array Area Light



**ARY-SAR-L**  
Square pole Arm for  
300W Array Area Light



**ARY-RAR-L**  
Round pole Arm for  
300W Array Area Light



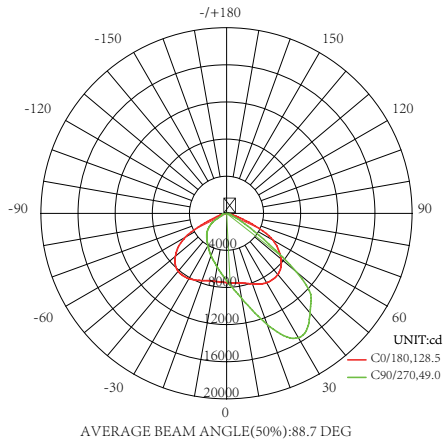
**ARY-SF-L**  
Slip Fitter for 300W  
Array Area Light



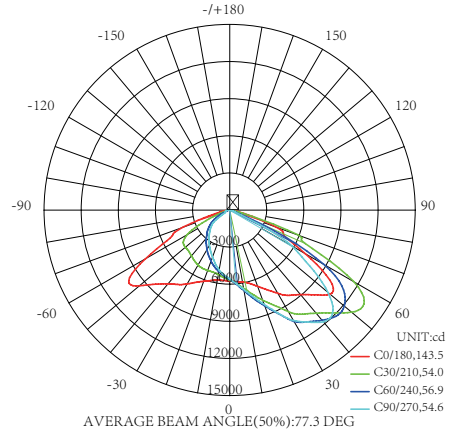
**ARY-TR-L**  
Trunnion for 300W  
Array Area Light

## ■ Photometry

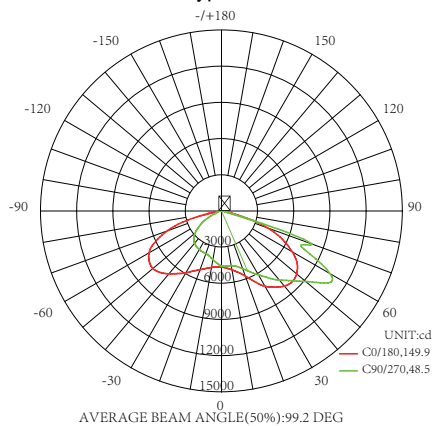
All published luminaire photometric testing performed to IESNA LM-79-08 standards by a NVLAP certified laboratory.



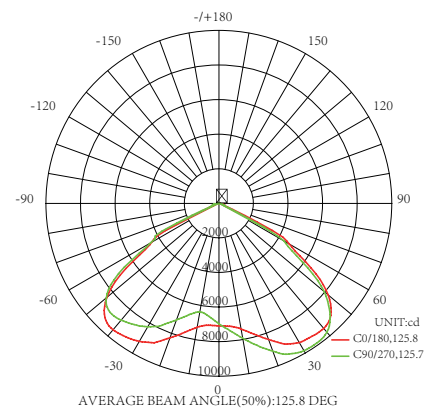
**Type II**



**Type III**



**Type IV**



**Type V**

## Standard LED Bollards



### ■ FEATURES

1. Dome, flat and peak tops for option
2. High quality extrusion aluminum body
3. Stainless steel silicone rubber sealing
4. IP 66 rated for wet location

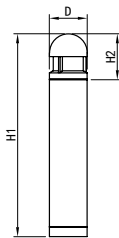
### ■ Performance

Input Watts (LM-79 Reported)	24
Input Voltage	120-277
Output Lumens (@4000K)	2500
Replaces (MH)	70-100W
Lumen Per Watt	104
Color Accuracy (CRI)	>70
Working Temperature	-40-104°F (-40-40°C)
IP Rating	IP65 rated

### ■ Dimensions & Weight

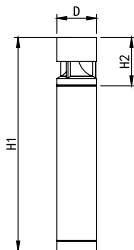
#### Dome Top

D: 7.90"  
 H1: 42.10"  
 H2: 9.53"  
 Max Weight: 18.3lbs



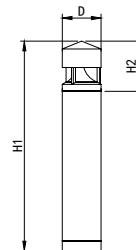
#### Flat Top

D: 7.90"  
 H1: 42.10"  
 H2: 9.53"  
 Max Weight: 18.3lbs



#### Peak Top

D: 7.90"  
 H1: 42.10"  
 H2: 10.08"  
 Max Weight: 18.3lbs



## Ordering Information

Example: DB24401-V

Top	Watts	CCT	Voltage	Controls	Distribution	Lens	Finish
DB = Dome Top Bollard <sup>1</sup>	24 - 24W	30 - 3000K <sup>2</sup>	1 - 120-277V	Blank - None	V - Type V	Blank - PC clear lens	Blank - Dark Bronze
FB = Flat Top Bollard		40 - 4000K					
PB = Peak Top Bollard		50 - 5000K					

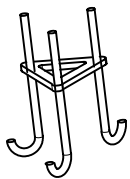
Note:

1. DLC is only available for Dome Top.

2. DLC is not available for 3000K.

\* Bronze finish is standard. Custom color is available for a premium setup fee. Consult customer service for additional information.

## Accessories Information (Order Separately)



**90245**

**ABMK01**

Anchor bolt (M10) mounting kits for standard bollard



**90541**

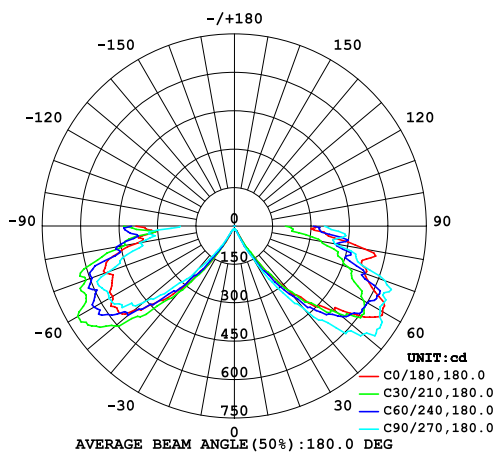
**BOLLARD-SS-180°**

180° SIDE SHIELD for standard bollard

## Photometry

All published luminaire photometric testing performed to IESNA LM-79-08 standards by a NVLAP certified laboratory.

Type V



## Selectable Standard LED Bollards



### ■ FEATURES

1. Dome, flat, and peak tops for option
2. Wattage and CCT selectable
3. 20", 32" and 42" high optional
4. High quality extrusion aluminum body
5. Stainless steel silicone rubber sealing
6. IP 66 rated for wet location
7. Side shield for option

### ■ Performance

Input Watts (LM-79 Reported)	12	24
Input Voltage	120-277	120-277
Output Lumens (@4000K)	1340	2500
Replaces (MH)	70-100W	70-100W
Lumen Per Watt	112	104
Color Accuracy (CRI)	>70	>70
Working Temperature	-40-104°F (-40-40°C)	-40-104°F (-40-40°C)
IP Rating	IP66 rated	IP66 rated

### ■ Dimensions & Weight

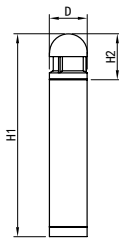
#### Dome Top

D: 7.90"

H1: 20"/32"/42"

H2: 9.53"

Max Weight: 18.3lbs



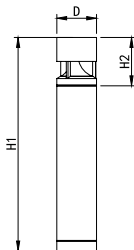
#### Flat Top

D: 7.90"

H1: 20"/32"/42"

H2: 9.53"

Max Weight: 18.3lbs



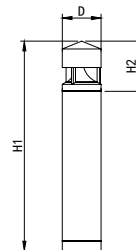
#### Peak Top

D: 7.90"

H1: 20"/32"/42"

H2: 10.08"

Max Weight: 18.3lbs



# Selectable Standard LED Bollards

## Ordering Information

Example: DB42HSPSW1-V

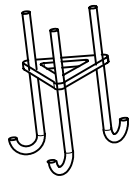
Top	Height	Watts	CCT	Voltage	Controls	Distribution	Finish
DB = Dome Top Bollard <sup>1</sup>	20H - 20" High <sup>1</sup>	SP -	SW -	1 - 120-277V	Blank - None	V - Type V	Blank - Bronze
FB = Flat Top Bollard	32H - 32" High <sup>1</sup>	Selectable	Selectable				BK - Black
PB = Peak Top Bollard	42H - 42" High <sup>1</sup>	Power	White 3000K/ 12W/24W <sup>2</sup> 4000K/5000K <sup>3</sup>				WH - White GY - Grey

Note:

- 42" High is standard. Please check Customer Service in advance for 20" and 32" High. It may take long lead time.
- 24W is default setting. If need 12W please contact Customer Service in advance to change the setting in factory or change the setting in the field.
- 3000K is default setting. If need other CCT please contact Customer Service in advance to change the setting in factory or change the setting in the field.

\* Bronze finish is standard. Custom color is available for a premium setup fee. Consult customer service for additional information.

## Accessories Information (Order Separately)



**90245**  
**ABMK01**  
 Anchor bolt (M10) mounting  
 kits for standard bollard

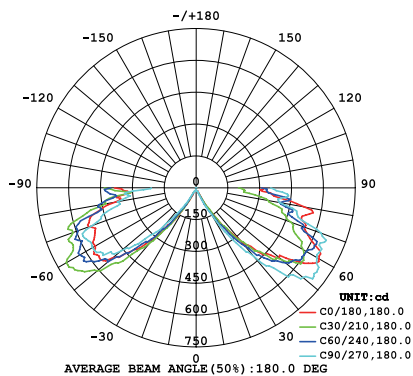


**90541**  
**BOLLARD-SS-180°**  
 180° SIDE SHIELD for  
 standard bollard

## Photometry

All published luminaire photometric testing performed to IESNA LM-79-08 standards by a NVLAP certified laboratory.

### Type V







# Selectable Square LED Bollard



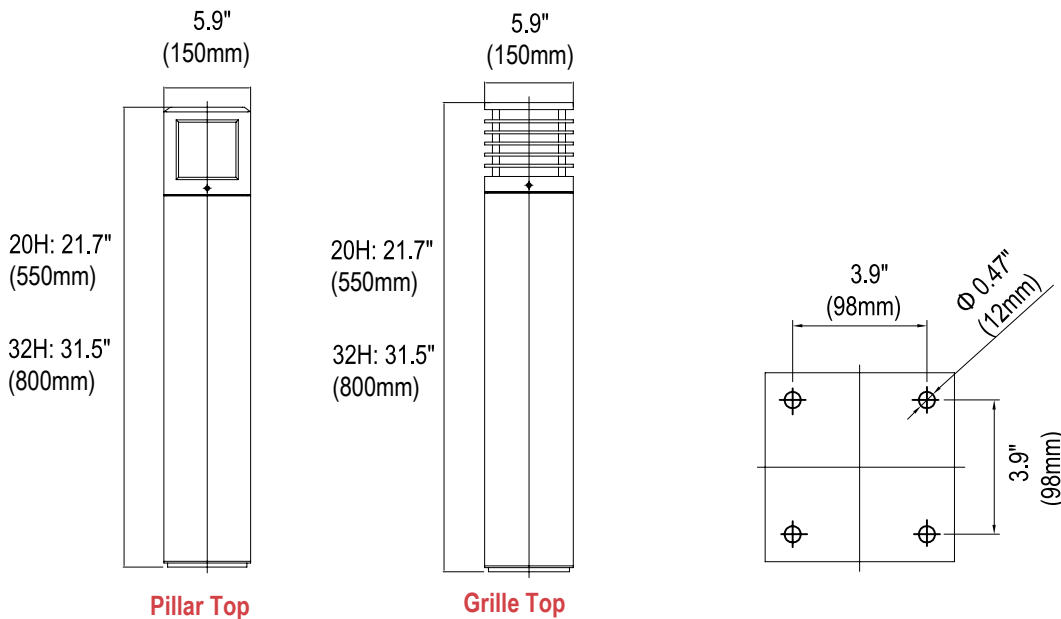
## ■ FEATURES

1. Square-shaped and architectural appeal
2. Wattage and CCT selectable
3. Pillar and Grille tops available
4. 20" high and 32" high optional
5. IP 66 rated for wet location

## ■ Performance

Input Watts (LM-79 Reported)	12	24
Input Voltage	120-277	120-277
Output Lumens (@4000K)	700	1400
Replaces (MH)	70-100W	70-100W
Color Accuracy (CRI)	>70	>70
Working Temperature	-4-104°F (-40-40°C)	-4-104°F (-40-40°C)
IP Rating	IP66 rated	IP66 rated

## ■ Dimensions & Weight



# Selectable Square LED Bollard

## Ordering Information

Example: SPB32HSPSW1-V

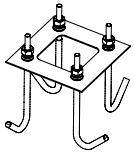
Top	Height	Watts	CCT	Voltage	Controls	Distribution	Finish
SPB - Pillar	20H - 20"	SP -	SW - Selectable	1 - 120-277V	Blank - None	V - Type V	Blank - Bronze
SGB - Grille	High <sup>1</sup>	Selectable	White 3000K/				BK - Black
	32H - 32"	Power	4000K/5000K <sup>3</sup>				WH - White
	High <sup>1</sup>	12W/24W <sup>2</sup>					GY - Grey

Note:

- 32" High is standard. Please check Customer Service in advance for 20" High. It may take long lead time.
- 24W is default setting. If need 12W please contact Customer Service in advance to change the setting in factory or change the setting in the field.
- 3000K is default setting. If need other CCT please contact Customer Service in advance to change the setting in factory or change the setting in the field.

\*Bronze finish is standard. Custom color is available for a premium setup fee. Consult customer service for additional information.

## Accessories Information (Order Separately)



**90540**

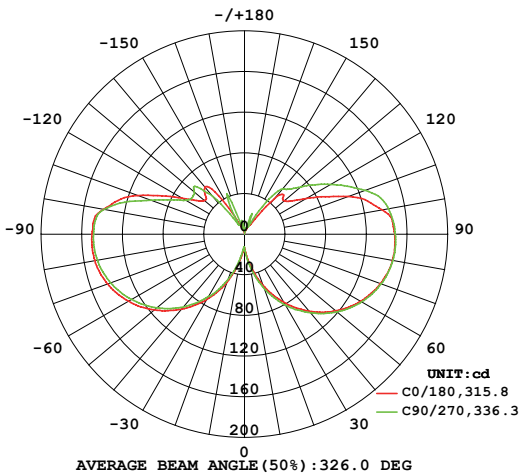
**ABMK02**

Anchor bolts mounting kits

for square bollard

## Photometry

All published luminaire photometric testing performed to IESNA LM-79-08 standards by a NVLAP certified laboratory.



Type V





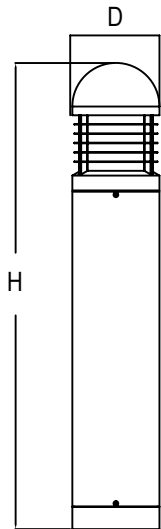
## ■ FEATURES

1. Louver and a rounded, cylindrical design
2. High quality extrusion aluminum body
3. Dome and flat top for option
4. 20", 32" and 42" high optional
5. IP 65 rated for wet location

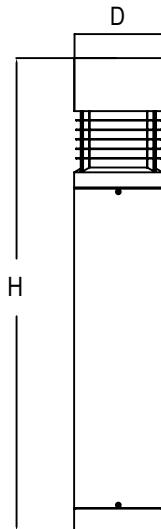
## ■ Performance

Input Watts (LM-79 Reported)	24
Input Voltage	120-277
Output Lumens (@4000K)	1200
Replaces (MH)	75W
Color Accuracy (CRI)	>70
Working Temperature	-4-104°F (-40-40°C)
IP Rating	IP65 rated

## ■ Dimensions & Weight



**Dome Top**  
 D:  $\Phi 7.90''$   
 H: 20"/32"/42"  
 Max Weight: 18.3lbs



**Flat Top**  
 D:  $\Phi 7.90''$   
 H: 20"/32"/42"  
 Max Weight: 18.3lbs

# Louvers Round LED Bollard

## Ordering Information

Example: LFB42H24401-V

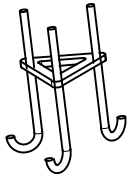
Name	Height	Watts	CCT	Voltage	Controls	Distribution	Finish
LDB - Louvers	20H - 20" High <sup>1</sup>	24 - 24 Watts	30 - 3000K	1 - 120-277V	Blank - None	V - Type V	Standard
Dome Top	32H - 32" High <sup>1</sup>		40 - 4000K				Optional*
LFB - Louvers	42H - 42" High <sup>1</sup>		50 - 5000K				Blank - Bronze
Flat Top							BK - Black
							WH - White
							GY - Grey
							(See Notes)

Note:

1. 42" High is standard. Please check Customer Service in advance for 20" and 32" High. It may take long lead time.

\* Standard Finish is Dark Bronze. Allow 4-6 weeks for optional finish. Additional charge will apply.

## Accessories Information (Order Separately)



90245

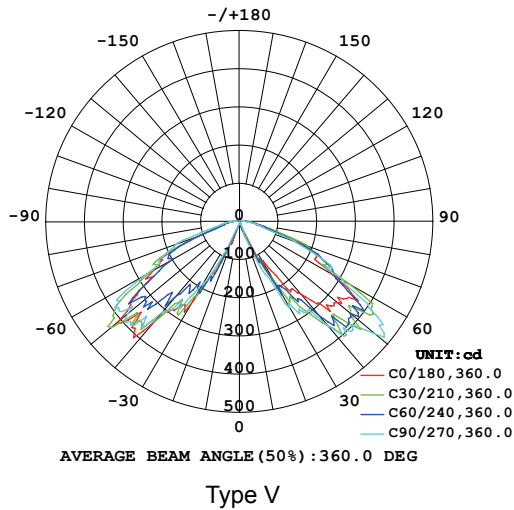
ABMK01

Anchor bolt (M10) mounting

kits for standard bollard

## Photometry

All published luminaire photometric testing performed to IESNA LM-79-08 standards by a NVLAP certified laboratory.





■ FEATURES

1. 6% Up-light to reduce cave effect
2. NSF approved for splash and Non-food Zones
3. IP66 rated for wet location
4. 5VA impact-resistant polycarbonate

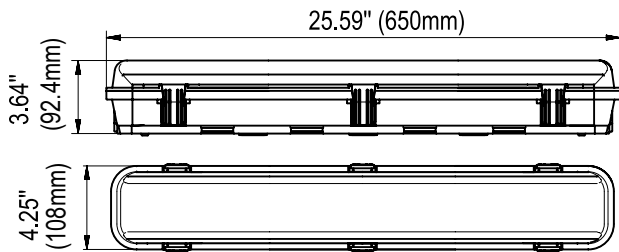
■ Performance

Input Watts (LM-79 Reported)	40	40	100
Input Voltage	120-277	120-277	120-277
Output Lumens (@5000K)	3050	4890	12730
Replaces (FL)	2Lamp - 32W T8	3 Lamp - 32W T8	6 Lamp - 32W T8
Lumen Per Watt	133	136	134
Color Accuracy (CRI)	80	80	80
Working Temperature	-40-95°F (-40-35°C)	-40-95°F (-40-35°C)	-40-95°F (-40-35°C)
IP Rating	IP66 rated	IP66 rated	IP66 rated

■ Dimensions & Weight

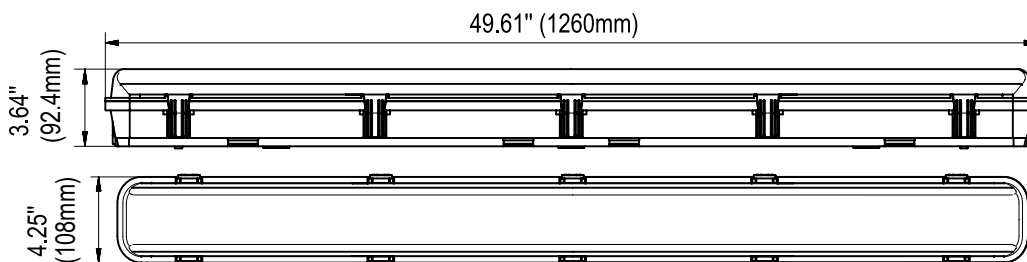
2FT

Net Weight: 3lbs



4FT

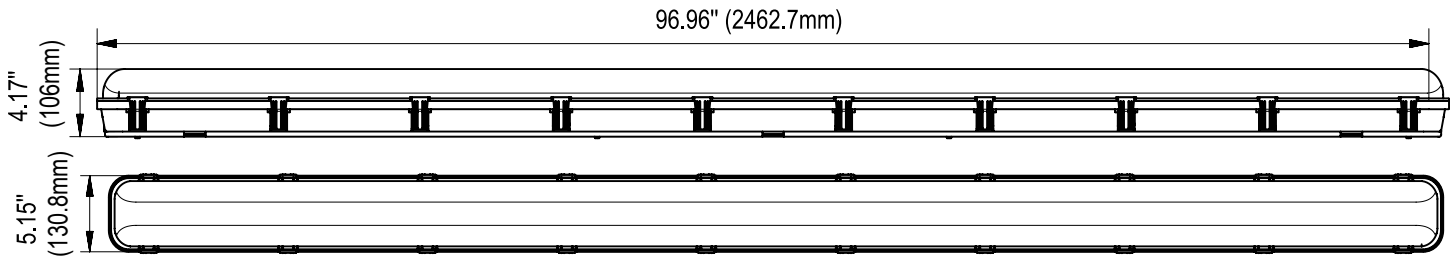
Net Weight: 5.8lbs



# LED Vapor Tight

**8FT**

Net Weight: 12.35lbs



## Ordering Information

Example: VP12D40501

Vapor Tight	Dimension	Dimmable	Watts	CCT	Voltage	Controls
VP	06 - 2FT	D - 0-10V	24 - 24 Watts	30 - 3000K	1 - 120-277V	Blank - None
		Dimmable		40 - 4000K		EBU- Emergency
	12 - 4FT <sup>1</sup>		40 - 40 Watts	50 - 5000K		Battery Back-up <sup>2</sup>
	24 - 8FT		100 - 100 Watts			

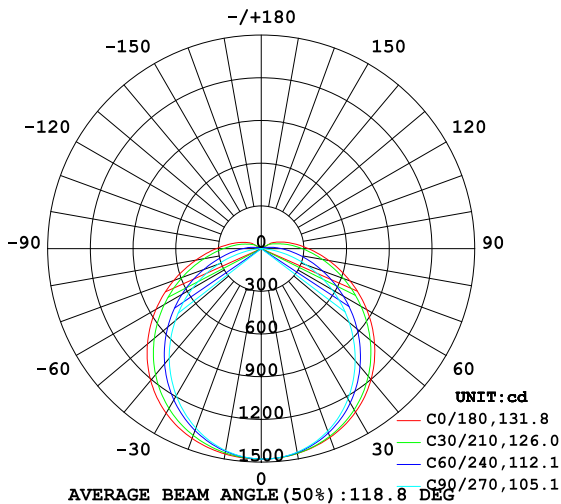
1. Stock is only for 4ft. Please contact Customer Service for lead time of 2ft and 8ft luminaire.
2. Emergency Battery Back-up is not available for 2ft, 24W.

\*Special Order- Ask Customer Service for Details

## Photometry

All published luminaire photometric testing performed to IESNA LM-79-08 standards by a NVLAP certified laboratory.

**40W 4FT**



# DLC P Glass Lens PAD Canopy Light

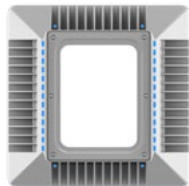


## ■ FEATURES

1. Tempered Glass Lens
2. Slim Low Profile Design
3. Top 5 LED Chip & LED Driver
4. Patented Air Cooling Design Weep Holes
5. Surface Or Pendant Mountings Optional



Slim design less than 2"



Patented air cooling design weep holes: solving the problems of water on the back of the fixture and better heat dissipation



Surface/ pendant mount

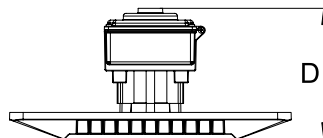
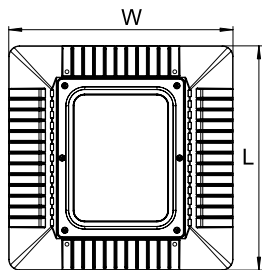


Separated driver box :  
A better thermal design

## ■ Performance

Input Watts (LM-79 Reported)	63	95	119
Input Voltage	120-277	120-277	120-277
Output Lumens (@5000K)	9400	13670	17780
Replaces (MH)	250W	400W	400-600W
Lumen Per Watt	149	144	149
Color Accuracy (CRI)	>80	>80	>80
Working Temperature	-40-104°F (-40-40°C)	-40-104°F (-40-40°C)	-40-104°F (-40-40°C)
IP Rating	IP65 rated	IP65 rated	IP65 rated

## ■ Dimensions & Weight



Depth: 7.68"  
Width: 16.38"  
Length: 18.98"  
Max. Weight: 13.5lbs

# DLC P Glass Lens PAD Canopy Light

## Ordering Information Example: PDG120501

PAD Design	Watts	CCT	Voltage
PDG	65 - 65 Watts	30 - 3000K <sup>1</sup>	1 - 120-277 V
	100 - 100 Watts	40 - 4000K	6 - 347/480V
	120 - 120 Watts	45 - 4500K	
		50 - 5000K	

Notice:

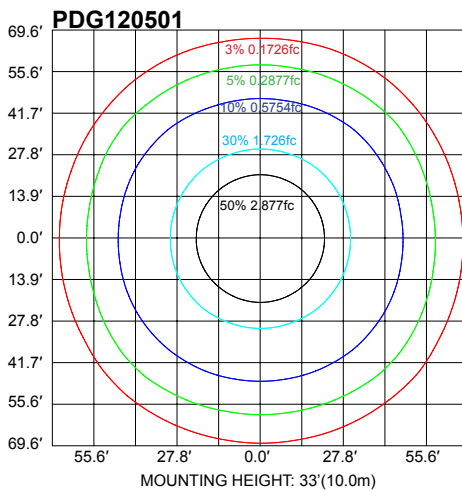
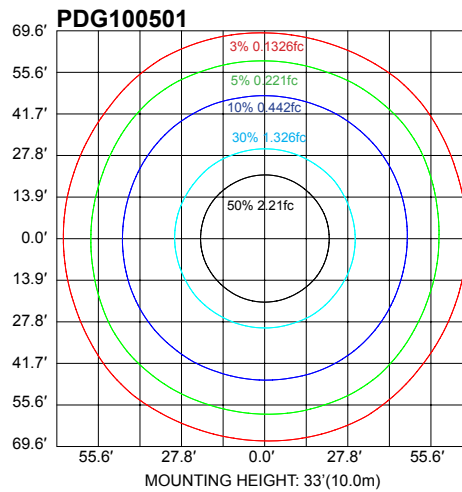
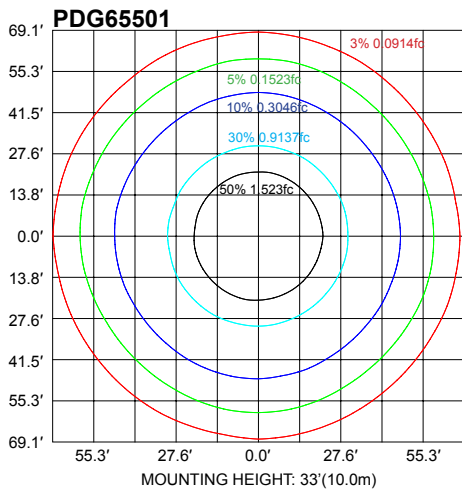
1. 3000K DLC Premium is unavailable

\* White finish is standard. Custom color is available for a premium setup fee. Consult customer service for additional information.

## Photometry

All published luminaire photometric testing performed to IESNA LM-79-08 standards by a NVLAP certified laboratory.

Mounting Height	10	12	15	18	20	25	33
Multiplier	10.9	7.6	4.9	3.4	2.8	1.8	1



Note: Please visit our website for more details.







## ■ FEATURES

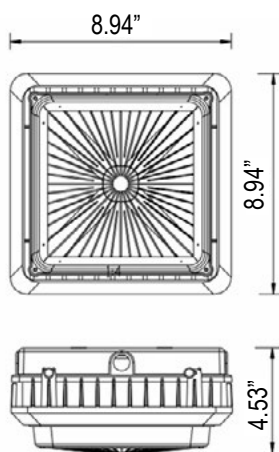
1. Microwave Dimming Sensor available
2. With junction box, easy to install
3. Light is soft and uniform, safe to eyes
4. DLC Premium Listed

## ■ Performance

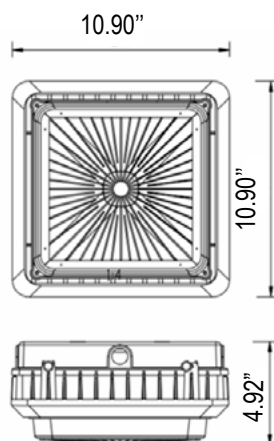
Input Watts (LM-79 Reported)	40	55	75	100
Input Voltage	120-277	120-277	120-277	120-277
Output Lumens	5200	7200	9800	13100
Replaces (MH)	150W	175W	250W	400W
Lumen Per Watt	130	131	131	131
Color Accuracy (CRI)	>80	>80	>80	>80
Working Temperature	-40-95°F (-40-35°C)	-40-95°F (-40-35°C)	-40-95°F (-40-35°C)	-40-95°F (-40-35°C)
IP Rating	IP65 rated	IP65 rated	IP65 rated	IP65 rated

## ■ Dimensions & Weight

### 40W/55W



### 75W/100W



# J-BOX LED CANOPY

## ■ Ordering Information Example: JBCAN40501

Series	Watts	CCT	Voltage	Controls	Lens	Finish
JBCAN	40-40W	40 - 4000K	1 - 120-277V	Blank - None	Blank - Stripe PC Lens	Blank - White
	55-55W	50 - 5000K		MSW - Microwave		
	75-75W			Dimming Sensor <sup>1</sup>		
	100-100W					

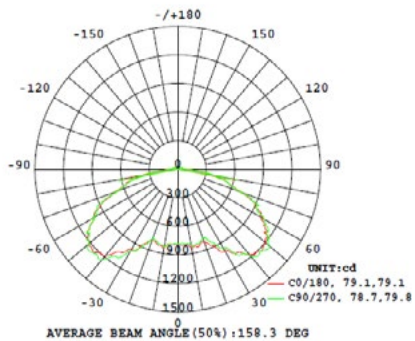
Notice:

1. Microwave dimming sensor, for mounting height 26ft (8m) max. Dimming default setting is Bi-Level dim and dimming to 50%. Stand-by period default setting is disable. Besides, daylight sensor default setting is disable. If need other dimming levels such as 20% or 30% and daylight sensor function please contact the Customer Service or please change the settings by DIP switches.

\* White finish is standard. Custom color is available for a premium setup fee. Consult customer service for additional information.

## ■ Photometry

All published luminaire photometric testing performed to IESNA LM-79-08 standards by a NVLAP certified laboratory.



**Note:** Please visit our website for more details.





## ■ FEATURES

1. 11% uplight
2. Superior Low-glare Illumination
3. Performance up to 136LPW
4. Sensor and EBU available
5. With junction box, Easy for surface or pendant mount.

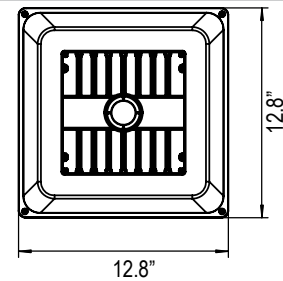
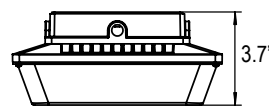
## ■ Performance

Input Watts (LM-79 Reported)	35	68
Input Voltage	120-277	120-277
Output Lumens (@5000K)	4528	9172
Replaces (MH)	175W	320W
Lumen Per Watt	130	136
Color Accuracy (CRI)	>80	>80
Working Temperature	-40-104°F (-40-40°C)	-40-104°F (-40-40°C)
IP Rating	IP65 rated	IP65 rated

## ■ Dimensions & Weight

Dimension(L-W-H): 12.8"-12.8"-3.7"

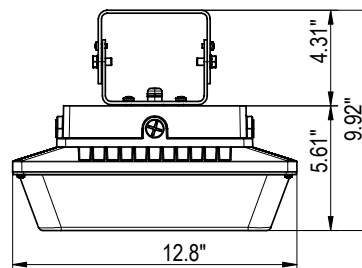
Max. Weight: 13.5 lbs



With Trunion

Dimension(L-W-H):12.8"-12.8"-9.92"

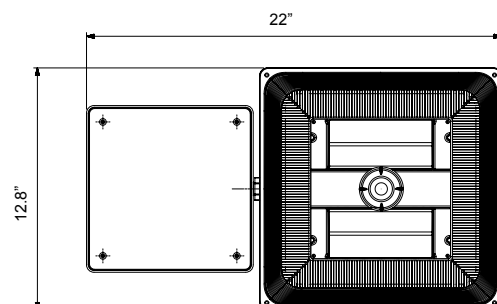
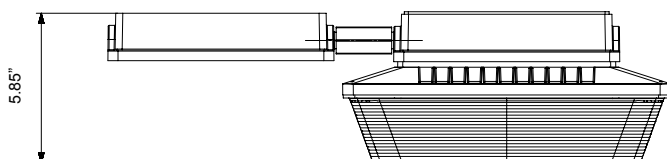
Max. Weight: 14.3 lbs



With EBU

Dimension(L-W-H): 22"-12.8"-5.85"

Max. Weight: 17.3 lbs



# DLC P LS Parking Garage

## Ordering Information Example: LSPKG35501P-MS-L2B

Name	Watts	CCT	Voltage	Series	Controls	MS LENS
LSPKG	35 - 35 Watts	30 - 3000K	1 - 120-277V	P - DLC Premium	MS - Wattstopper Sensor <sup>5</sup>	L2B - L2 Lens Black <sup>2</sup>
	65 - 70 Watts	40 - 4000K	6 - 347/480V <sup>4</sup>		EBU8 - Emergency Battery Backup <sup>1</sup>	L7B - L7 Lens Black <sup>3</sup>
		50 - 5000K			EBU6 - Emergency Battery Backup <sup>6</sup>	
					MOD - Enlighted Sensor <sup>7</sup>	

**Notice:**

- EBU8 is for 70W. In the event of a power failure, the battery backup units switch to emergency mode (about 1050 lumen output) and operates the fixture for a minimum of 90 minutes. The EBU is Title 20 compliant.
- Default setting for 35W.
- Default setting for 70W.
- Only 70W is available in 347/480V
- Wattstopper Sensor is not available for 347/480V.
- EBU6 is for 35W. In the event of a power failure, the battery backup units switch to emergency mode (about 780 lumen output) and operates the fixture for a minimum of 90 minutes. The EBU is Title 20 compliant.
- Enlighted control is only for 120-277V and will take long time. Luminaire will be shipped with Sensors installed on the luminaire, allowing for individual luminaire control. Luminaires will be ready to be integrated with designated control systems. "Gateway program" need to be purchased separately- Please Ask Customer Service in advance for Details.

\* Dark Bronze finish is standard. Custom color is available for a premium setup fee. Consult customer service for additional information.

## Accessories Information (Order Separately/ filed install)

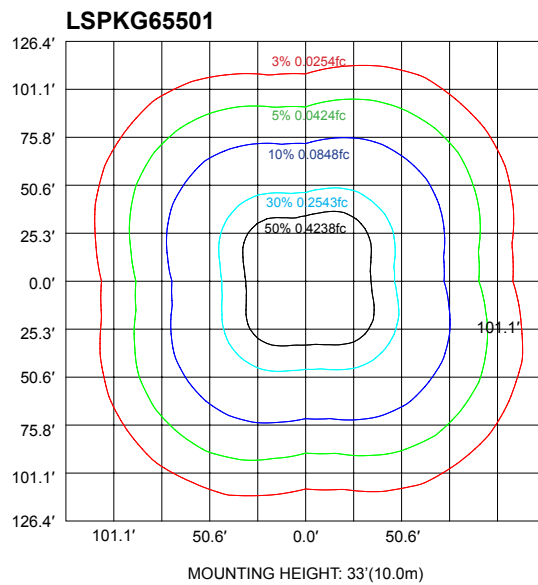
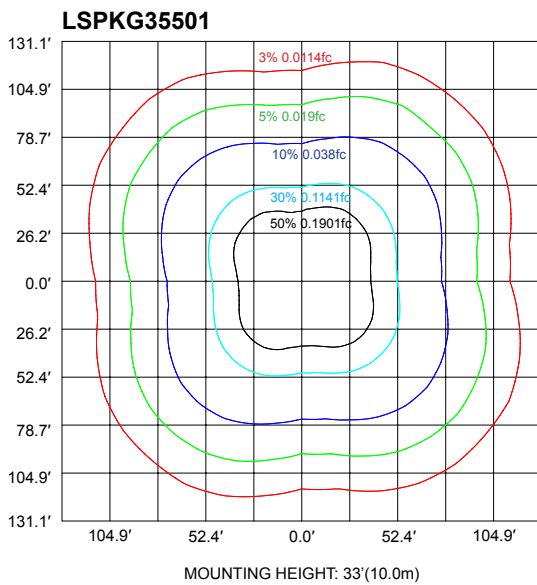


**90420**  
LSPKG-TR  
Trunnion for LSPKG

## Photometry

All published luminaire photometric testing performed to IESNA LM-79-08 standards by a NVLAP certified laboratory.

Mounting Height	10	12	15	18	20	25	33
Multiplier	10.9	7.6	4.9	3.4	2.8	1.8	1



**Note:** Please visit our website for more details.





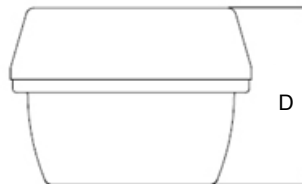
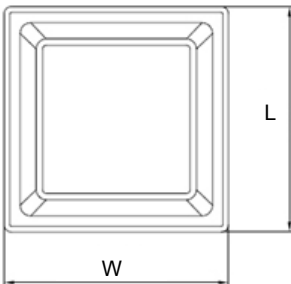
## ■ FEATURES

1. Superior low-glare illumination
2. Top 5 LED chip & led driver
3. 0-170° beam spread
4. Photocell available

## ■ Performance

Input Watts (LM-79 Reported)	37	49	65
Input Voltage	120-277	120-277	120-277
Output Lumens (@5000K)	3590	4732	6160
Replaces (MH)	150W	250W	350W
Lumen Per Watt	98	97	95
Color Accuracy (CRI)	>70	>70	>70
Working Temperature	-40-104°F (-40-40°C)	-40-104°F (-40-40°C)	-40-104°F (-40-40°C)
IP Rating	IP65 rated	IP65 rated	IP65 rated

## ■ Dimensions & Weight



Depth: 9.06"  
 Width: 12.4"  
 Length: 12.4"  
 Max. Weight: 7.7 lbs

## ■ Ordering Information

Example: ABPKG40LED50 / ABBPKG70501

ABOVE ALL	Parking Garage	Watts	Source Type	CCT	Controls
AB	PKG	40 - 38 Watts	LED	30 - 3000K	PC12 - Photo control 120V
				40 - 4000K	PC27 - Photo control 277V
				50 - 5000K <sup>1</sup>	Leave blank for no controls

ABOVE ALL	Parking Garage	Watts	CCT	Voltage	Controls
ABB	PKG	55 - 52 Watts	30 - 3000K	1 - 120-277 V	PC12 - Photo control 120V
		70 - 70 Watts	40 - 4000K		PC27 - Photo control 277V
			50 - 5000K <sup>1</sup>		Leave blank for no controls

Notice:

1. Only 5000K is qualified with DLC.

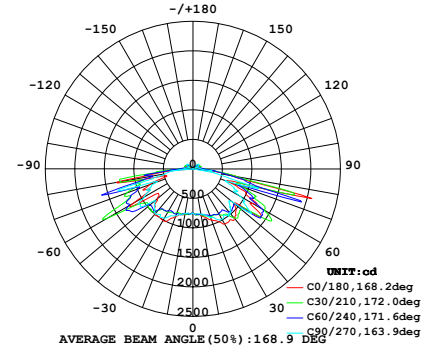
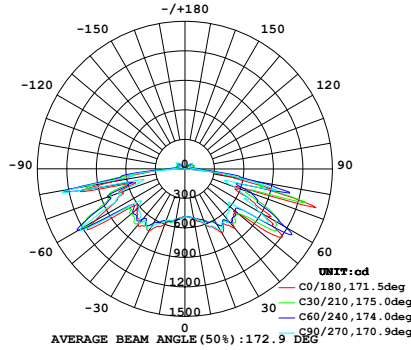
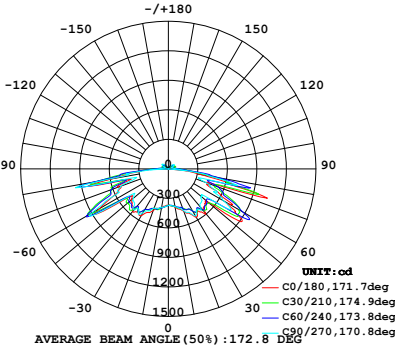
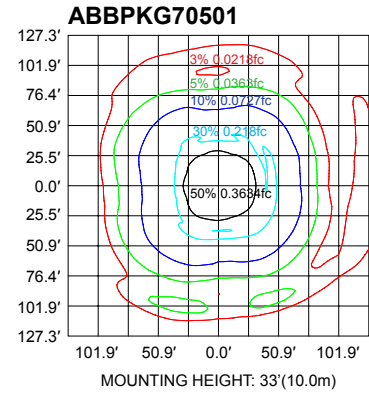
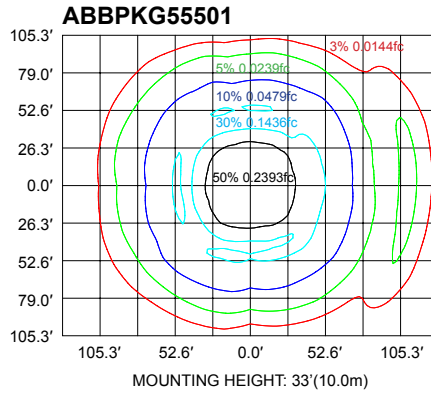
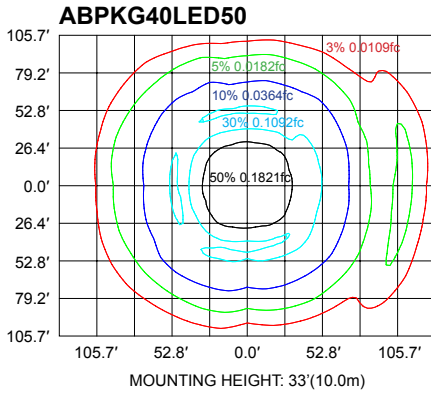
\* Bronze finish is standard. Custom color is available for a premium setup fee. Consult customer service for additional information..

# Parking Garage Light

## ■ Photometry

All published luminaire photometric testing performed to IESNA LM-79-08 standards by a NVLAP certified laboratory.

Mounting Height	10	12	15	18	20	25	33
Multiplier	10.9	7.6	4.9	3.4	2.8	1.8	1



Note: Please visit our website for more details.





# DLC P LED Canopy



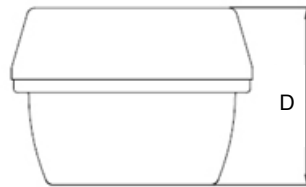
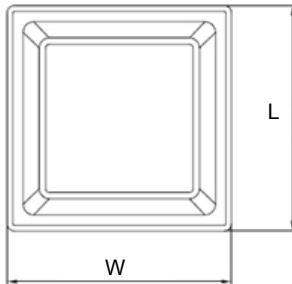
## ■ FEATURES

1. Superior low-glare illumination
2. Top 5 LED chip & led driver
3. 0-170° beam spread
4. Photocell available

## ■ Performance

Input Watts (LM-79 Reported)	21	35	49	66
Input Voltage	120-277	120-277	120-277	120-277
Output Lumens (@5000K)	2732	4092	4849	6302
Replaces (MH)	100W	150W	175W	250W
Lumen Per Watt	129	118	99	96
Color Accuracy (CRI)	>70	>70	>70	>70
Working Temperature	-40-104°F (-40-40°C)	-40-104°F (-40-40°C)	-40-104°F (-40-40°C)	-40-104°F (-40-40°C)
IP Rating	IP65 rated	IP65 rated	IP65 rated	IP65 rated

## ■ Dimensions & Weight



### 20W

Depth: 8.85"  
 Width: 8.85"  
 Length: 7.28"  
 Max. Weight: 3.8 lbs

### 38W, 52W, 70W

Depth: 9.06"  
 Width: 12.4"  
 Length: 12.4"  
 Max. Weight: 8.6 lbs

## ■ Ordering Information

Example: ABBCAN40501

ABOVE ALL	CANOPY	Watts	CCT	Voltage	Controls
ABB	CAN	20 - 20 Watts <sup>1</sup>	30 - 3000K <sup>2</sup>	1 - 120-277 V	PC12 - Photo control 120V
		40 - 38 Watts	40 - 4000K <sup>3</sup>		PC27 - Photo control 277V
		55 - 52 Watts	50 - 5000K <sup>4</sup>		Leave blank for no controls
		70 - 70 Watts			

Notice:

1. 20 watts version is non-dimmable.
2. Only 20W 3000K qualified with DLC Premium.
3. Only 20W and 38W 4000K is qualified with DLC Premium.
4. 20W 5000K is DLC Premium listed. 38W, 52W and 70W are DLC standard listed.

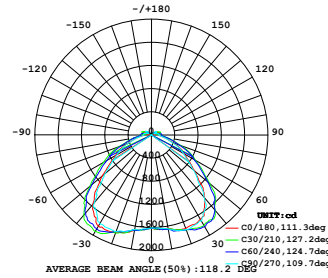
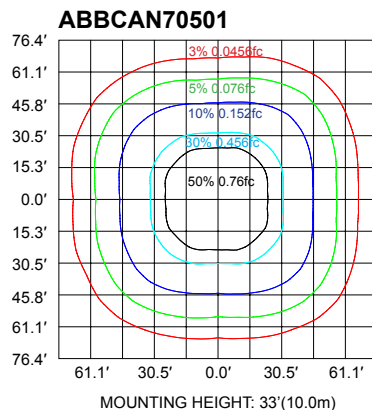
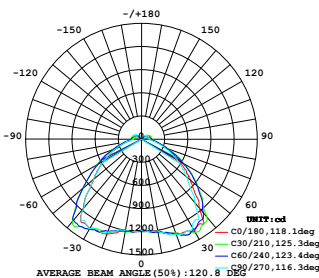
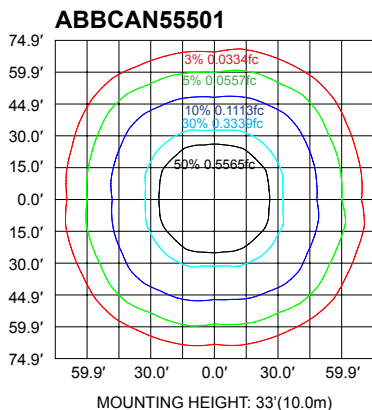
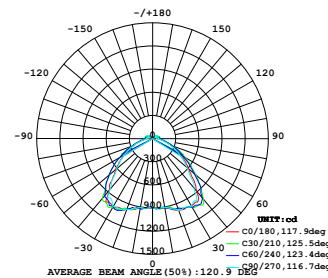
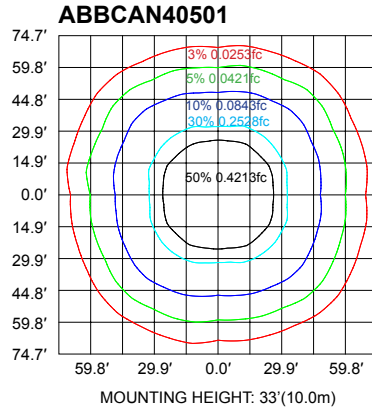
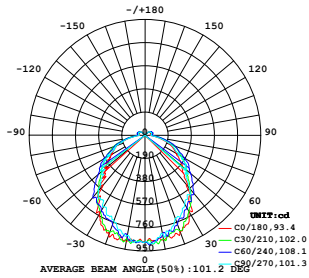
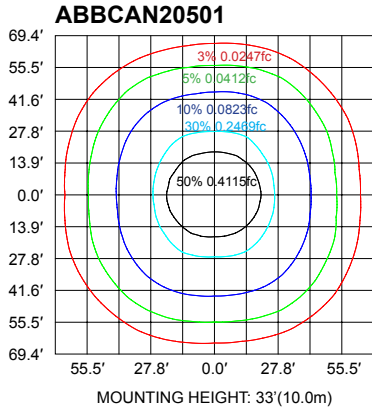
\* Bronze finish is standard. Custom color is available for a premium setup fee. Consult customer service for additional information.



## ■ Photometry

All published luminaire photometric testing performed to IESNA LM-79-08 standards by a NVLAP certified laboratory.

Mounting Height	10	12	15	18	20	25	33
Multiplier	10.9	7.6	4.9	3.4	2.8	1.8	1



Note: Please visit our website for more details.



# Selectable Canopy Light



## ■ FEATURES

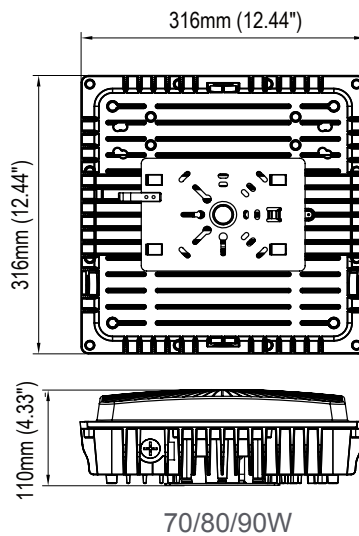
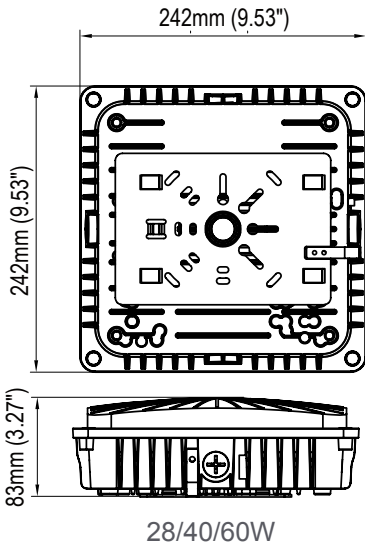
1. High efficiency up to 163LPW
2. Die-cast aluminum housing
3. 3000K, 4000K and 5000K selectable
4. Wattage selectable
5. Wide voltage 120-347V available
6. Lumen output range from 4000lm to 13,200lm

## ■ Performance

Input Watts (LM-79 Reported)	27	39	57
Input Voltage	120-347	120-347	120-347
Output Lumens (@5000K)	4460	6200	8550
Replaces (MH)	150-175W	150-175W	250-400W
Lumen Per Watt	163	159	150
Color Accuracy (CRI)	>70	>70	>70
Working Temperature	-40-104°F (-40-40°C)	-40-104°F (-40-40°C)	-40-104°F (-40-40°C)
IP Rating	IP65 rated	IP65 rated	IP65 rated

Input Watts (LM-79 Reported)	68	76	86
Input Voltage	120-347	120-347	120-347
Output Lumens (@5000K)	10800	11800	13200
Replaces (MH)	250-400W	250-400W	250-400W
Lumen Per Watt	158	156	153
Color Accuracy (CRI)	>70	>70	>70
Working Temperature	-40-104°F (-40-40°C)	-40-104°F (-40-40°C)	-40-104°F (-40-40°C)
IP Rating	IP65 rated	IP65 rated	IP65 rated

## ■ Dimensions & Weight



## ■ Ordering Information Example: ABBCAN40501

Name	Watts	-	CCT	Voltage	-	Controls	-	Finish
<b>SCAN</b>	<b>SPS</b> - Selectable Power 28W/40W/60W <sup>1</sup>	-	<b>SW</b> - Selectable White 3000K/4000K/5000K <sup>2</sup>	<b>8</b> -120-347V	-	<b>Blank</b> - None <b>MSW</b> - Microwave Dimming Sensor	-	<b>Blank</b> - Black
	<b>SPL</b> - Selectable Power 70W/80W/90W <sup>1</sup>							

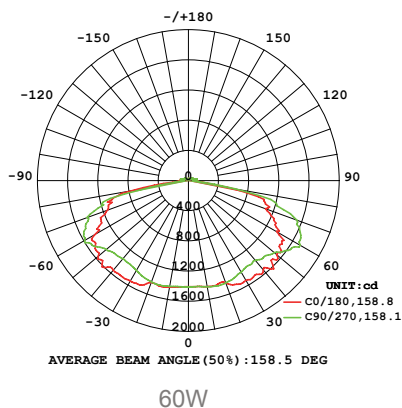
Notice:

- 60W and 90W are default setting, If need other wattage, please contact Customer Service in advance to change the setting in factory or change the setting in the field.
- 4000K is default setting. If need other CCT please contact Customer Service in advance to change the setting in factory or change the setting in the field.

\* Bronze finish is standard. Custom color is available for a premium setup fee. Consult customer service for additional information.

## ■ Photometry

All published luminaire photometric testing performed to IESNA LM-79-08 standards by a NVLAP certified laboratory.







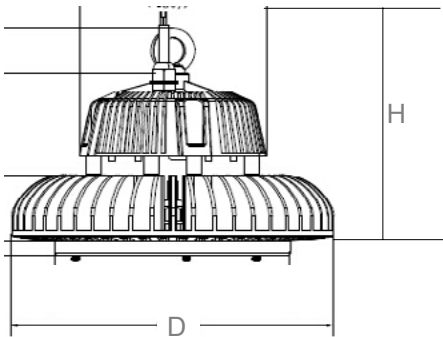
■ FEATURES

1. Tempered Glass Lens
2. 347/480V available
3. Replaces up to 750W HID
4. In Beaming Angle of 60°/90°/120°

■ Performance

Input Watts	100	150	200	240
Input Voltage	120-277	120-277	120-277	120-277
Output Lumens (@5000K)	12500	18750	25000	30000
Replaces (MH)	400W	600W	800W	1000W
Lumen Per Watt	125	125	125	125
Color Accuracy (CRI)	>80	>80	>80	>80
Working Temperature	-4-104°F (-20-40°C)	-4-104°F (-20-40°C)	-4-104°F (-20-40°C)	-4-104°F (-20-40°C)
IP Rating	IP65 rated	IP65 rated	IP65 rated	IP65 rated

■ Dimensions & Weight



**100W & 150W**

Φ10.23"X7.08"

(Φ260\*183mm)

Max. Weight: 11.24 lbs

**200W**

Φ11.48"X8.19"

(Φ290\*208mm)

Max. Weight: 12.79 lbs

**240W**

Φ11.48"X8.58"

(Φ290\*218mm)

Max. Weight: 14.11 lbs

■ Installation

Hook Mount



Stem Pendent Mount



Trunnion Mount



# Full optic LED UFO High Bay

## ■ Accessories Information (Order Separately)

						
<b>AB-AL-60D</b>	<b>AB-PC-70D</b>	<b>AB-AL-90D</b>	<b>AB-PC-DGS</b>	<b>AB-PC-CGS</b>	<b>UFO-P1</b>	<b>MSW-JBOX</b>
60 degree aluminium reflector	70 degree PC reflector	90 degree aluminium reflector	PC Drop glare shield, suitable for 70 degree PC reflector with SKU 90023	PC Clear conical glare shield suitable for 70 degree PC reflector with SKU 90023	3/4" pendant adapter for 100W/150W	Microwave motion sensor with junction box
					<b>UFO-P2</b> 3/4" pendant adapter for 200W/240W	

## ■ Ordering Information Example: URHB100LED501

UFO Round High Bay	Watts	Source type	CCT	Voltage	Controls	Installation	Distribution	Options
URHB 100	100 Watts	LED	50 - 5000K	1 - 120-277VAC	Blank - No	Blank-Hook with	Blank-120°	Blank - None
	150 - 150 Watts			6 - 347/480V	Controls	Safety Chain	Shipped	PCL-Polycarbonate Clear Lens <sup>3</sup>
	200 - 200 Watts				Shipped	TR -Trunion <sup>4</sup>	Separately <sup>1</sup>	PFL-Polycarbonate
	240 - 240 Watts				Separately <sup>1</sup>	Shipped Separately <sup>1</sup>	AB-AL-60D	Frosted Lens
					MSW - JBOX <sup>2</sup>	UFO-P1	AB-PC-70D	Shipped Separately <sup>1</sup>
						UFO-P2	AB-AL-90D	AB-PC-DGS
								AB-PC-CGS

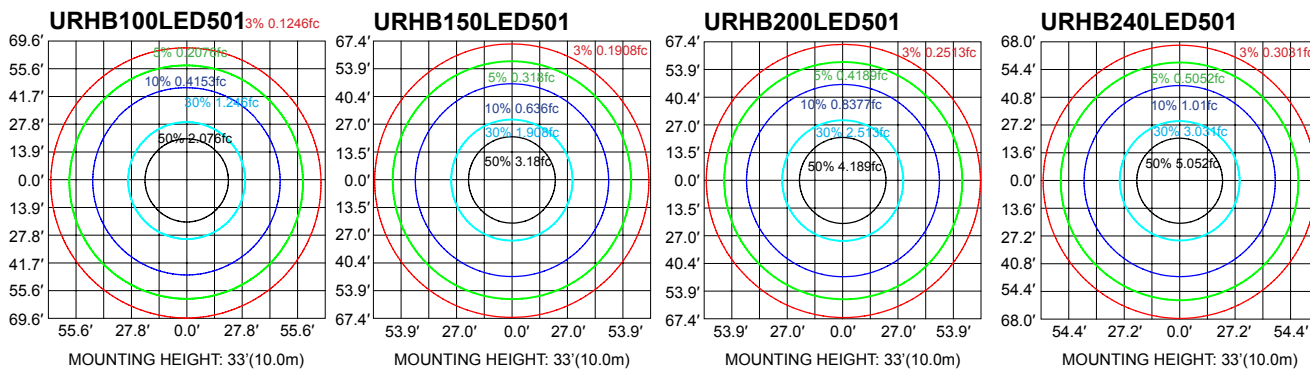
Notice:

- Order and shipped separately as accessory. More details in the following accessory table.
- The motion sensor solution is only for 120-277V. The sensor can not be installed in the room of long-time vibration because the vibration signal will be regarded as the moving signal to trigger sensor.
- Glass clear lens is standard. PCL is special and please check with the Customer Service for details.
- Trunion mount will be discontinued after stock is run out. Please check with the Customer Service for details.

## ■ Photometry

All published luminaire photometric testing performed to IESNA LM-79-08 standards by a NVLAP certified laboratory.

Mounting Height	10	12	15	18	20	25	33
Multiplier	10.9	7.6	4.9	3.4	2.8	1.8	1



Note: Please visit our website for more details.





## ■ FEATURES

1. Up to 65,000lm to replace the 1500W MH or HID lamp
2. Maximum 122°C (50°C) high ambient
3. 60 and 90 degree reflector for option
4. 347/480V available
5. IP 65 for wet location

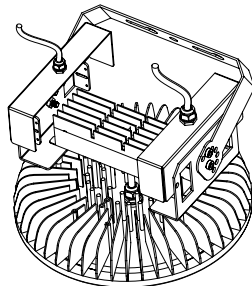
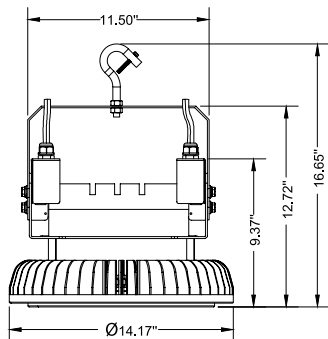
## ■ Performance

Input Watts	300	400	500
Input Voltage	120-277	120-277	120-277
Output Lumens (@5000K)	39000	52000	65000
Replaces (MH)	800W	1000W	1500W
Lumen Per Watt	130	130	130
Color Accuracy (CRI)	>80	>80	>80
Working Temperature	-40-122°F (-40-50°C)	-40-122°F (-40-50°C)	-40-122°F (-40-50°C)
IP Rating	IP65 rated	IP65 rated	IP65 rated

## ■ Dimensions & Weight

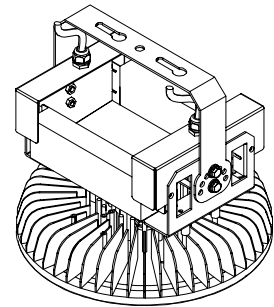
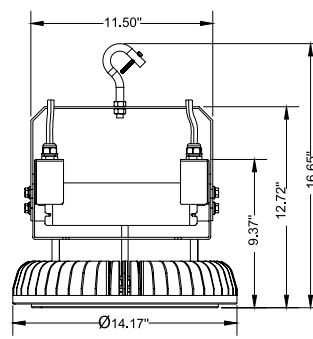
### 300W

Max. Weight: 15.00 lbs (6.80kg)



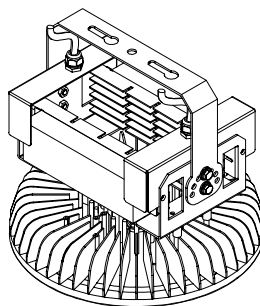
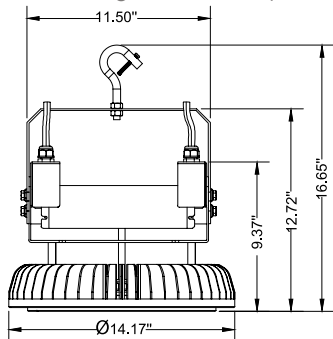
### 400W

Max. Weight: 22.93 lbs (10.40kg)



### 500W

Max. Weight: 23.37 lbs (10.60kg)



# High Power UFO LED High Bay

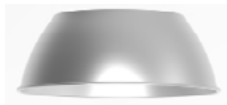
## Ordering Information Example: URHB300LED501

Name	Watts	Source Type	CCT	Voltage	Controls	Installation	Distribution	Options	
URHB	300 -	LED	30 - 3000K	1 - 120-	Blank - No Controls	Blank - Hook	Blank-120° <sup>1</sup>	Blank - None	
	300 Watts		40 - 4000K	277VAC			Shipped		
	400 -		50 - 5000K	6 - 347/480V			Separately <sup>2</sup>		
	400 Watts						P - Pendant		60 - 60°
	500 -								90 - 90°
	500 Watts								

Notice:

- Standard distribution is 120° without any reflector. If for 60° and 90° need to match with reflector.
- Available as accessories.
- Trunnion mount is available only need to remove the hook.

## Accessories Information (Order Separately)



### URHB-AL90-L

90 degree aluminum reflector  
Suitable for high power UFO high bay  
bay 300W, 400W and 500W



### URHB-PC60-L

60 degree PC reflector Suitable  
for high power UFO high bay  
300W, 400W and 500W

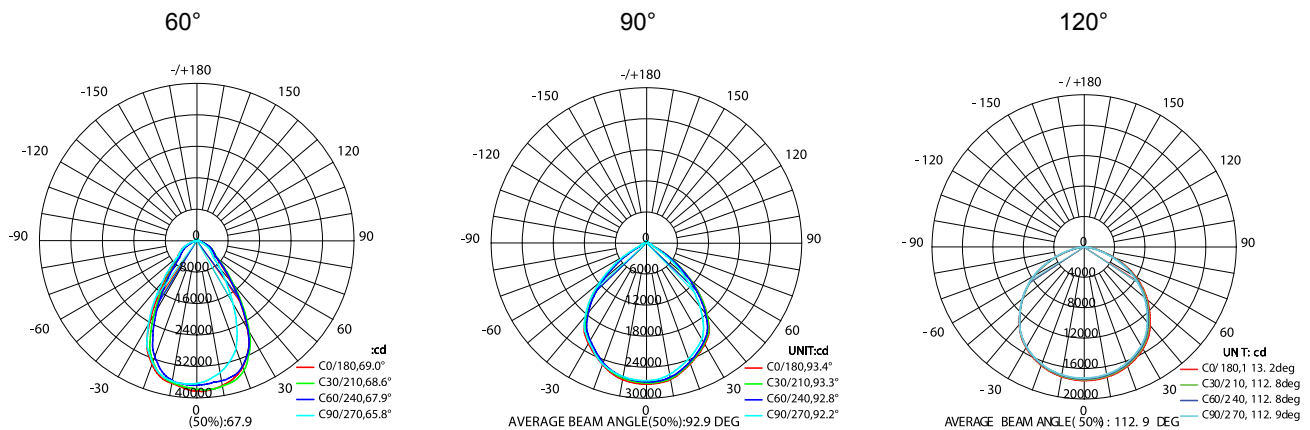


### UFO-P2

3/4" pendant mounting adapter

## Photometry

All published luminaire photometric testing performed to IESNA LM-79-08 standards by a NVLAP certified laboratory.







**FEATURES**

1. Compact die-casting aluminum body design
2. 60 and 90 degree reflector for option
3. Microwave Motion Sensor available
4. 347/480V available

**Performance**

Input Watts	100	145	200	236
Input Voltage	120-277	120-277	120-277	120-277
Output Lumens (@5000K)	13600	20000	26800	30680
Replaces (MH)	400W	600W	1000W	1500W
Lumen Per Watt	136	138	134	130
Color Accuracy (CRI)	>80	>80	>80	>80
Working Temperature	-4-104°F (-20-40°C)	-4-104°F (-20-40°C)	-4-104°F (-20-40°C)	-4-104°F (-20-40°C)
IP Rating	IP65 rated	IP65 rated	IP65 rated	IP65 rated

**Dimensions & Weight**

**100W**

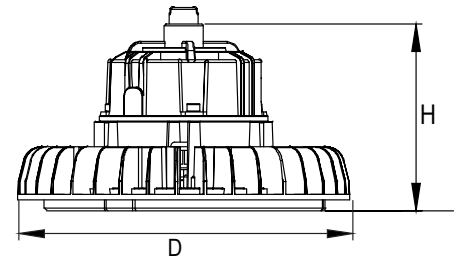
Diameter: 10.23"  
Height: 5.33"

**150W/200W**

Diameter: 10.23"  
Height: 5.90"

**240W**

Diameter: 12.60"  
Height: 5.53"



**Accessories Information (Order Separately)**



**HBG2-AL60**  
60 degree aluminum reflector for HBG2



**HBG2-PC60**  
60 degree polycarbonate reflector for HBG2



**HBG2-P1**  
3/4" pendant adapter for 100W/150W/200W HBG2



**HBG2-TR**  
Trunnion Mount Bracket



**MSW-JBOX**  
Microwave motion sensor with junction box

**HBG2-AL90**  
90 degree aluminum reflector for HBG2

**HBG2-P2**  
3/4" pendant adapter for 240W HBG2

**Note:** Regarding 3/4" pendant adaptor, please check with Customer Service for MOQ and lead time.



Hook Mount



Stem Pendant Mount



Trunnion Mount

# GEN.2 LED UFO High Bay



WITH frosted lens



WITH 60D aluminum reflector



WITH 60D polycarbonate reflector

## Ordering Information Example: HBG2-100501

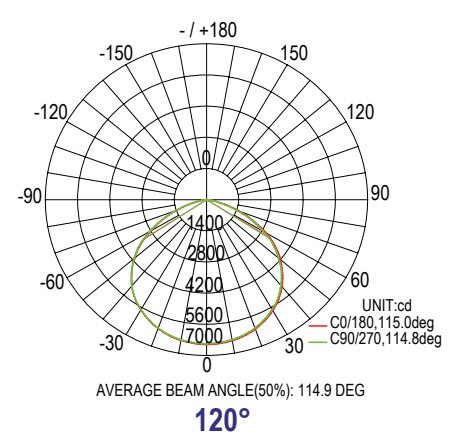
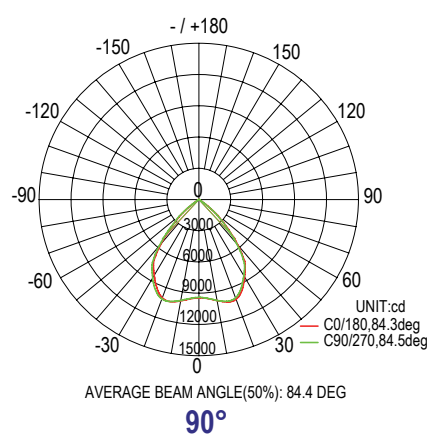
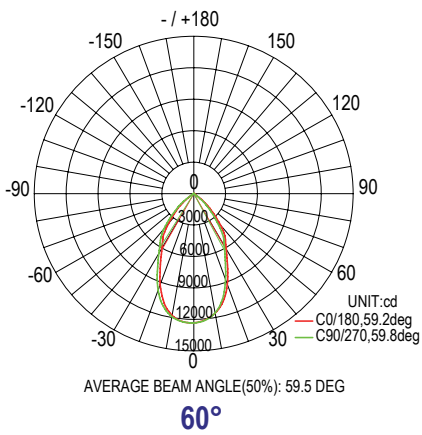
Series	Watts	CCT	Voltage	Controls	Installation	Distribution	Options
HBG2	100 - 100 Watts	40 - 4000K	1 - 120-277VAC	Blank - No	Blank - Hook	Blank-120°	Blank - Glass Clear
	150 - 150 Watts	50 - 5000K	6 - 347/480VAC	Controls	Order and	Order and	Lens <sup>2</sup>
	200 - 200 Watts			Order and	Shipped	Shipped	PCL-Polycarbonate
	240 - 240 Watts			Shipped	Separately <sup>1</sup>	Separately <sup>1</sup>	Clear Lens <sup>2</sup>
				Separately <sup>1</sup>	HBG2-P1	HBG2-AL60	PFL-Polycarbonate
				MSW-JBOX	HBG2-P2	HBG2-AL90	Frosted lens <sup>2</sup>
					HBG2-TR	HBG2-PC60	

Notice:

1. Order and shipped separately as accessory. More details in the following accessory table.
2. Glass clear lens is standard. For PFL and PCL please ask Customer Service for MOQ and lead time.

## Photometry

All published luminaire photometric testing performed to IESNA LM-79-08 standards by a NVLAP certified laboratory.





## ■ FEATURES

1. Die-cast aluminum housing
2. 4000K and 5000K selectable
3. Integral motion sensor available
4. IP65 suitable for wet locations
5. Various lens and reflector available

## ■ Performance

Input Watts	100	145	200	236
Input Voltage	120-277	120-277	120-277	120-277
Output Lumens (@5000K)	13500	19000	26800	30680
Replaces (MH)	250W	400W	600W	800W
Lumen Per Watt	134	131	134	130
Color Accuracy (CRI)	80	80	80	80
Working Temperature	-40 - 104°F (-40 - 40°C)	-40 - 104°F (-40 - 40°C)	-40 - 104°F (-40 - 40°C)	-40 - 104°F (-40 - 40°C)

## ■ Dimensions & Weight

### 100W

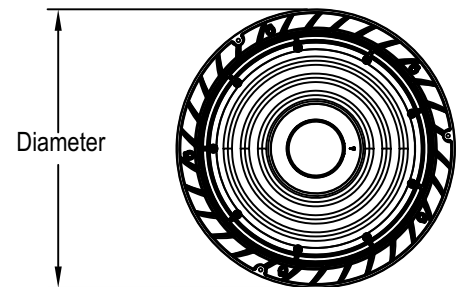
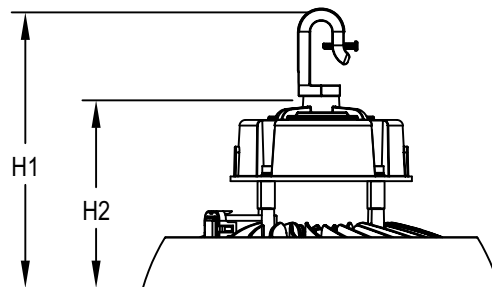
Diameter: 10.23"  
 Height 1: 5.50"  
 Height 2: 8.07"

### 150W

Diameter: 11.50"  
 Height 1: 5.43"  
 Height 2: 7.99"

### 200W/240W

Diameter: 12.80"  
 Height 1: 6.46"  
 Height 2: 9.02"



## Ordering Information Example: SRHB100-SW8-MSW

Series	Watts	CCT	Voltage	Controls	Installation	Distribution	Lens	Finsh
SRHB	100 - 100 Watts	SW - Selectable	1 - 120-277VAC	Blank - No	Blank - Hook	Blank-120°	Blank - Glass	Blank - Black
	150 - 150 Watts	White	8-120-347V	Controls	Order and	Order and	Clear Lens <sup>3</sup>	
	200 - 200 Watts	4000K/5000K <sup>1</sup>		MSW-	Shipped	Shipped	PC70-	
	240 - 240 Watts			Microwave Dimming Sensor	Separately SRHB-TR	Separately	Polycarbonate 70° Lens <sup>3</sup>	
						SRHB-AL90-S	70° Lens <sup>3</sup>	
						SRHB-AL90-M	PC90-	
						SRHB-AL90-L	Polycarbonate 90° Lens <sup>3</sup>	

Notice:

- 4000K is default setting. If need 5000K change the setting in the field.
  - Hook is standard. If without hook and trunnion, the fixture is suitable for 1/2" NPT stem pendent mount.
  - Glass clear lens is standard. 70° polycarbonate lens is not available for 90W and 100W.
- \* Black finish is standard. Custom color is available for a premium setup fee. Consult customer service for additional information.

## Accessories Information (Order Separately)



SRHB-AL90-S

90 degree aluminum reflector for 100W

SRHB-AL90-M

90 degree aluminum reflector for 150W

SRHB-AL90-L

90 degree aluminum reflector for 200W and 240W

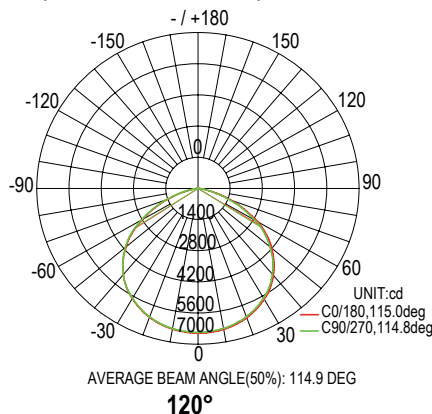


SRHB-TR

Trunnion Mount Bracket

## Photometry

All published luminaire photometric testing performed to IESNA LM-79-08 standards by a NVLAP certified laboratory.





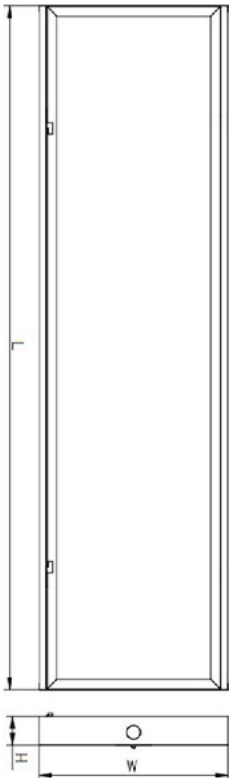
■ FEATURES

- 1. Top 5 led chip and driver
- 2. Motion sensor and EBU available
- 3. Wire guard, 120V and 277V plug and cord available

■ Performance

Input Watts (LM-79 Reported)	120	150	185
Input Voltage	120-277	120-277	120-277
Output Lumens (@5000K)	16489	20607	25300
Replaces (FL)	6 Lamp - 32W T8	4 Lamp - 54W T5	8 Lamp - 32W T8
Lumen Per Watt	138	136	138
Color Accuracy (CRI)	>80	>80	>80
Working Temperature	-4-104°F (-20-40°C)	-4-104°F (-20-40°C)	-4-104°F (-20-40°C)
IP Rating	IP20 Rated	IP20 Rated	IP20 Rated

■ Dimensions & Weight



**120W, 150W**

Length: 47.24"  
 Width: 13.78"  
 Height: 2"  
 Max. Weight: 15.21 lbs

**185W**

Length: 47.24"  
 Width: 19.7"  
 Height: 2"  
 Max. Weight: 20.01 lbs

■ Application



# DLC P LED Linear High Bay

## Ordering Information Example: LHB120501MSO-82

Linear High bay	Watts	CCT	Voltage	Controls	Beam Angle
LHB	120 - 120 Watts	35 - 3500K	1 - 120-277 V	MS - Dimming Motion Sensor <sup>1</sup>	82 - 82°
	150 - 150 Watts	40 - 4000K	2-347V	MSO - ON/OFF Motion Sensor <sup>2</sup>	
	185 - 185 Watts	50 - 5300K	6 - 347/480V	EBU - Emergency Battery Backup <sup>3</sup>	

**Notice:**

1. Dimming Motion Sensor is mounted at the end of fixture.
2. ON/ OFF Motion Sensor is mounted at the end of fixture.
3. Emergency battery backup is available in 10W with 1800lm @ 120-277V and works for a minimum of ninety (90) minutes. For ambient temperatures of 32°F-104°F(0°C-40°C). The emergency test button is pre-installed on fixture. 347/480V is not for emergency battery backup. The EBU is Title 20 compliant.

\* White finish is standard. Custom color is available for a premium setup fee. Consult customer service for additional information.

## Accessories Information (Order Separately)



**LHB-CLEAR-S** (For 120W&150W)  
**LHB-CLEAR-L** (For 185W)  
 Clear Lens including frame for Linear High Bay



**LHB 120V Plug and Cord**  
 120V molded plug and cord for LHB with pipe clamp for strain relief



**LHB-FROSTED-S** (For 120W&150W)  
**LHB-FROSTED-L** (For 185W)  
 Frosted Lens including frame for Linear High Bay



**LHB 277V Plug and Cord**  
 277V molded plug and cord for LHB with pipe clamp for strain relief

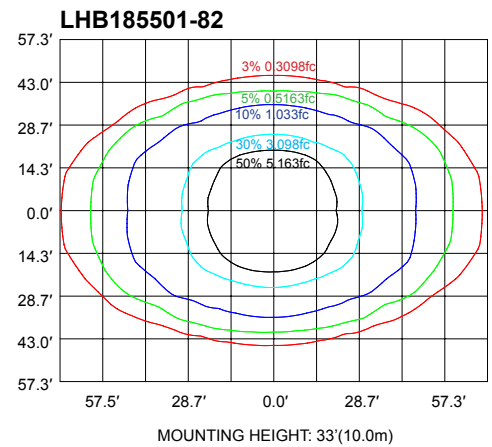
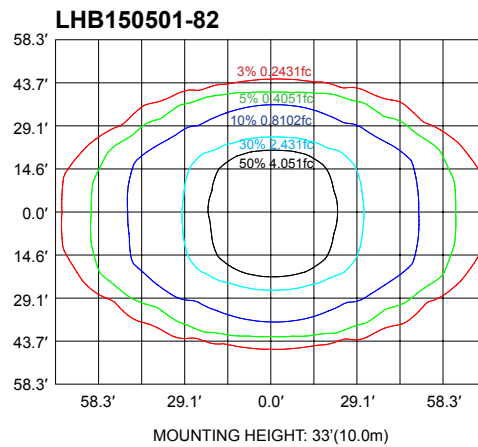
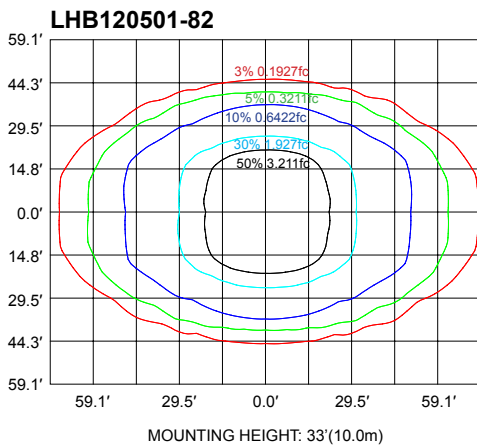


**LHB-WG-S** (For 120W&150W)  
**LHB-WG-L** (For 185W)  
 Wire Guard for Linear High Bay

## Photometry

All published luminaire photometric testing performed to IESNA LM-79-08 standards by a NVLAP certified laboratory.

Mounting Height	10	12	15	18	20	25	33
Multiplier	10.9	7.6	4.9	3.4	2.8	1.8	1



**Note:** Please visit our website for more details.





## ■ FEATURES

1. Textured lens option minimizes glare
2. Achieves up to 149 °F (65 °C) ambient rating
3. Performs at up to 180 lm/W
4. 10kV surge suppression protection optional

## ■ Performance

Input Watts (LM-79 Reported)	65	95	135	175	220
Input Voltage	120-277	120-277	120-277	120-277	120-277
Output Lumens (@5000K)	11400	17500	23600	31500	37800
Lumen Per Watt	175	175	175	180	180
Color Accuracy (CRI)	80	80	80	80	80
<b>Lens</b>	<b>None</b>	<b>None</b>	<b>None</b>	<b>None</b>	<b>None</b>
Length	2FT	2FT	2FT	2FT	2FT
Working Temperature	-4-149°F (-20-65°C)	-4-149°F (-20-65°C)	-4-149°F (-20-65°C)	-4-149°F (-20-65°C)	-4-140°F (-20-60°C)
IP Rating	IP20 Rated	IP20 Rated	IP20 Rated	IP20 Rated	IP20 Rated
Input Watts (LM-79 Reported)	220	270	350	420	
Input Voltage	120-277	120-277	120-277	120-277	
Output Lumens (@5000K)	37800	47300	63000	75600	
Lumen Per Watt	180	175	180	180	
Color Accuracy (CRI)	80	80	80	80	
<b>Lens</b>	<b>None</b>	<b>None</b>	<b>None</b>	<b>None</b>	
Length	4FT	4FT	4FT	4FT	
Working Temperature	-4-149°F (-20-65°C)	-4-149°F (-20-65°C)	-4-149°F (-20-65°C)	-4-149°F (-20-65°C)	
IP Rating	IP20 Rated	IP20 Rated	IP20 Rated	IP20 Rated	

Lens	Lumen Multiplier
None	1
Clear Polycarbonate (PCL)	0.91
Acrylic Clear (ACL)	0.93
Polycarbonate Frosted (PFL)	0.88
Acrylic Frosted (AFL)	0.89

# Heavenly Linear High Bay

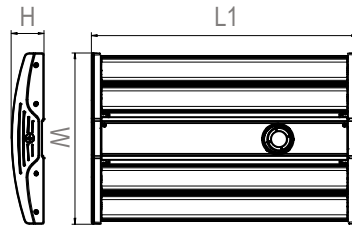
## ■ Performance

Input Watts (LM-79 Reported)	65	95	135	175	210
Input Voltage	120-277	120-277	120-277	120-277	120-277
Output Lumens (@5000K)	10340	15900	21470	28700	34440
Lumen Per Watt	159	159	159	164	164
Color Accuracy (CRI)	80	80	80	80	80
<b>Lens</b>	<b>PCL</b>	<b>PCL</b>	<b>PCL</b>	<b>PCL</b>	<b>PCL</b>
Length	2FT	2FT	2FT	2FT	2FT
Working Temperature	-4-149°F (-20-65°C)	-4-149°F (-20-65°C)	-4-149°F (-20-65°C)	-4-149°F (-20-65°C)	-4-140°F (-20-60°C)
IP Rating	IP20 Rated	IP20 Rated	IP20 Rated	IP20 Rated	IP20 Rated
Input Watts (LM-79 Reported)	210	270	350	420	
Input Voltage	120-277	120-277	120-277	120-277	
Output Lumens (@5000K)	34440	42930	57400	68880	
Lumen Per Watt	164	159	164	164	
Color Accuracy (CRI)	80	80	80	80	
<b>Lens</b>	<b>PCL</b>	<b>PCL</b>	<b>PCL</b>	<b>PCL</b>	
Length	4FT	4FT	4FT	4FT	
Working Temperature	-4-149°F (-20-65°C)	-4-149°F (-20-65°C)	-4-149°F (-20-65°C)	-4-140°F (-20-60°C)	
IP Rating	IP20 Rated	IP20 Rated	IP20 Rated	IP20 Rated	

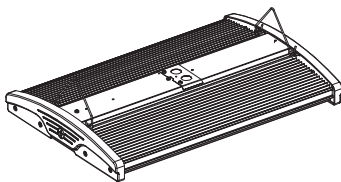
## ■ Dimensions & Weight

2FT HLHB	4FT HLHB
L1: 24"	L1: 45.5"
W: 16.25"	W: 16.25"
H: 3.15"	H: 3.15"

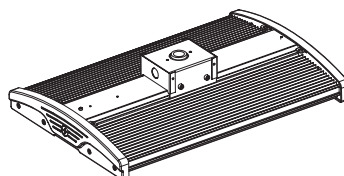
For MS-L7W



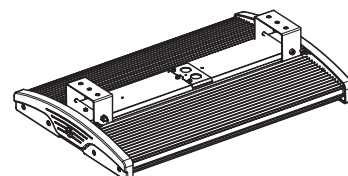
## ■ Installation



V Hook Mounting



Pendant Mounting



Channel Mounting



## ■ Ordering Information Example: HLHB02-175501-G

Series	Length	Watts	CCT	Voltage	Controls	Distribution	LENS	
HLHB	02 - 2FT <sup>1</sup>	65 - 65 Watts	35-3500K	1 - 120V-277V	Blank - None	G - General <sup>8</sup>	Ordered and shipped separately <sup>9</sup>	
		95 - 100 Watts	40-4000K	6 - 347/480V	MS-L7W - Wattstopper Motion		PCL - Polycarbonate Clear Lens <sup>4</sup>	
		135 - 135 Watts	50-5000K		Sensor with White L7 Lens <sup>7</sup>		PFL - Polycarbonate Frosted Lens	
		175 - 175 Watts			EBU - Emergency Battery Backup <sup>3</sup>		AFL - Acrylic Frosted Len <sup>5</sup>	
		220 - 210 Watts			MOD3-Enlighted 0-10V <sup>10</sup>		ACL - Acrylic Clear Lens <sup>6</sup>	
	04 - 4FT <sup>2</sup>	220 - 210 Watts						
		270 - 270 Watts						
		350 - 350 Watts						
		420 - 420Watts						

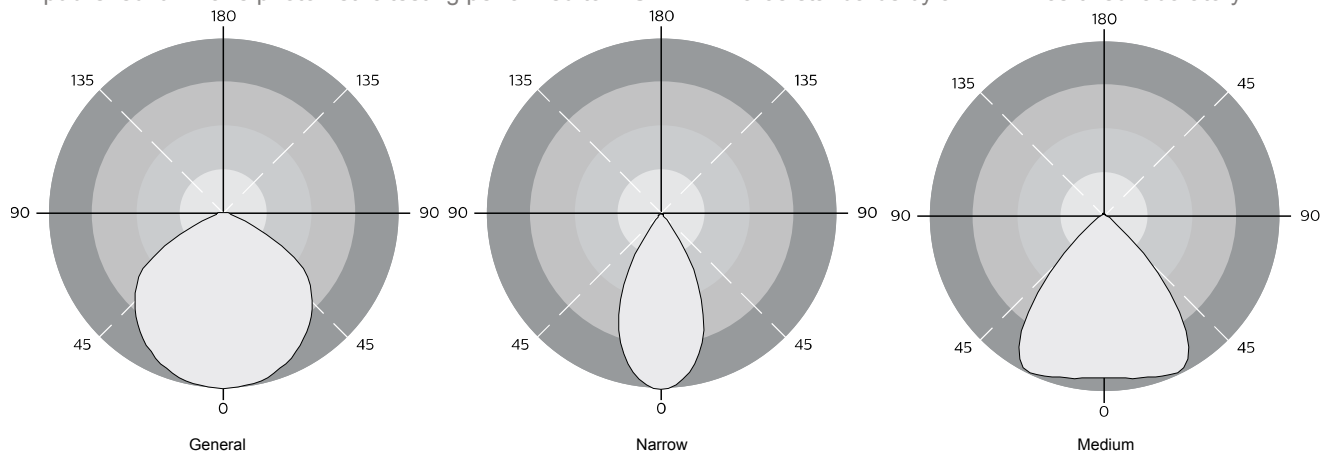
### Notice:

- 2FT HLHB is available from 65W to 210W
- 4FT HLHB is available from 210W to 420W
- Emergency battery backup is available in 10W with 1800lm @ 120-277V and works for a minimum of ninety (90) minutes. For ambient temperatures of 32°F-104°F(0°C-40°C). The emergency test button is pre-installed on fixture. 347/480V is not for emergency battery backup. The EBU is Title 20 compliant.
- Polycarbonate clear lens is standard. If for polycarbonate frosted lens, acrylic clear and frosted lens, please contact customer service for lead time firstly
- Acrylic frosted lens is not available with Narrow and Medium distribution
- Acrylic clear lens is not available with Narrow and Medium distribution
- Dimming default setting is Bi-Level dim and dimming to 50%. Besides, daylight sensor default setting is disable. If need other dimming levels such as 20% or 30% , ON/OFF sensor and daylight sensor functions please contact the Customer Service or please change the settings by yourself at site.
- General distribution is standard. Medium and narrow distributions are available, please contact Customer Service if needed.
- Lens for general distribution are ordered and shipped separately. Please refers to the accessory table for details.
- Enlighted control is only for 120-277V and will take long time. Luminaire will be shipped with Sensors installed on the luminaire, allowing for individual luminaire control. Luminaires will be ready to be integrated with designated control systems. "Gateway program" need to be purchased separately- Please Ask Customer Service in advance for Details.

\* White end cap and aluminum finish body is standard. Custom color is available for a premium setup fee. Consult customer service for additional information.

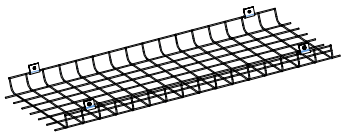
## ■ Photometry

All published luminaire photometric testing performed to IESNA LM-79-08 standards by a NVLAP certified laboratory.

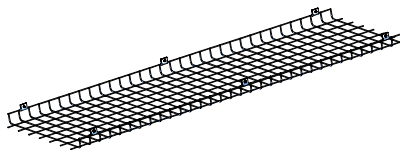


# Heavenly Linear High Bay

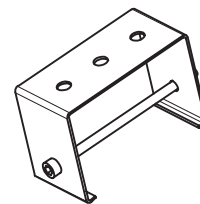
## ■ Accessories Information (Order Separately)



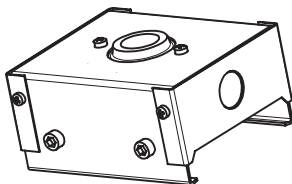
**90205**  
HLHB02-WG  
Wire guard for 2ft heavenly linear high bay



**90206**  
HLHB04-WG  
Wire guard for 4ft heavenly linear high bay



**90207**  
HLHB-CMK  
Channel mounting kits for heavenly linear high bay



**90208**  
HLHB-PMK  
Pendant mounting kits for heavenly linear high bay



**N/A**  
V-clip pair  
A pair of V-clips for heavenly linear high bay  
Notices: V-clip mounting kits is standard and shipped together. All the other Accessories need to be ordered separately.



**90097**  
LHB 120V Plug and Cord  
6 feet 120V molded plug and cord for LHB with pipe clamp for strain relief



**90098**  
LHB 277V Plug and Cord  
6 feet 277V molded plug and cord for LHB with pipe clamp for strain relief



**90252**  
HLHB04-G-PFL  
4 pieces of polycarbonate frosted lens for 4ft HLHB, general distribution



**90258**  
HLHB02-G-PFL  
4 pieces of polycarbonate frosted lens for 2ft HLHB, general distribution



**90255**  
HLHB04-G-PCL  
4 pieces of polycarbonate clear lens for 4ft HLHB, general distribution

**90259**  
HLHB02-G-PCL  
4 pieces of polycarbonate clear lens for 2ft HLHB, general distribution

**90256**  
HLHB04-G-AFL  
4 pieces of acrylic frosted lens for 4ft HLHB, general distribution

**90260**  
HLHB02-G-AFL  
4 pieces of acrylic frosted lens for 2ft HLHB, general distribution

**90308**  
AC10-HK-300YF  
Gripple Aircraft cable 10' with lock and hook, Y-fit (one piece)

**90257**  
HLHB04-G-ACL  
4 pieces of acrylic clear lens for 4ft HLHB, general distribution

**90261**  
HLHB02-G-ACL  
4 pieces of acrylic clear lens for 2ft HLHB, general distribution

### Notice:

1. Please order two pieces for one fixture.
2. Please check a separate manual for details of Gripple Aircraft Cable.

Warrior

Warrior

Junior Warrior

BRING EVERYTHING  
YOU'VE GOT

HANG IN THERE

CHALLENGE  
YOURSELF TO BE  
THE BEST

# GEN.2 LED Linear High Bay



## ■ FEATURES

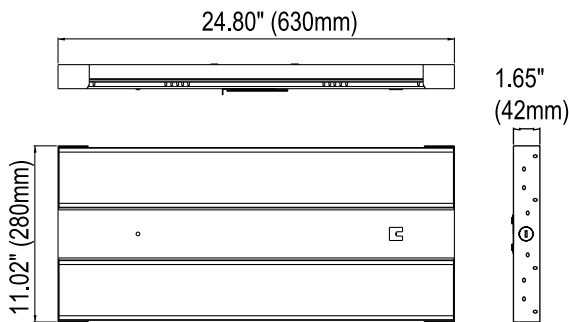
1. Comes in 2ft and 4ft, up to 40,000lm
2. Wide voltage from 120V to 347V
3. Various Sensor options
4. Wire Guard and different mounting kits available

## ■ Performance

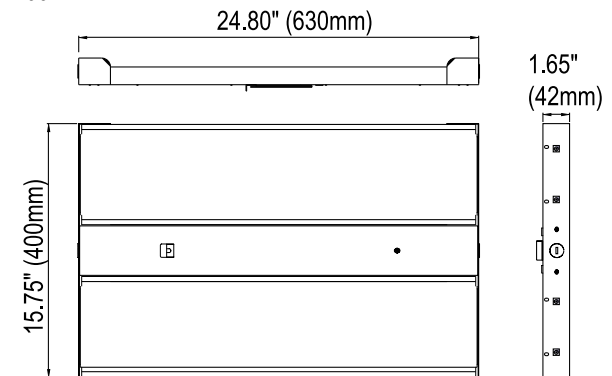
Input Watts (LM-79 Reported)	100	150	200	300
Input Voltage	120-277	120-277	120-277	120-277
Output Lumens (@5000K)	13000	19500	26400	39900
Lumen Per Watt	130	130	132	133
Color Accuracy (CRI)	>80	>80	>80	>80
Length	2FT	2FT	2FT	4FT
Working Temperature	-4-104°F (-20-40°C)	-4-104°F (-20-40°C)	-4-104°F (-20-40°C)	-4-149°F (-20-65°C)
IP Rating	IP20 Rated	IP20 Rated	IP20 Rated	IP20 Rated

## ■ Dimensions & Weight

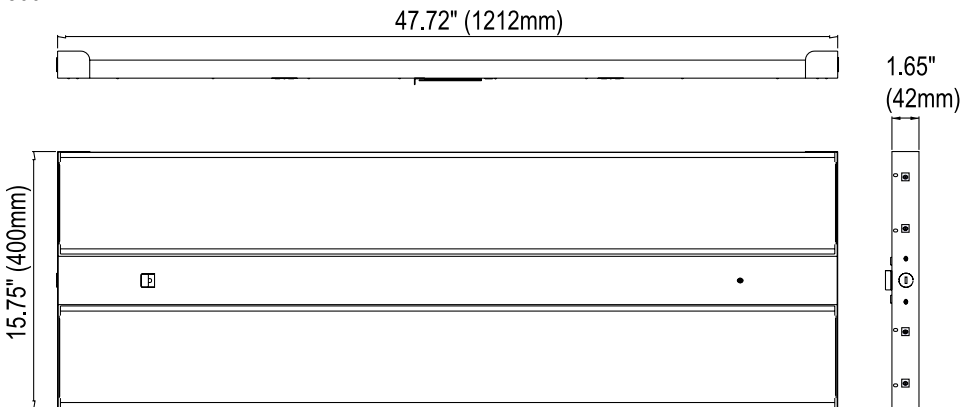
### 100W/150W



### 200W



### 300W



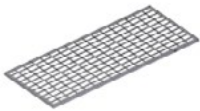
Series	Length	Watts	CCT	Voltage	Controls	Distribution	LENS
LHBG2	02 -2FT	100 - 100 Watts	40 - 4000K	8 - 120V-347Vac	Blank - None Ordered and Shipped Separately	G - General	AFL - Acrylic Frosted Len
		150 - 150 Watts	50 - 5000K				
		200 - 200 Watts					
	04 -4FT	300 - 300 Watts			Microwave sensor / PIR occupancy sensor <sup>1</sup>		

**Notice:**

1. Microwave sensor and PIR occupancy sensor need to be bought separately and field installed. Please check the accessory table for more details

\* White finish is standard. Custom color is available for a premium setup fee. Consult customer service for additional information.

## ■ Accessories Information (Order Separately)



**LHBG2-02-WG-S**

Wire Guard for 2ft

LHBG2, 100W and 150W

**LHBG2-02-WG-L**

Wire Guard for 2ft

LHBG2, 200W

**LHBG2-04-WG**

Wire Guard for 4ft

LHBG2, 300W



**90479**

**16-3C-600V-10FT-BK**

10ft black three-wire cable,  
16AWG, 600V, E123366



**MC054V RC D 120-277V**

Microwave dimming sensor, 120-277V

**MC609V RC D 120-347V**

Microwave dimming sensor, 120-347V

**Factory Default Setting**

Detection area:100%,Hold time: 5min, Stand-by Period: 10min,

Stand-by dim level:50%, Daylight Sensor: Disable

Notice: The microwave motion sensor is for mounting height of 49.2ft (15m) Max.



**90144**

**FSP-211B-S-L7-W**

Legrand Dimming Motion Sensor,120/277 VAC

Remote Control: FSIR-100 (order separately)

**90357**

**FSP-221B-S-L7-W**

Legrand Dimming Motion Sensor,100-347VAC or 208/230/480VAC

Remote Control: FSIR-100 (order separately)

**Factory Default Setting**

- High mode: 0-10V; default 10V

- Low mode: Off, 0-9.8V; default 5V

- Time delay: 30 sec., 5-30 min.; default 5 min.

- Cut off delay: none, 1-60 min. 1-5 hrs.; default 10 min.

Notice: Max coverage 100'diameter from 40' height

# GEN.2 LED Linear High Bay

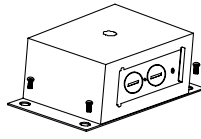


## 90226

Legrand ON/OFF Motion Sensor, 120/277 VAC  
Remote Control: FSIR-100 (order separately)

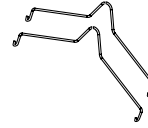
## 90227

HB340W 347/480 VAC  
Legrand ON/OFF Motion Sensor, 347/480 VAC  
Remote Control: FSIR-100 (order separately)  
Factory Default Setting  
Detection area: 100%, Cut off delay: 15min  
Notice: Max coverage 100' diameter from 40' height



## LHBG2-PMK

Pendant Mounting Kits for  
GEN.2 led linear high bay

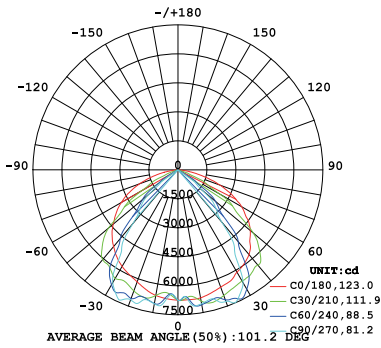


## LHBG2-VCP (PAIR)

A pair of V-clips for  
GEN.2 led linear high bay  
Notices: V-clip mounting kits is standard and  
shipped together. All the other Accessories  
need to be ordered separately.

## ■ Photometry

All published luminaire photometric testing performed to IESNA LM-79-08 standards by a NVLAP certified laboratory.



# MAGIC LED LINEAR LIGHT



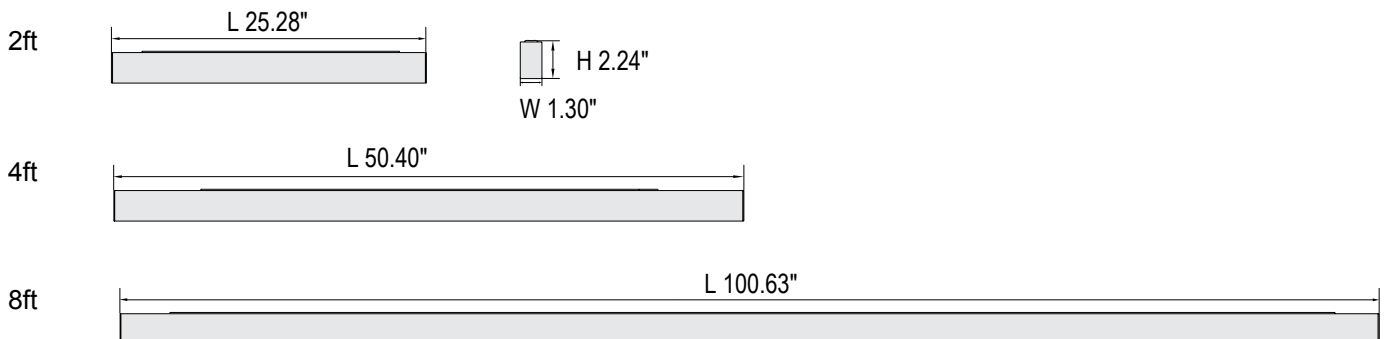
1. Comes in lengths of 2', 4', and 8'
2. Direct and indirect available
3. Available with several lit joiner accessories for unlimited lighting pattern design
4. Professional lenses available in flush diffused, louver, micro reflector and drop lens
5. Surface, pendant and wall mount optional
6. Microwave sensor and EBU are available

## ■ Performance

Input Watts (LM-79 Reported)	20W (2FT) /40W (4FT)/ 80W (8FT)	20W (2FT) /40W (4FT)/ 80W (8FT)
Input Voltage	120-277	120-277
Efficacy @3500K	UP/Down Light 110lm/w 100% Uplight 115lm/w 100% Downlight 95lm/w	UP/Down Light 90lm/w 100% Downlight 65lm/w
Color Accuracy (CRI)	80	80
Working Temperature	-4-104°F (-20-40°C)	-4-104°F (-20-40°C)

Input Watts (LM-79 Reported)	20W (2FT) /40W (4FT)/ 80W (8FT)	20W (2FT) /40W (4FT)/ 80W (8FT)
Input Voltage	120-277	120-277
Efficacy @3500K	UP/Down Light 120lm/w 100% Downlight 100lm/w	UP/Down Light 105lm/w 100% Downlight 95lm/w
Color Accuracy (CRI)	80	80
Working Temperature	-4-104°F (-20-40°C)	-4-104°F (-20-40°C)

## ■ Dimensions & Weight



# MAGIC LED LINEAR LIGHT

## Ordering Information

Example: MAG12301-PM-D-FDL



### 1. Series

MAG

### 2. Length

06 - 2FT     12 - 4FT     24 - 8FT

### 3. Width

Blank - 1.3 Inch

### 4. Driver

Blank - Integral

### 5. CCT

30 - 3000K     40 - 4000K

35 - 3000K<sup>1</sup>

1. 3500K is standard. Please contact Custom Service in advance for other CCT. It may need long lead time.

### 6. Voltage

1 - 120-277V

### 7. Mounting Options

PM - Pendant<sup>1</sup>     SM - Surface Mounted<sup>2</sup>

WM - Wall Mounted<sup>2</sup>

1. Pendant mount is standard. Pendant mount kits include dry ceiling and drop ceiling and they need to be bought separately. Please refer to the following accessory table to choose the right pendant mounting kits.
2. It may need long time for surface or wall mount. Please contact Custom Service in advance for surface or wall mount.

### 8. Light Distribution

D - 100% Downlight<sup>1</sup>

U - 100% Uplight

A1 - 50% down, 50% up<sup>1</sup>

A2 - 75% down, 25% up

A3 - 25% down, 75% up

C1 - Customize \_\_\_% down \_\_\_% Up

1. Distribution option of "D" and "A1" are standard. Other light distribution may need long time please check with CustomerService in advance. If for surface mount, only 100% downlight can be chose.

\* Data was based on the diffuser optics. It has ± 10% change for different lens optics.

### 9. Lens Options

FDL - Flush Diffused Lens

DPL - Drop Lens

LVL - Louver Lens

MRF - Micro Reflector

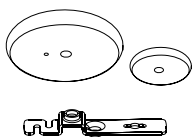
\* If the joined length exceeds 8ft, only continous Roll-Out Lens can be used.

### 10. Finish

Blank - White     BK - Black

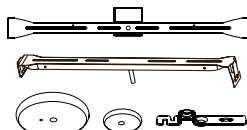
\* White finish is standard. Custom color is available for a premium setup fee. Consult customer service for additional information.

## Accessories Information (Order Separately)



### MAG-PMK1

Pendant Mount Kit  
for Dry Ceiling



### MAG-PMK2

Pendant Mount Kit for  
Drop Ceiling



### MAG-LINE

Line Shape Mount Bracket



### MAG-CROSS

Cross Shape  
Mount Bracket



# MAGIC LED LINEAR LIGHT



**MAG-T**  
T Shape  
Mount Bracket



**MAG-L**  
L Shape  
Mount Bracket



**MAG-ROL<sup>1</sup>**  
Continuous Roll-  
Out Lens (43')



**MAG-MSW<sup>2</sup>**  
Microwave Motion  
Sensor Kits



**MAG-EBU<sup>3</sup>**  
Microwave Motion  
Sensor Kits



**RC-100**  
Remote Control  
for Microwave  
Motion Sensor

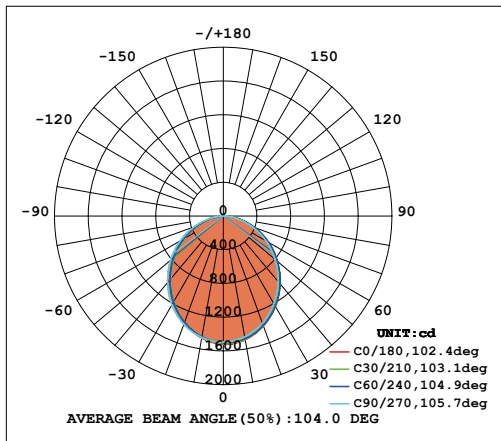
Notes:

1. If the joined length exceeds 8ft, only continuous Roll-Out Lens can be used.
2. Microwave dimming sensor, for mounting height 20ft (6m) max. Dimming default setting is Bi-Level dim and dimming to 50%. Besides, daylight sensor default setting is disable. If need other dimming levels such as 10% or 30%, ON/OFF function and daylight sensor function, please consult with customer service in advance.
3. Emergency battery back-up is for ambient temperatures of 32°F -95°F (0°C -35°C).

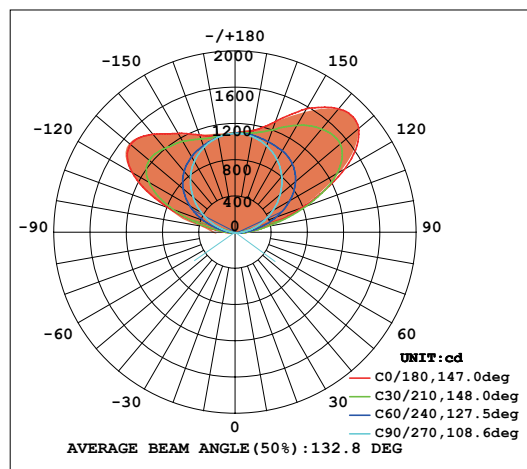
## ■ Photometry

All published luminaire photometric testing performed to IESNA LM-79-08 standards by a NVLAP certified laboratory.

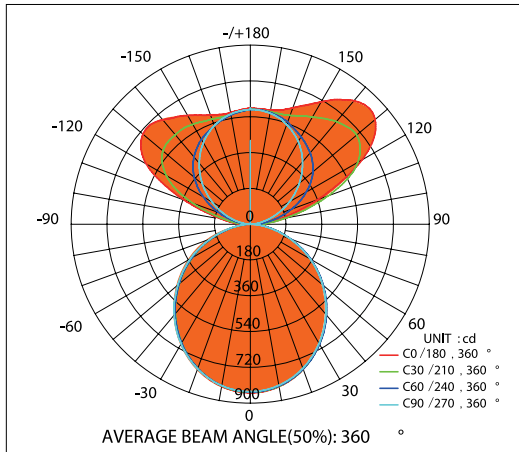
**MAG12351-PM-D-FDL**  
100% Downlight with Flush Diffused Lens



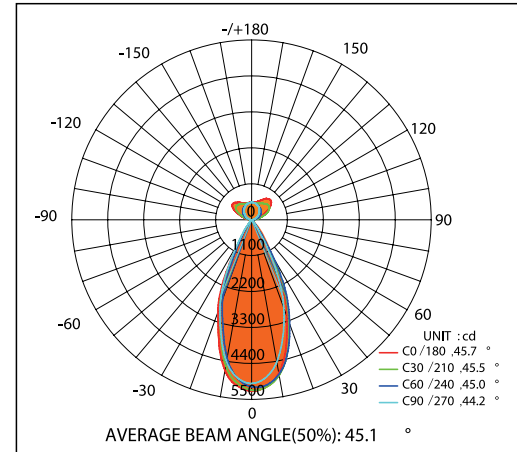
**MAG12351-PM-U-FDL**  
100% Uplight with Flush Diffused Lens



**MAG12351-PM-A1-FDL**  
50% Downlight and 50% Uplight with Flush Diffused Lens



**MAG12351-PM-A2-MRF**  
75% Downlight and 25% Uplight with Micro Reflector



# SLEEKCEILING LED LUMINAIRE



## FEATURES

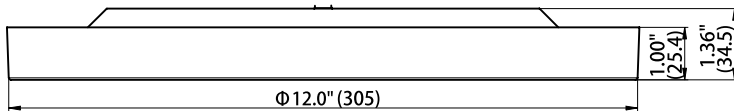
1. Edge-lit technology, even illuminations
2. Simple and elegant appearance design
3. Easy to install on various standard junction boxes with a quick snap
4. Triac and 0-10V dimming optional
5. Suitable for damp locations

## Performance

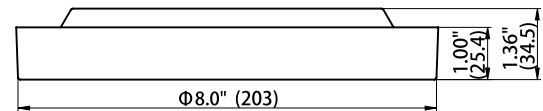
Input Watts (LM-79 Reported)	13	20
Input Voltage	120-277	120-277
Output Lumens (@3000K)	1050	1800
Replaces (FL)	6 Lamp - 32W T8	6 Lamp - 32W T8
Lumen Per Watt	80	80
Color Accuracy (CRI)	80	90
Working Temperature	-4-113°F (-20-45°C)	-4-113°F (-20-45°C)
IP Rating	IP20 Rated	IP20 Rated

## Dimensions & Weight

12 In



8 In



## Ordering Information

Example: SKC08R-10LM27801

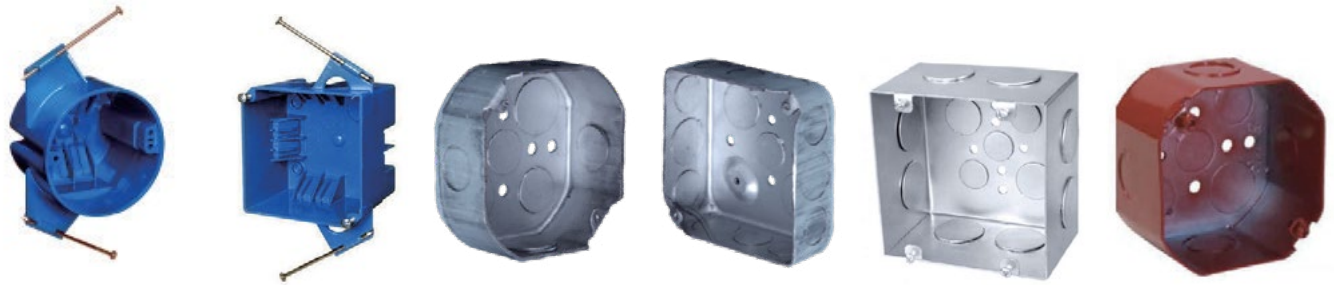
Series	Dimension	Shape	Lumens	CCT	CRI	Voltage	Controls	Finish
SKC	08 - 8"	R - Round	10LM - 1000 Lumens	27 - 2700K <sup>1</sup>	80 - 80Ra	1 - 120V-277V <sup>3</sup>	Blank - None	Blank - White <sup>4</sup>
				35 - 3500K	90 - 90Ra <sup>2</sup>	4 - 120V <sup>3</sup>		
	12 - 12"		18LM - 1800 Lumens	35 - 3500K <sup>1</sup>				
				40 - 4000K				

# SLEEKCEILING LED LUMINAIRE

**Notice:**

1. 3000K and 4000K are standard. 2700K and 3000K may need MOQ and long lead time. Please contact Customer Service in advance for details.
2. 80Ra is standard. 90Ra may need MOQ and long lead time. Please contact Customer Service in advance for details.
3. 120-277V is 0-10V dimming; 120V is triac dimming.
4. White finish is standard. Custom color is available for a premium setup fee. Consult customer service for additional information.

## ■ Accessories Information (Order Separately)



3 1/2" round (plastic)

4" square (plastic)

4" octagonal (metal)

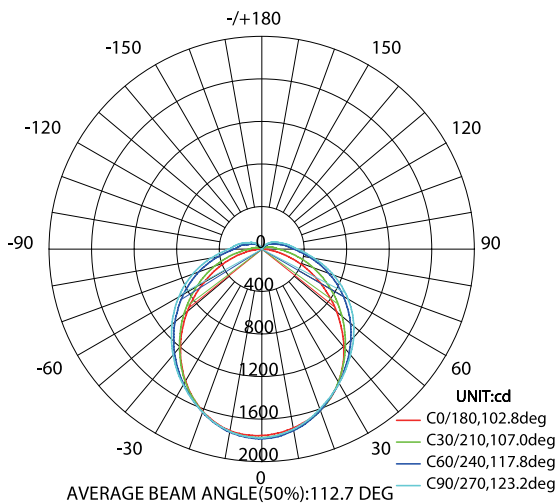
4" square (metal)

4 11/16" square (metal)

**Fire rated J-box per the ceiling and junction  
Fire rated classification is box ratings.**

## ■ Photometry

All published luminaire photometric testing performed to IESNA LM-79-08 standards by a NVLAP certified laboratory.





↑ Patient Rooms 221-233 ↑

← EXIT

CHILDREN'S HOSPITAL →  
WOMENS HOSPITAL →

↑ Patient Rooms 221-233 ↑

EXIT

EXIT

# PMMA, Samsung LED Chip LED Flat Panel



## ■ FEATURES

1. TOP 5 LED Chip
2. Standard 1-10V Dimming
3. EBU Backup Available
4. PMMA Light Transmitter

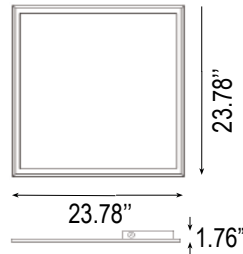
## ■ Performance

Size	1x4	2x2	2x4	2x4
Input Watts (LM-79 Reported)	38	38	38	53
Input Voltage	120-277	120-277	120-270	120-277
Output Lumens (@3000K)	4180	4180	3850	5300
Replaces (FL)	2x32W FL	3x17W FL	3x32W FL or 4x32W FL	3x32W FL or 4x32W FL
Lumen Per Watt	110	110	110	110
Color Accuracy (CRI)	>80	>80	>80	>80
Working Temperature	-4-104°F (-20-40°C)	-4-104°F (-20-40°C)	-4-104°F (-20-40°C)	-4-104°F (-20-40°C)
IP Rating	IP20 Rated	IP20 Rated	IP20 Rated	IP20 Rated

## ■ Dimensions & Weight

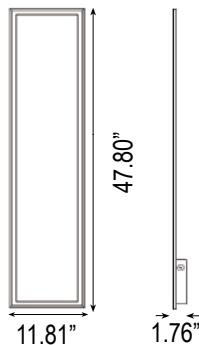
### 2X2

Length: 23.78"  
 Width: 23.78"  
 Height: 1.76"  
 Max. Weight: 8.8 lbs



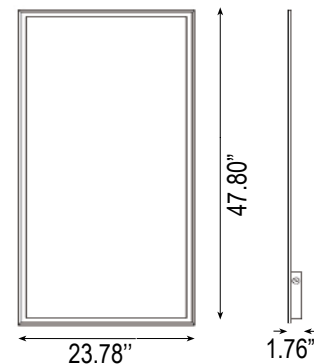
### 1X4

Length: 47.80"  
 Width: 11.81"  
 Height: 1.76"  
 Max. Weight: 8.8 lbs



### 2X4

Length: 47.80"  
 Width: 23.78"  
 Height: 1.76"  
 Max. Weight: 17.6 lbs



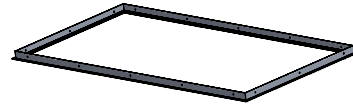
# PMMA, Samsung LED Chip LED Flat Panel

## Accessories Information (Order Separately)



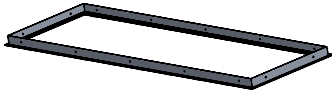
### FLP 1\*4 Surface Mount Kit

1\*4 Flat Panel Accessories  
2\*2 Flat Panel Surface Mount Kit  
2\*4 Flat Panel Surface Mount Kit



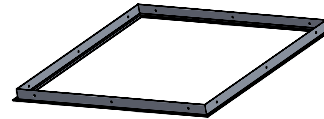
### FLP 2\*4 Flange Kit

2\*4 Flat Panel Recessed Mount Kit



### FLP 1\*4 Flange Kit

1\*4 Flat Panel Recessed Mount Kit



### FLP 2\*2 Flange Kit

2\*2 Flat Panel Recessed Mount Kit

## Ordering Information Example: FLP14D3835

Flat LED Panel	Dimention	Dimmable	Watts	CCT	EBU
FLP	22 - 2x2'	D - 1-10V dimming	38 - 38W	30 - 3000K	EBU - Emergency Battery Back-up <sup>1</sup>
	14 - 1x4'			35 - 3500K	
	24 - 2x4'			40 - 4000K	
			38 - 35W	50 - 5000K	
			53 - 53W		

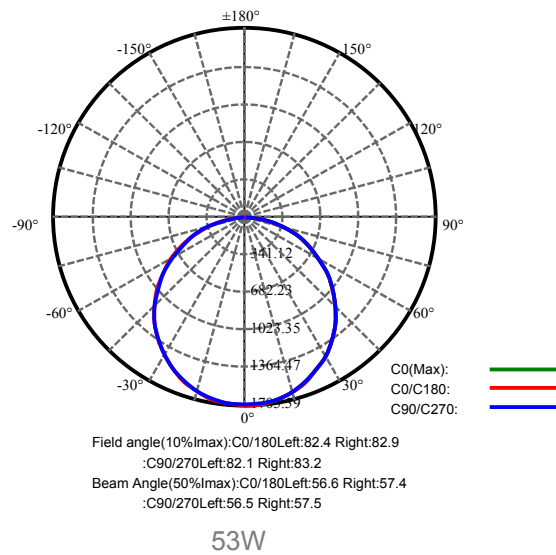
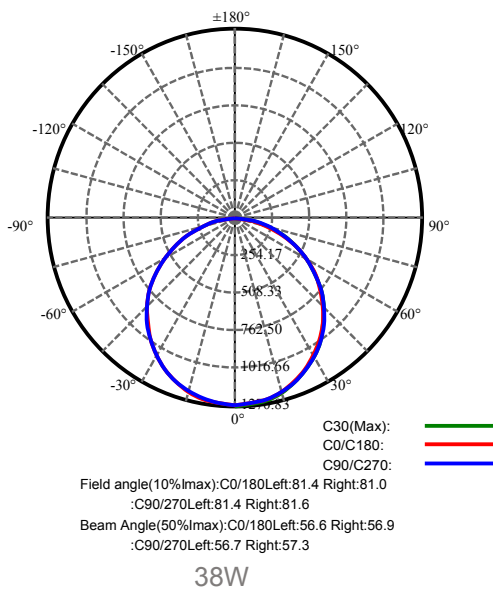
Notice:

1. Emergency battery backup is available in 5W with about 640lm @ 5000K. The EBU is Title 20 compliant.

\* Standard Finish as White. Special Order as other finish color - Ask Customer Service for Details

## Photometry

All published luminaire photometric testing performed to IESNA LM-79-08 standards by a NVLAP certified laboratory.



Note: Please visit our website for more details.





## ■ FEATURES

1. TOP 5 LED Chip
2. Standard 1-10V Dimming
3. EBU Backup Available
4. PMMA Light Transmitter

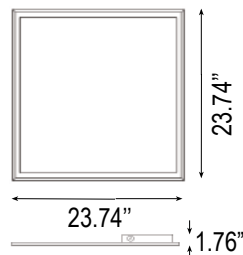
## ■ Performance

Size	1x4	2x2	2x4	2x4
Input Watts (LM-79 Reported)	38	38	38	48
Input Voltage	120-277	120-277	120-270	120-270
Output Lumens (@5000K)	3960	3960	3850	5300
Replaces (FL)	2x32W FL	3x17W FL	2 x 32W FL	2 x 32W FL
Lumen Per Watt	110	110	110	110
Color Accuracy (CRI)	>80	>80	>80	>80
Working Temperature	-4-104°F (-20-40°C)	-4-104°F (-20-40°C)	-4-104°F (-20-40°C)	-4-104°F (-20-40°C)
IP Rating	IP20 Rated	IP20 Rated	IP20 Rated	IP20 Rated

## ■ Dimensions & Weight

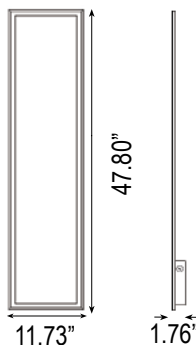
### 2X2

Length: 23.74"  
 Width: 23.74"  
 Height: 1.76"  
 Max. Weight: 8.8 lbs



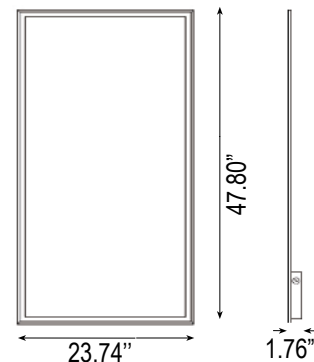
### 1X4

Length: 47.80"  
 Width: 11.73"  
 Height: 1.76"  
 Max. Weight: 8.8 lbs



### 2X4

Length: 47.80"  
 Width: 23.74"  
 Height: 1.76"  
 Max. Weight: 17.6 lbs



# Sky LED Flat Panel

## Ordering Information Example: FLP14D3835

Name	Dimension	Dimmable	Watts	CCT	Control
SFLP	22 - 2x2'	D - 1-10V dimming	38 - 36W	30 - 3000K	Blank - None
	14 - 1x4'			35 - 3500K	EBU - Emergency
				40 - 4000K	Battery Back-up <sup>1</sup>
24 - 2x4'			38 - 35W		
			48 - 48W		

Notice:

- Emergency battery backup is available in 5W with about 640lm @ 5000K. The EBU is Title 20 compliant.
- \* Standard Finish as White. Special Order as other finish color - Ask Customer Service for Details

## Accessories Information (Order Separately)



**90106**  
FLP 2\*2 Surface Mount Kit

**90122**  
FLP 1\*4 Surface Mount Kit

**90123**  
FLP 2\*4 Surface Mount Kit



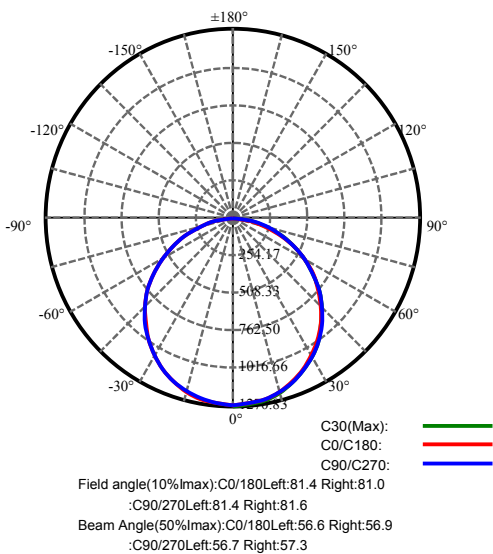
**90139**  
FLP 1\*4 Flange Kit

**90140**  
FLP 2\*4 Flange Kit

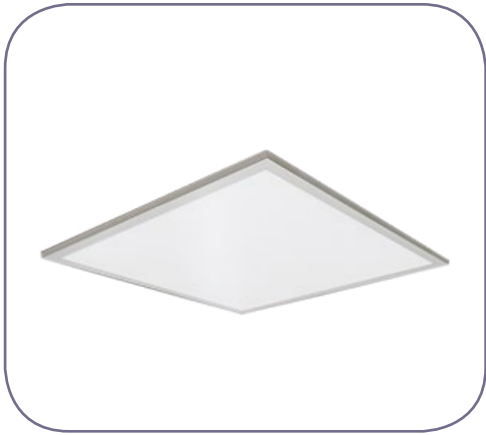
**90141**  
FLP 2\*2 Flange Kit

## Photometry

All published luminaire photometric testing performed to IESNA LM-79-08 standards by a NVLAP certified laboratory.







## ■ FEATURES

1. 120-347V available
2. Emergency battery back-up optional
3. Low-profile and back-lit design
4. Excellent color consistency and CRI

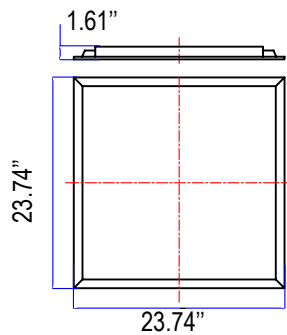
## ■ Performance

Size	1x4	2x2	2x4
Input Watts (LM-79 Reported)	40	40	48
Input Voltage	120-277	120-277	120-270
Output Lumens (@3500K)	4400	4400	5280
Replaces (FL)	2x32W FL	3x17W FL	3x32W FL and 4x32W FL
Lumen Per Watt	110	110	110
Color Accuracy (CRI)	>80	>80	>80
Working Temperature	-4-104°F (-20-40°C)	-4-104°F (-20-40°C)	-4-104°F (-20-40°C)
IP Rating	IP20 Rated	IP20 Rated	IP20 Rated

## ■ Dimensions & Weight

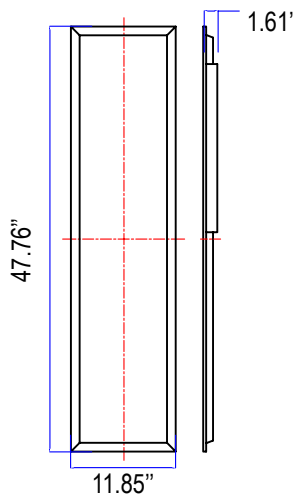
### 2X2

Length: 23.74"  
 Width: 23.74"  
 Height: 1.61"  
 Max. Weight: 4.85 lbs



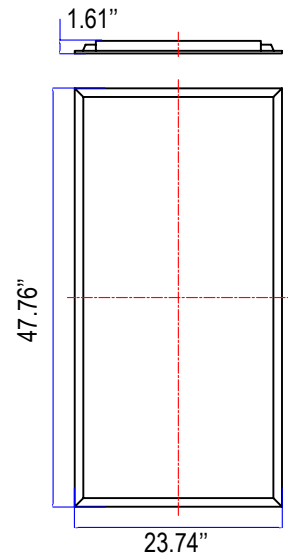
### 1X4

Length: 47.76"  
 Width: 11.85"  
 Height: 1.61"  
 Max. Weight: 4.85 lbs



### 2X4

Length: 47.76"  
 Width: 23.74"  
 Height: 1.61"  
 Max. Weight: 9.57 lbs



## Back-lit LED Flat Panel

### Ordering Information Example: BFLP22D40358

Name	Dimension	Dimmable	Watts	CCT	Voltage	Control
BFLP	22 - 2x2'	D - 1-10V dimming	40 - 40W	30 - 3000K	1- 120-277V	Blank - None
	35 - 3500K			8-120-347V	EBU - Emergency	
	14 - 1x4'		40 - 40W	40 - 4000K		Battery Back-up
	24 - 2x4'		48 - 48W	50 - 5000K		

Notice:

\* Standard Finish as White. Special Order as other finish color - Ask Customer Service for Details

### Accessories Information (Order Separately)



**90106**

FLP 2\*2 Surface Mount Kit

**90122**

FLP 1\*4 Surface Mount Kit

**90123**

FLP 2\*4 Surface Mount Kit



**90139**

FLP 1\*4 Flange Kit

**90140**

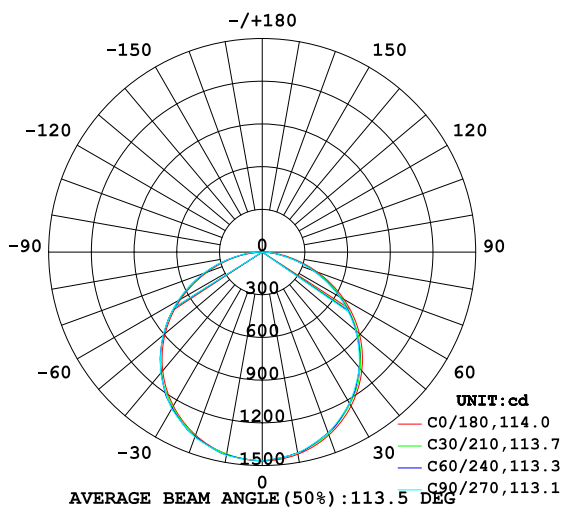
FLP 2\*4 Flange Kit

**90141**

FLP 2\*2 Flange Kit

### Photometry

All published luminaire photometric testing performed to IESNA LM-79-08 standards by a NVLAP certified laboratory.





# DLC P LED Center Basket Troffer



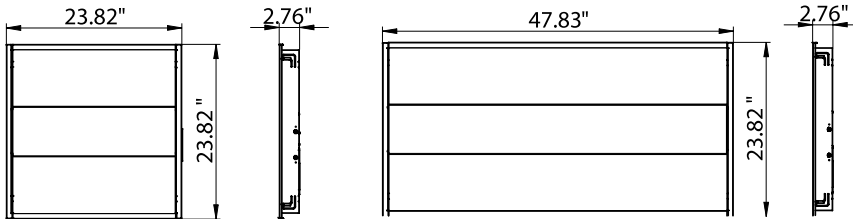
## ■ FEATURES

1. Low voltage occupancy sensor
2. 4-Element digital PIR Sensor
3. 1.5x high with 360° coverage area
4. Compact size fits easily in fixtures
5. 30% preset low level for bi-level control
6. LED indicators of occupancy detection for easy verification of coverage

## ■ Performance

Input Watts	25	34	25	34	43
Size	2x2	2x2	2x4	2x4	2x4
Input Voltage	120-277	120-277	120-277	120-277	120-277
Output Lumens	3225	4250	3225	4250	5418
CCT	5000K	3500K	5000K	3500K	3500K
Replaces (FL)	3 F17T8	4 F17T8	3 F17T8	3 F32T8	4 F32T8
Lumen Per Watt	129	125	129	125	126
Color Accuracy (CRI)	>80	>80	>80	>80	>80
Working Temperature	-4-104°F (-20-40°C)	-4-104°F (-20-40°C)	-4-104°F (-20-40°C)	-4-104°F (-20-40°C)	-4-104°F (-20-40°C)
IP Rating	IP20 Rated	IP20 Rated	IP20 Rated	IP20 Rated	IP20 Rated

## ■ Dimensions



2x2

Max. Weight: 8.66lbs

2x4

Max. Weight: 14.04lbs

## ■ Application



## Ordering Information Example: TR22D25LED30- SP-EBU

Center Basket Troffer	Size	Dimmable	Watts	LED	CCT	Series	Control
TR	22 - 2x2 FT	D - 1-10V	25 - 25 Watts	LED	35 - 3500K	SP – SP series	Blank - None
	24 - 2x4 FT	Dimmable	35 - 35 Watts <sup>1</sup>		40 - 4000K		MSW - Microwave Dimming Sensor <sup>2</sup>
					50 - 5000K		EBU - Emergency Battery Back-up <sup>3</sup>
							MOD-Enlighted 0-10V <sup>4</sup>
							MOD2-Enlighted DALI <sup>4</sup>

Notice:

- 35W is standard. It may need long lead time for 25W. Please contact Customer service in advance if for 25W.
- Microwave dimming sensor, for mounting height 20ft max. Dimming default setting is Bi-Level dim and dimming to 30%. Besides, daylight sensor default setting is disable. If need other dimming levels such as 10% or 50%, ON/OFF function, they can be set by a remote control which need to be bought separately. If the setting need to be set in factory, please consult with customer service in advance.
- Emergency battery back-up is for ambient temperatures of 32°F -95°F (0 °C -35°C ). The emergency test button is pre-installed on fixture if need a remote test switch please contact factory.
- Enlighted control is only for 120-277V and will take long time. Luminaire will be shipped with Sensors installed on the luminaire, allowing for individual luminaire control. Luminaires will be ready to be integrated with designated control systems. "Gateway program" need to be purchased separately- Please Ask Customer Service in advance for Details.

\* White finish is standard. Custom color is available for a premium setup fee. Consult customer service for additional information.

## Accessories Information (Order Separately)



**90140**  
2\*4 Flange Kit  
2\*4 Recessed Mount Kit



**90141**  
2\*2 Flange Kit  
2\*2 Recessed Mount Kit



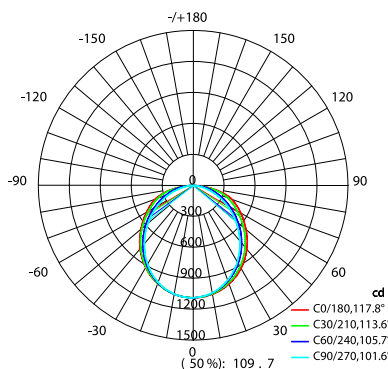
**90535**  
RC-100  
Remote Control for  
Microwave Motion Sensor

Note:

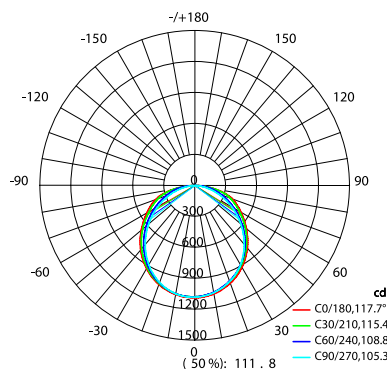
The height of our TR fixture is 2.76". Custom color is available for premium setup fee. Consult customer service for additional information.

## Photometry

All published luminaire photometric testing performed to IESNA LM-79-08 standards by a NVLAP certified laboratory.



2x2



2x4

Note: Please visit our website for more details.



## DLC P Door Frame Retrofit Kit DL Series



### ■ FEATURES

1. Designed to Retrofit Fluorescent Troffer
2. Quick and Easy Installation
3. EBU Backup Available

### ■ Performance 2x2

Input Watts	18	26	32
Input Voltage	120-277	120-277	120-277
Output Lumens (@5000K)	2160	3400	3930
Output Lumens (@4000K)	2160	3350	3840
Output Lumens (@3500K)	2120	3300	3840
Output Lumens (@3000K)	2050	3200	3650
Replaces (FL)	2 F17T8	3 F17T8	4 F17T8
Lumen Per Watt	120	131	123
Color Accuracy (CRI)	>80	>80	>80
Working Temperature	-4-104°F (-20-40°C)	-4-104°F (-20-40°C)	-4-104°F (-20-40°C)
IP Rating	IP20 Rated	IP20 Rated	IP20 Rated

### ■ Performance 2x4

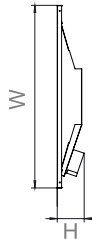
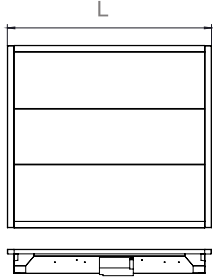
Input Watts	25.5	36	44
Input Voltage	120-277	120-277	120-277
Output Lumens (@5000K)	3400	4680	5400
Output Lumens (@4000K)	3350	4600	5300
Output Lumens (@3500K)	3300	4500	5160
Output Lumens (@3000K)	3120	4400	5160
Replaces (FL)	2 F32T8	3 F32T8	4 F32T8
Lumen Per Watt	133	130	123
Color Accuracy (CRI)	>80	>80	>80
Working Temperature	-4-104°F (-20-40°C)	-4-104°F (-20-40°C)	-4-104°F (-20-40°C)
IP Rating	IP20 Rated	IP20 Rated	IP20 Rated

Note: Please visit our website for more details.

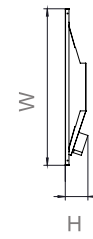
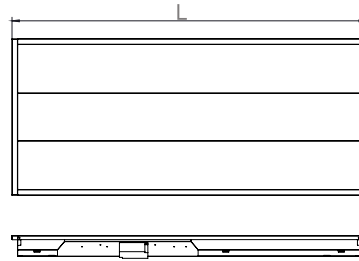


# DLC P Door Frame Retrofit Kit DL Series

## ■ Dimensions & Weight



**2X2**  
 Length: 22.56"  
 Width: 20.59"  
 Height: 2.97"  
 Max. Weight: 12 lbs



**2X4**  
 Length: 46.62"  
 Width: 20.59"  
 Height: 2.97"  
 Max. Weight: 21 lbs

## ■ Ordering Information

Example: TRK22D25LEDXX-DL-EBU

Door Frame Retrofit Kit	Dimension	Dimmable	Watts	Source type	CCT	Series	Control
TRK	22- 2'x2'	D-1-10V	18-18 Watts <sup>1</sup>	LED	30 - 3000K	Series- DL	EBU - Emergency Battery Backup <sup>2</sup>
		Dimmable	25-25 Watts		35 - 3500K <sup>3</sup>		
			32-32 Watts		40 - 4000K <sup>3</sup>		MSO - ON/OFF Sensor
	24- 2'x4'		25-25 Watts		50 - 5000K		
			38-38 Watts				
			45-45 Watts				

Notice:

1. For EBU solution, 18W is excluded.
2. The emergency test button is pre-installed on fixture. If need a remote test switch please contact factory.
3. 3500K and 4000K are standard

\* Standard Finish as White. Special Order as other finish color - Please Ask Customer Service for Details.

## ■ Photometry

All published luminaire photometric testing performed to IESNA LM-79-08 standards by a NVLAP certified laboratory.

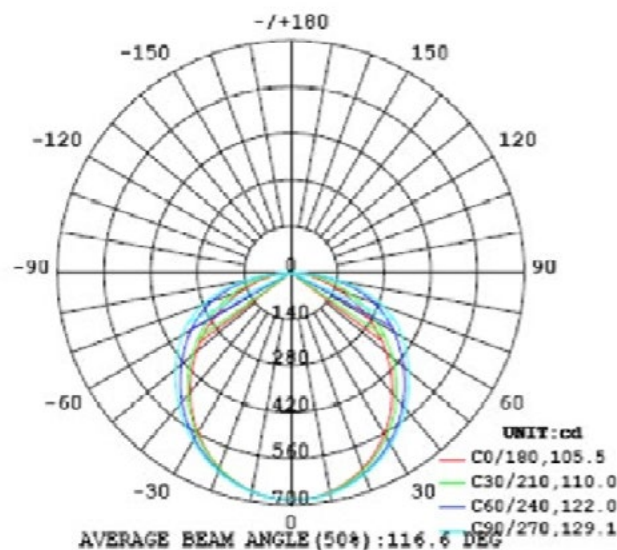


Chart 5: Polar Candela Distribution  
**2X2 18W**

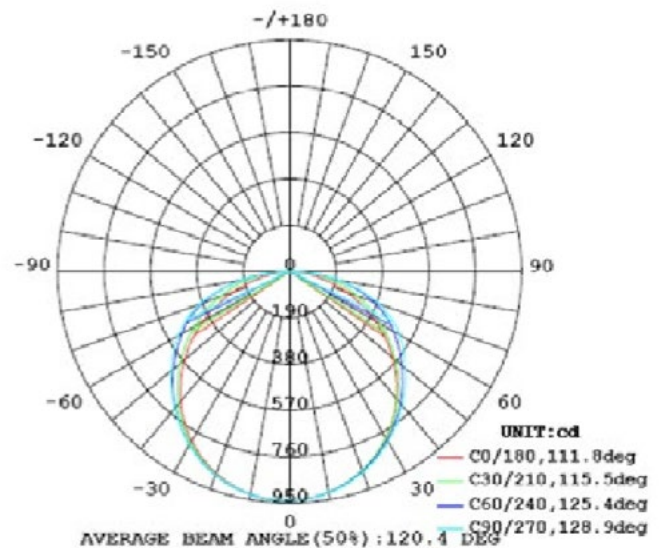


Chart 5: Polar Candela Distribution  
**2X4 25W**

# LED Linear Strip Retrofit Kit



## ■ FEATURES

1. 2ft, 3ft and 4ft available
2. 80 and 90 CRI for option
3. Top 5 LED chip & led driver

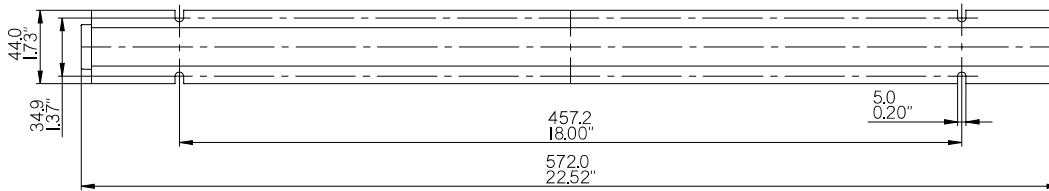
## ■ Performance

Input Watts	12	15	20	25	45
Input Voltage	120-277	120-277	120-277	120-277	120-277
Output Lumens (@5000K)	1500	1890	2850	3700	6320
Replaces (FL)	F17T8 (2ft)	F28T8 (3ft)	F32T8 (4ft)	F32T8 (4ft)	F32T8 (4ft)
Lumen Per Watt	125	126	150	148	147
Color Accuracy (CRI)	>80	>80	>80	>80	>80
Working Temperature	-4-104°F (-20-40°C)	-4-104°F (-20-40°C)	-4-104°F (-20-40°C)	-4-104°F (-20-40°C)	-4-104°F (-20-40°C)
IP Rating	IP20 Rated	IP20 Rated	IP20 Rated	IP20 Rated	IP20 Rated

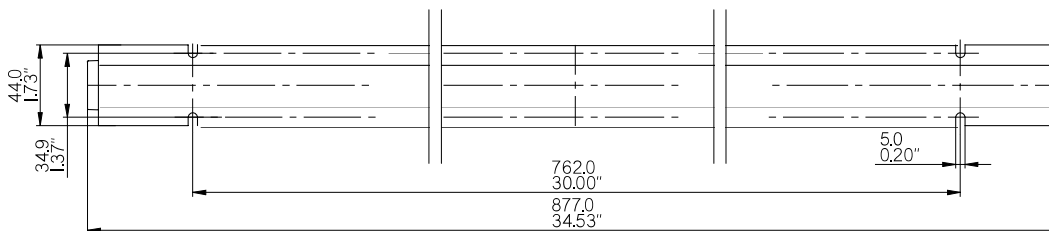
## ■ Dimensions & Weight

Max. Weight: 1.32lbs

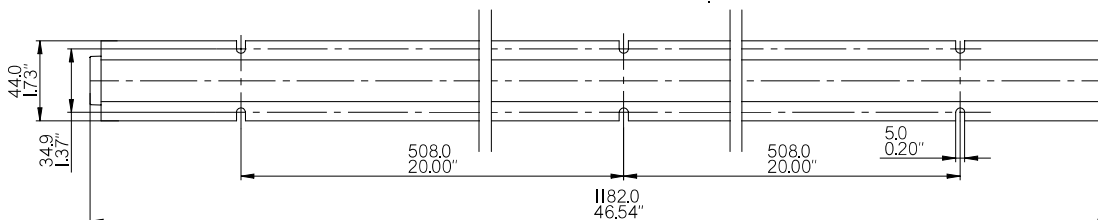
### 2 Feet



### 3 Feet



### 4 Feet





## ■ Ordering Information Example: AB-LSR-4-25-4180

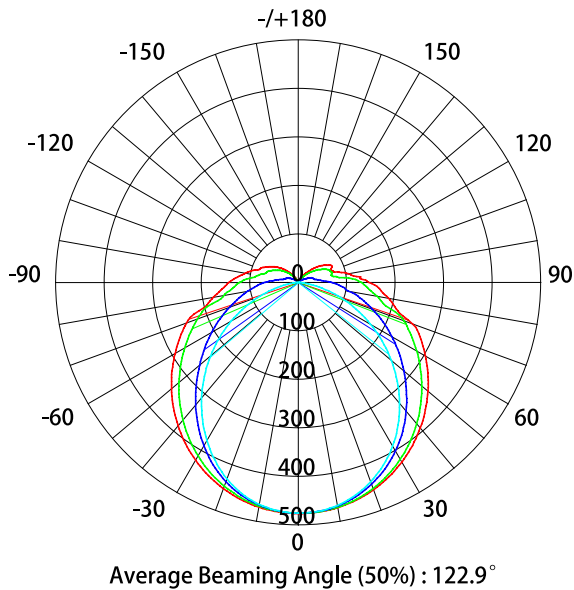
Brand	LED Linear Strip Retrofit KIT	Length	Watts	CCT and CRI <sup>2</sup>
AB	LSR	2 - 2 feet	12 - 12 W	3080 - 3000K 80Ra
		3 - 3 feet <sup>1</sup>	15 - 15 W	3580 - 3500K 80Ra
		4 - 4 feet	20 - 20 W	4180 - 4100K 80Ra
			25 - 25 W	5080 - 5000K 80Ra
			45 - 45 W	

Notice:

- 3 feet is for special order. It will take a long time. Please check with Customer Service for details.
- CRI 90 is available for special order and will take a long time. Please check with Customer Service for details.

## ■ Photometry

All published luminaire photometric testing performed to IESNA LM-79-08 standards by a NVLAP certified laboratory.



# OPAL LED Wraparound Light



## ■ FEATURES

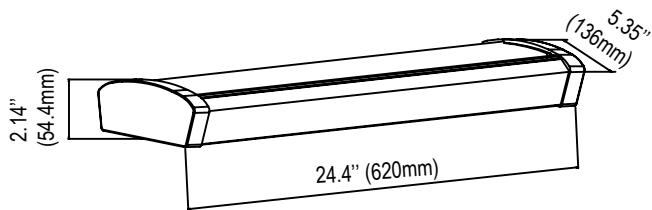
1. Simple and elegant low-profile appearance
2. Optical milky lens delivers unique beam angles and reduces glare
3. 4ft and 2ft are available
4. Wattage selectable is for 4ft
5. CCT selectable is for 4ft

## ■ Performance

Input Watts (LM-79 Reported)	25@2FT	32@4FT	40@4FT	48@4FT
Input Voltage	120-277	120-277	120-277	120-277
Output Lumens (@4000K)	2300	3680	4600	5520
Replaces (FL)	2 Lamp - 17W T8	2 Lamp - 17W T8	2 Lamp - 17W T8	2 Lamp - 32W T8
Lumen Per Watt	115	115	115	115
Color Accuracy (CRI)	>80	>80	>80	>80
Working Temperature	-4-104°F (-20-40°C)	-4-104°F (-20-40°C)	-4-104°F (-20-40°C)	-4-104°F (-20-40°C)
IP Rating	IP20 Rated	IP20 Rated	IP20 Rated	IP20 Rated

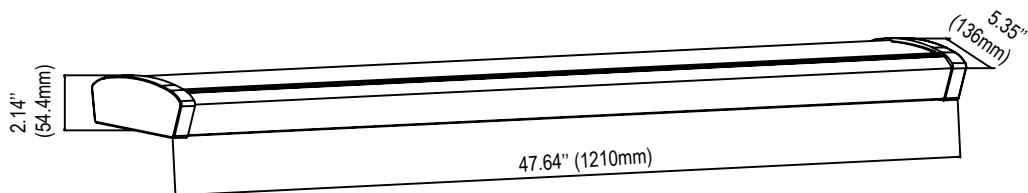
## ■ Dimensions & Weight

Net Weight : 2.65lbs (1.2kg)



2 FT

Net Weight: 3.75lbs (1.7kg)



4 FT

## ■ Ordering Information Example: OWRP12D50LM301

	Dimension	Dimmable	Lumens	CCT	Voltage	Lens	Controls
OWRP	06 - 2FT <sup>1</sup>	D - 0-10V	20 - 20W	35 - 3500K 40 - 4000K 50 - 5000K	1 - 120-	Blank - Milky	Blank - None
	12 - 4FT <sup>1</sup>	dimmable	SP - Selectable Power 32W/40W/48W <sup>2</sup>	SW - Selectable White 3500K/4000K/5000K <sup>3</sup>	277V	Polycarbonate Lens	

Notice:

1. Only 4ft is selectable.
  2. 48W is default setting, If need other wattage, please contact Customer Service in advance to change the setting in factory or change the setting in the field.
  3. 4000K is default setting. If need other CCT please contact Customer Service in advance to change the setting in factory or change the setting in the field.
- \* White finish is standard. Additional charge will apply for optional finish.



# DLC P LED Standard Wrap



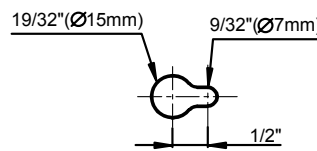
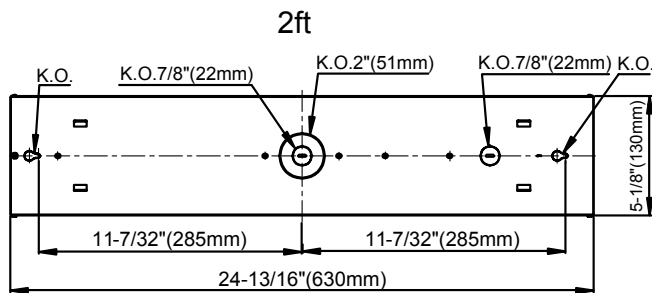
## FEATURES

1. 2ft and 4ft available
2. Top 5 led chip and led driver
3. Clear PMMA diffuser lens
4. Microwave motion sensor and EBU available

## Performance

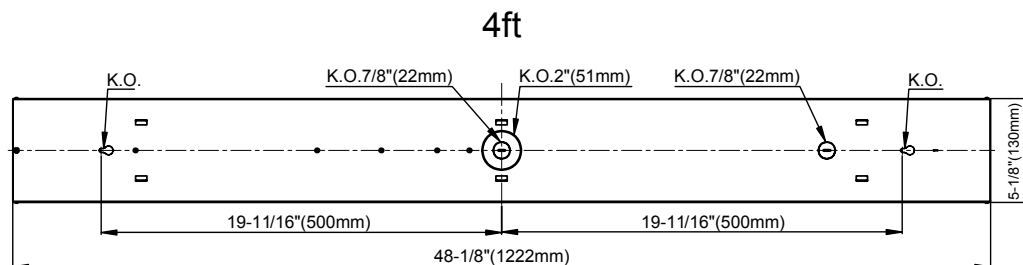
Input Watts (LM-79 Reported)	28 @2FT	38 @4FT
Input Voltage	120-277	120-277
Output Lumens (@5000K)	3640	4940
Replaces (FL)	2 Lamp - 17W T8	2 Lamp - 32W T8
Lumen Per Watt	130	130
Color Accuracy (CRI)	80	80
Working Temperature	-4-104°F (-20-40°C)	-4-104°F (-20-40°C)
IP Rating	IP20 Rated	IP20 Rated

## Dimensions & Weight



### 2FT

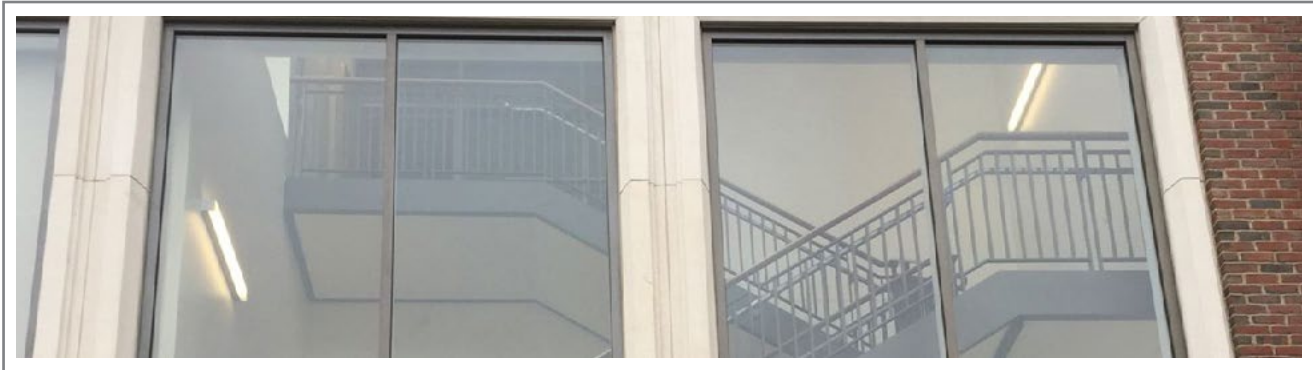
Length: 25.01"  
 Width: 5.12"  
 Height: 3.03"  
 Max. Weight: 3.7lbs



### 4FT

Length: 48.11"  
 Width: 5.12"  
 Height: 3.03"  
 Max. Weight: 6.6 lbs

■ Application



■ Ordering Information Example: WRP06D28LED301S-MSW

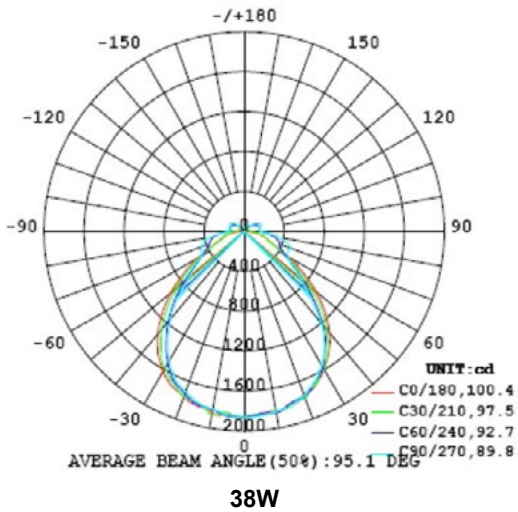
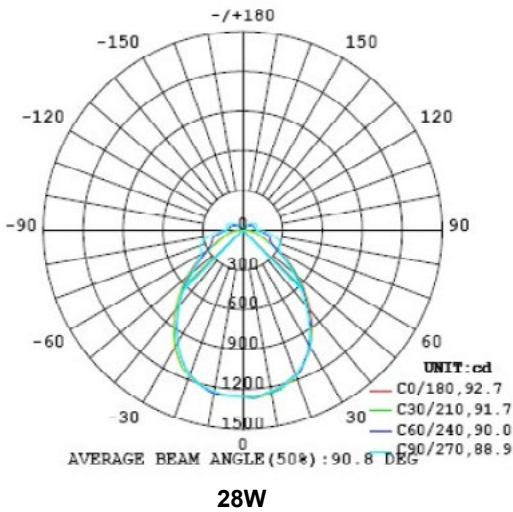
Wrap Fixture	Dimension	Dimmable	Watts	LED	CCT	Voltage	Series	Controls
WRP	06 - 2FT	D - 0-10V dimmable	28 - 28 Watts	LED	30 - 3000K	1 - 120-277V	S - STD series	Blank - None MSW - Microwave Dimming Sensor <sup>1</sup>
	12 - 4FT		38 - 38 Watts		35 - 3500K			

Notice:

- 1. Microwave dimming sensor dims to 10%, for mounting height 49ft (15m) max. It is for option. Please contact customer service in advance.
- \* Special Order- Ask Customer Service for Details

■ Photometry

All published luminaire photometric testing performed to IESNA LM-79-08 standards by a NVLAP certified laboratory.



Note: Please visit our website for more details.





**Wide** size ideal to replace the two-lamp fluorescent strip



**■ FEATURES**

1. 8% up-light and no glare
2. Quick and Easy to wire and install
3. Seamless connection
4. Built-in sensor
5. EBU backup available

**Frosted Lens**

**■ Performance**

Input Watts	20@2FT	30@2FT	45@4FT	60@8FT
Input Voltage	120	120	120	120
Output Lumens (@4000K)	2700	4050	6080	8100
Replaces (FL)	2 Lamp - 17W T8	2 Lamp - 17W T8	2 Lamp - 32W T8	4 Lamp - 17W T8
Lumen Per Watt	135	135	135	135
Color Accuracy (CRI)	80	80	80	80
Working Temperature	-4-104°F (-20-40°C)	-4-104°F (-20-40°C)	-4-104°F (-20-40°C)	-4-104°F (-20-40°C)
IP Rating	IP20 Rated	IP20 Rated	IP20 Rated	IP20 Rated

**■ Performance**

Input Watts	80@8FT
Input Voltage	120
Output Lumens (@4000K)	10800
Replaces (FL)	4 Lamp - 32W T8
Lumen Per Watt	135
Color Accuracy (CRI)	80
Working Temperature	-4-104°F (-20-40°C)
IP Rating	IP20 Rated

**Clear Lens**

**■ Performance**

Input Watts	20@2FT	30@2FT	45@4FT	60@8FT
Input Voltage	120	120	120	120
Output Lumens (@4000K)	2840	4260	6390	8520
Replaces (FL)	2 Lamp - 17W T8	2 Lamp - 17W T8	2 Lamp - 32W T8	4 Lamp - 17W T8
Lumen Per Watt	142	142	142	142
Color Accuracy (CRI)	80	80	80	80
Working Temperature	-4-104°F (-20-40°C)	-4-104°F (-20-40°C)	-4-104°F (-20-40°C)	-4-104°F (-20-40°C)
IP Rating	IP20 Rated	IP20 Rated	IP20 Rated	IP20 Rated

# ECO VISION LED STRIP

Wide size ideal to replace the two-lamp fluorescent strip

## Performance

Input Watts	80@8FT
Input Voltage	120
Output Lumens (@4000K)	11360
Replaces (FL)	4 Lamp - 32W T8
Lumen Per Watt	142
Color Accuracy (CRI)	80
Working Temperature	-4-104°F (-20-40°C)
IP Rating	IP20 Rated

## Dimensions & Weight

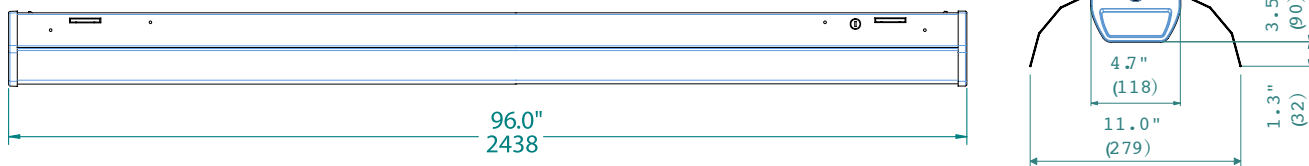
### 4FT

Net. Weight: 7.5 lbs



### 8FT

Net. Weight: 13.5 lbs



## Ordering Information

Example: STR12D30LED408F-SE

Strip Fixture	Dimension	Dimmable	Watts	LED	CCT	Voltage	Series	Controls	Series	
STR	12 - 4FT	D - 0-10V	20 - 20 Watts	LED	35 - 3500K	1 - 120-277V	F-Frosted lens <sup>3</sup>	Blank - None	SE - ECO	
		Dimmable	30 - 30 Watts		40 - 4000K	8 - 120-347V	C-Clear Lens <sup>3</sup>	MSW-Microwave Dimming sensor <sup>1</sup>		
			45 - 45 Watts				EBU - Emergency			
	24 - 8FT		60 - 60 Watts				Battery Back-up <sup>2</sup>			
			85 - 80 Watts					MOD - Enlighted 0-10V <sup>4</sup>		
								MOD 2- Enlighted DALI <sup>4</sup>		

1. Microwave dimming sensor, for mounting height 20ft (6m) max. Dimming default setting is Bi-Level dim and dimming to 50% and none Cut Off. Besides, daylight sensor default setting is disable. Other dimming levels such as 20% or 3 0%, ON/OFF function and daylight sensor can be set by the remote controller MH10.

2. Emergency battery back-up is only available for 4ft. It is for ambient temperatures of 32°F -95°F (0 °C -35°C ). The emergency test button is preinstalled on fixture if need a remote test switch please contact factory. Emergency battery back-up is 120-277V. The EBU is Title 20 compliant.

3. Frosted lens is standard. Please contact Customer Service for the lead time of clear lens.

4. Enlighted control is only for 120-277V and will take long time. Luminaire will be shipped with Sensors installed on the luminaire, allowing for



**Wide size ideal to replace the two-lamp fluorescent strip**

individual luminaire control. Luminaires will be ready to be integrated with designated control systems. "Gateway program" need to be purchased separately- Please Ask Customer Service in advance for Details.

\* Surface mount is standard. If need quick surface mount and V-hook mount please order the mounting brackets separately. Please check the accessory table for details.

\* MSW can not be installed in the room of long-time vibration signal will be regarded as the moving signal to trigger sensor.

\* White finish is standard. Custom color is available for a premium setup fee. Consult customer service for additional information.

**■ Accessories Information (Order Separately)**



**90237**  
STRP06-WG  
Wire guard for 2ft strip



**90238**  
STRP12-WG<sup>1</sup>  
Wire guard for 4ft and 8ft strip



**90243**  
STRP-VH<sup>3</sup>  
V-hooks for strip (a pair)

**90240**  
STRP06-RF  
Reflector 2ft strip

**90242**  
STRP12-RF<sup>2</sup>  
Reflector 4ft and 8ft strip



**90264**  
STRP-QSMK  
Quick surface mount kit for vision strip (a pair)



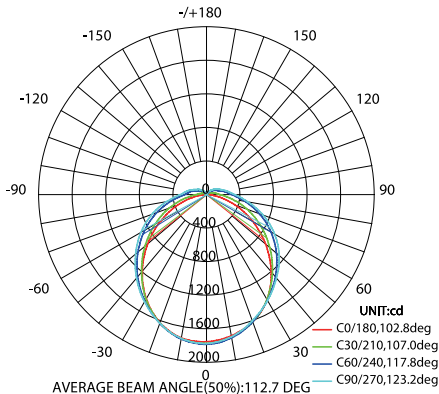
**90576**  
MH10  
Remote control for MSW

**Notes:**

1. If for 8ft please order two pieces.
2. If this reflector will be installed at one side, then one piece for 4ft and two pieces for 8ft. If this reflector will be installed at both two sides, then two pieces for 4ft and four pieces for 8ft.
3. Soft chain mount with V-hooks is the best choice if fixture is with MSW and needed to be installed on a ceiling of long time vibration.

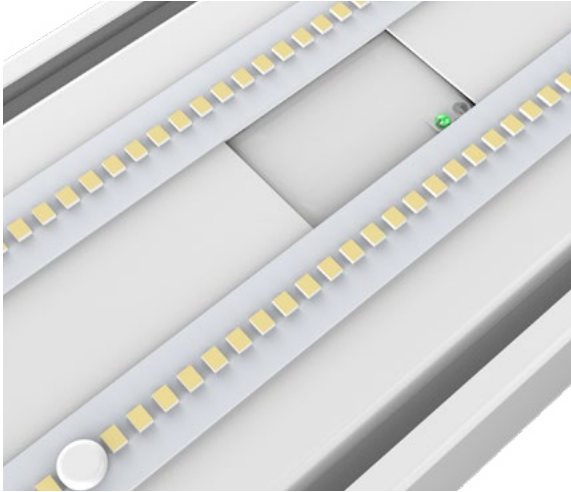
**■ Photometry**

All published luminaire photometric testing performed to IESNA LM-79-08 standards by a NVLAP certified laboratory.



## ECO VISION LED STRIP

Wide size ideal to replace the two-lamp fluorescent strip



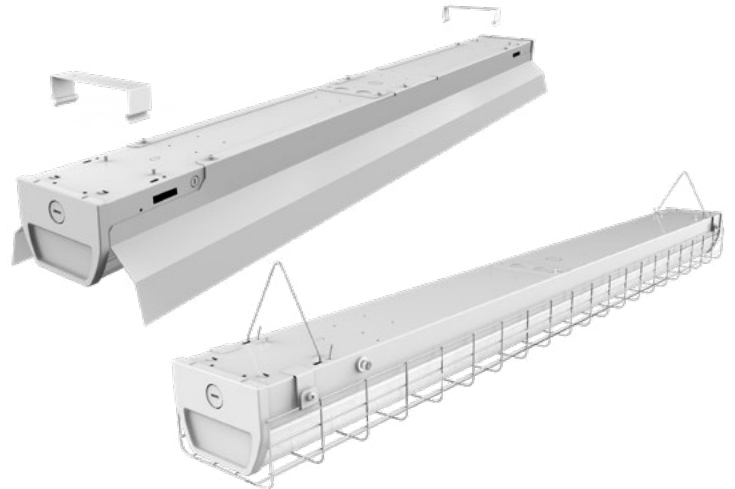
- **Built-in** sensor



- **EBU** backup available



- **Enlighted Sensor**

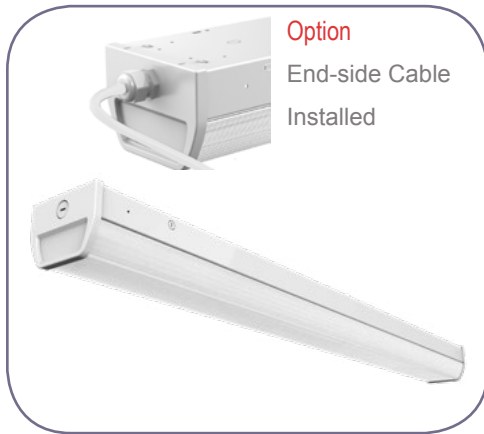


- **Easy to install** quick surface mount and V-hook mount optional, no need to open the housing.



## Vision LED Strip Light

Wide size ideal to replace the two-lamp fluorescent strip



### ■ FEATURES

1. 8% up-light and no glare
2. Quick and Easy to wire and install
3. Seamless connection
4. Built-in sensor
5. EBU backup available

### Frosted Lens

#### ■ Performance

Input Watts	20@2FT	30@3FT	30@4FT	46@4FT
Input Voltage	120	120	120	120
Output Lumens (@5000K)	3000	4500	4500	6900
Replaces (FL)	2 Lamp - 17W T8	2 Lamp - 17W T8	2 Lamp - 32W T8	2 Lamp - 32W T8
Lumen Per Watt	150	150	150	150
Color Accuracy (CRI)	80	80	80	80
Working Temperature	-4-104°F (-20-40°C)	-4-104°F (-20-40°C)	-4-104°F (-20-40°C)	-4-104°F (-20-40°C)
IP Rating	IP20 Rated	IP20 Rated	IP20 Rated	IP20 Rated

#### ■ Performance

Input Watts	60@8FT	85@8FT
Input Voltage	120	120
Output Lumens (@5000K)	9000	11600
Replaces (FL)	4 Lamp - 17W T8	4 Lamp - 32W T8
Lumen Per Watt	150	145
Color Accuracy (CRI)	80	80
Working Temperature	-4-104°F (-20-40°C)	-4-104°F (-20-40°C)
IP Rating	IP20 Rated	IP20 Rated

## Vision LED Strip Light

Wide size ideal to replace the two-lamp fluorescent strip

### Clear Lens

#### ■ Performance

Input Watts	20@2FT	30@3FT	30@4FT	46@4FT
Input Voltage	120	120	120	120
Output Lumens (@5000K)	3160	4740	4740	7268
Replaces (FL)	2 Lamp - 17W T8	2 Lamp - 17W T8	2 Lamp - 32W T8	2 Lamp - 32W T8
Lumen Per Watt	158	158	158	158
Color Accuracy (CRI)	80	80	80	80
Working Temperature	-4-104°F (-20-40°C)	-4-104°F (-20-40°C)	-4-104°F (-20-40°C)	-4-104°F (-20-40°C)
IP Rating	IP20 Rated	IP20 Rated	IP20 Rated	IP20 Rated

#### ■ Performance

Input Watts	60@8FT	85@8FT
Input Voltage	120	120
Output Lumens (@5000K)	9480	12240
Replaces (FL)	4 Lamp - 17W T8	4 Lamp - 32W T8
Lumen Per Watt	158	153
Color Accuracy (CRI)	80	80
Working Temperature	-4-104°F (-20-40°C)	-4-104°F (-20-40°C)
IP Rating	IP20 Rated	IP20 Rated

### 347V Frosted Lens

#### ■ Performance

Input Watts	20@2FT	30@3FT	30@4FT	42@4FT
Input Voltage	347	347	347	347
Output Lumens (@5000K)	3000	4500	4500	6900
Replaces (FL)	2 Lamp - 17W T8	2 Lamp - 17W T8	2 Lamp - 32W T8	2 Lamp - 32W T8
Lumen Per Watt	150	150	150	150
Color Accuracy (CRI)	80	80	80	80
Working Temperature	-4-104°F (-20-40°C)	-4-104°F (-20-40°C)	-4-104°F (-20-40°C)	-4-104°F (-20-40°C)
IP Rating	IP20 Rated	IP20 Rated	IP20 Rated	IP20 Rated

#### ■ Performance

Input Watts	60@8FT	85@8FT
Input Voltage	347	1347
Output Lumens (@5000K)	9000	11600
Replaces (FL)	4 Lamp - 17W T8	4 Lamp - 32W T8
Lumen Per Watt	150	145
Color Accuracy (CRI)	80	80
Working Temperature	-4-104°F (-20-40°C)	-4-104°F (-20-40°C)
IP Rating	IP20 Rated	IP20 Rated

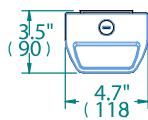
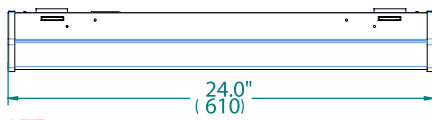
# Vision LED Strip Light

Wide size ideal to replace the two-lamp fluorescent strip

## ■ Dimensions & Weight

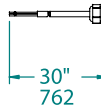
### 2FT

Net. Weight: 4.5 lbs

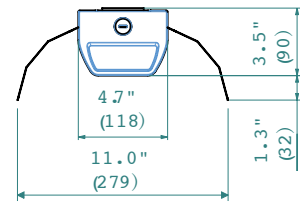


### Option

End-side cable installed

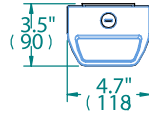
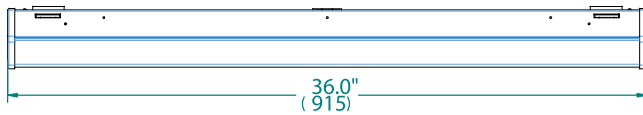


### With Two Reflectors



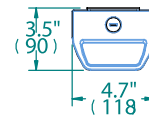
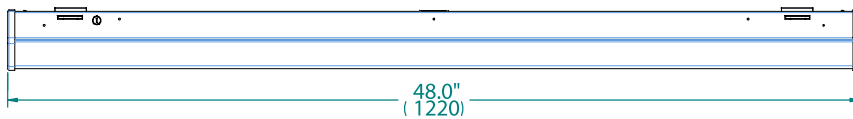
### 3FT

Net. Weight: 5.9 lbs



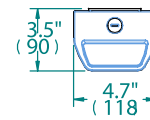
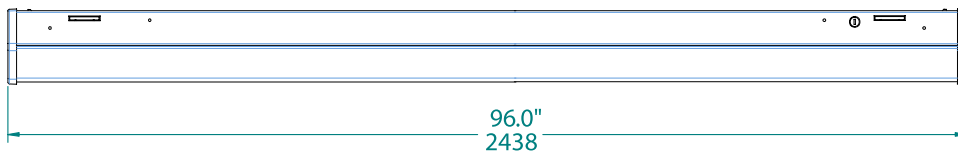
### 4FT

Net. Weight: 7.5 lbs



### 8FT

Net. Weight: 13.5 lbs



## ■ Ordering Information

Example: STR12D30LED401F

Strip Fixture	Dimension	Dimmable	Watts	LED	CCT	Voltage	Series	Controls
STR	06 - 2FT	D - 0-10V	20 - 20 Watts	LED	30 - 3000K	1 - 120-277V	F-Frosted lens <sup>4</sup>	Blank - None
		Dimmable			35 - 3500K	2 - 347V <sup>1,3</sup>	C-Clear Lens <sup>4</sup>	MSWO - Microwave ON/OFF
	09 - 3FT <sup>5</sup>		30 - 30 Watts		40 - 4000K	8 - 120-347V <sup>1,3,6,7</sup>		Sensor <sup>1</sup>
	12 - 4FT		30 - 30 Watts		50 - 5000K			MSW-Microwave Dimming sensor <sup>2</sup>
			45 - 45 Watts				EBU - Emergency Battery Back-up <sup>3</sup>	
	24 - 8FT		60 - 60 Watts <sup>6</sup>					
			85 - 80 Watts <sup>7</sup>					

## Option



### 2ESC1

2ft End-side Cable Installed, white, no plug

Note: Standard product does not include the end-side cable. If need end-side cable installed please ask Customer Service.

# Vision LED Strip Light

## Wide size ideal to replace the two-lamp fluorescent strip

1. Microwave ON/OFF sensor, for mounting height 20ft (6m) max. Microwave ON/OFF sensor is not available for 347V.
  2. Microwave dimming sensor, for mounting height 20ft (6m) max. Dimming default setting is Bi-Level dim and dimming to 50% and none Cut Off. Besides, daylight sensor default setting is disable. If need other dimming levels such as 20% or 30%, ON/OFF function and daylight sensor function, please consult with customer service in advance.
  3. The emergency test button is pre-installed on fixture. If need a remote test switch please contact factory. Emergency battery back-up is not available for 347V.
  4. Frosted lens is standard. Please contact Customer Service for the lead time of clear lens.
  5. 3ft is without DLC. Please contact Customer Service for lead time of 3ft vision strip.
  6. For 60W, only 120-347V is available.
  7. For 80W, only 120-277V and single voltage 347V are available. 120-347V is not available for 80W.
- \* Surface mount is standard. If need quick surface mount and V-hook mount please order the mounting brackets separately. Please check the accessory table for details.
- \* MSW and MSWO can not be installed in the room of long-time vibration because the vibration signal will be regarded as the moving signal to trigger sensor.
- \* White finish is standard. Custom color is available for a premium setup fee. Consult customer service for additional information.

## ■ Accessories Information (Order Separately)



**90237**  
STRP06-WG  
Wire guard for 2ft strip



**90238**  
STRP12-WG<sup>1</sup>  
Wire guard for 4ft and 8ft strip



**90243**  
STRP-VH<sup>4</sup>  
V-hooks for strip



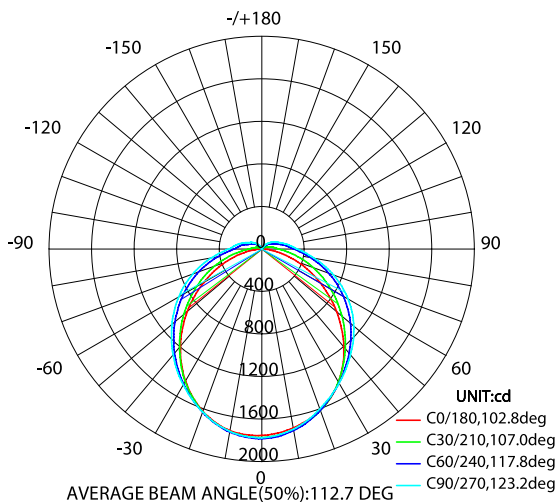
**90264**  
STRP-QSMK<sup>3</sup>  
Quick surface mount kit for vision strip

### Notes:

1. If for 8ft please order two pieces.
2. If this reflector will be installed at one side, then one piece for 4ft and two pieces for 8ft. If this reflector will be installed at both two sides, then two pieces for 4ft and four pieces for 8ft.
3. Two pieces are needed for 2ft, 3ft and 4ft . If for 8ft please order three pieces.
4. Soft chain mount with V-hooks is the best choice if fixture is with MSW or MSWO and needed to be installed on a ceiling of long time vibration.

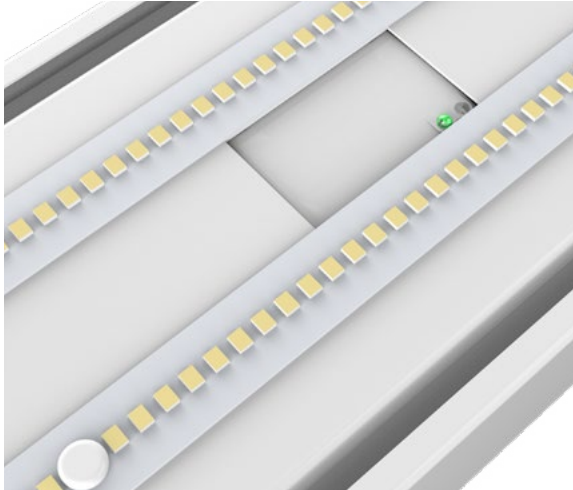
## ■ Photometry

All published luminaire photometric testing performed to IESNA LM-79-08 standards by a NVLAP certified laboratory.



## Vision LED Strip Light

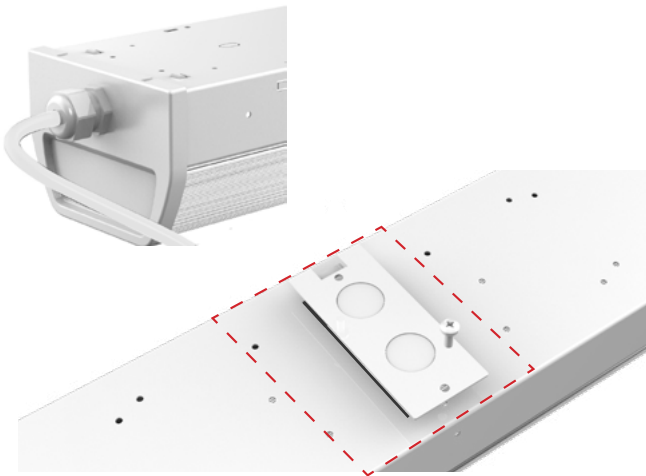
Wide size ideal to replace the two-lamp fluorescent strip



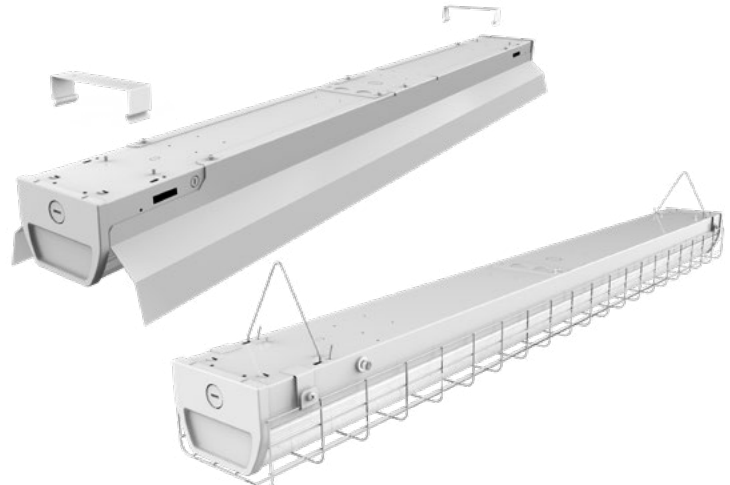
- **Built-in** sensor



- **EBU** backup available



- **Easy to wire** end and back side wire entries available, meet different junction box locations.



- **Easy to install** quick surface mount and V-hook mount optional, no need to open the housing.



**Watch Video**  
**Learn More products**







## FEATURES

1. Wide voltage 120-347V
2. CCT selectable (3000K, 4000K, 5000K in one)
3. 5% up-light reflector available
4. Microwave motion sensor is available

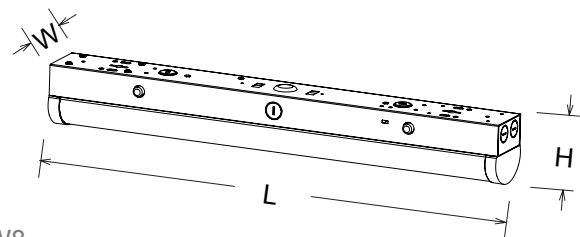


## Performance

Input Watts	20 @2FT	32 @4FT	40 @4FT	65 @8FT
Input Voltage	120-277	120-277	120-277	120-277
Output Lumens (@5000K)	2600	4160	5200	8450
Replaces (FL)	2 Lamp - 17W T8	2 Lamp - 32W T8	2 Lamp - 32W T8	4 Lamp - 17W T8
Lumen Per Watt	130	130	130	130
Color Accuracy (CRI)	80	80	80	>80
Working Temperature	-4-104°F (-20-40°C)	-4-104°F (-20-40°C)	-4-104°F (-20-40°C)	-4-104°F (-20-40°C)
IP Rating	IP20 Rated	IP20 Rated	IP20 Rated	IP20 Rated

## Dimensions & Weight

2FT	4FT	8FT
Length: 23.97"	Length: 48.03"	Length: 95.98"
Width: 2.95"	Width: 2.95"	Width: 2.95"
Height: 3.26"	Height: 3.26"	Height: 3.26"



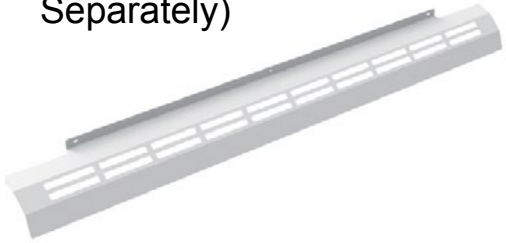
## Ordering Information Example: SSTR12D40SW8

Slim Strip	Dimension	Dimmable	Watts	CCT	Voltage	Lighting Effect	Options
SSTR	06 - 2FT	D - 0-10V	20 - 20 Watts	SW - Selectable White 3000K/4000K/5000K <sup>1</sup>	8 - 120-347V	Blank - 130LPW P - 150LPW <sup>2</sup>	Microwave Motion Sensor <sup>3</sup>
		Dimmable					
	12 - 4FT		24 - 24 Watts				
			32 - 32 Watts				
	24 - 8FT		40 - 40 Watts				
			65 - 65 Watts				

1. 3000K/3500K/4000K selectable is standard. 3500K/4000K/5000K selectable is for option.
2. 130LPW is standard. DLC is not available for the version of 150LPW. It may take long time for the version of 150LPW please contact Customer Service in advance.
3. Microwave dimming sensor, for mounting height 20ft max. Dimming default setting is Bi-Level dim and dimming to 30%. Besides, daylight sensor default setting is disable. If need other dimming levels such as 10% or 50%, ON/OFF function, they can be set by a remote control which need to be bought separately. If the setting need to be set in factory, please consult with customer service in advance.

\* White finish is standard. Custom color is available for a premium setup fee. Consult customer service for additional information.

■ Accessories Information (Order Separately)



- |  |  |  |
|--|--|--|
| <b>90330</b>                                 | <b>90331</b>                                 | <b>90527</b>                                 |
| SSTR06-URF                                   | SSTR12-URF                                   | SSTR24-URF                                   |
| Uplight Reflector<br>for 2ft strip (a piece) | Uplight Reflector<br>for 4ft strip (a piece) | Uplight Reflector<br>for 8ft strip (a piece) |



RC-100  
Remote Control for Microwave  
Motion Sensor

Notes:

If the reflector need to be installed at two sides of the fixture, please order two pieces for each fixture.

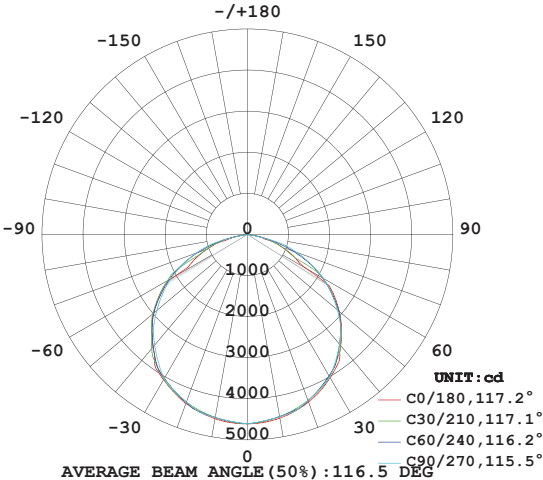


- **5% up-light** reflector available

Note: Please visit our website for more details.

■ Photometry

All published luminaire photometric testing performed to IESNA LM-79-08 standards by a NVLAP certified laboratory.



- **Field selectable (3000K, 4000K, 5000K in one)**
- **Tool-free button, easy to install and service**



## Commercial Downlight Retrofit Kit 6 Inch



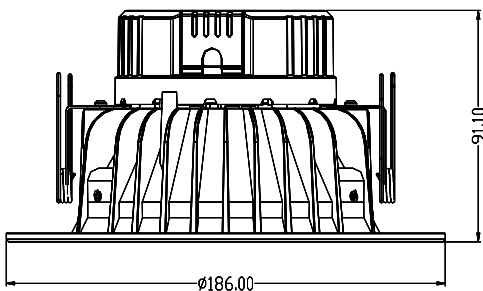
### ■ FEATURES

1. Replacements for incandescent and compact fluorescent (CFL) light sources
2. CREE LED chip is used
3. Die-cast aluminum heat sink for maximum heat dissipation
4. TRIAC dimming (at 120V only)
5. ENERGY STAR® Version 2.0 Certified
6. Retrofit E26 base and connector are available

### ■ Performance

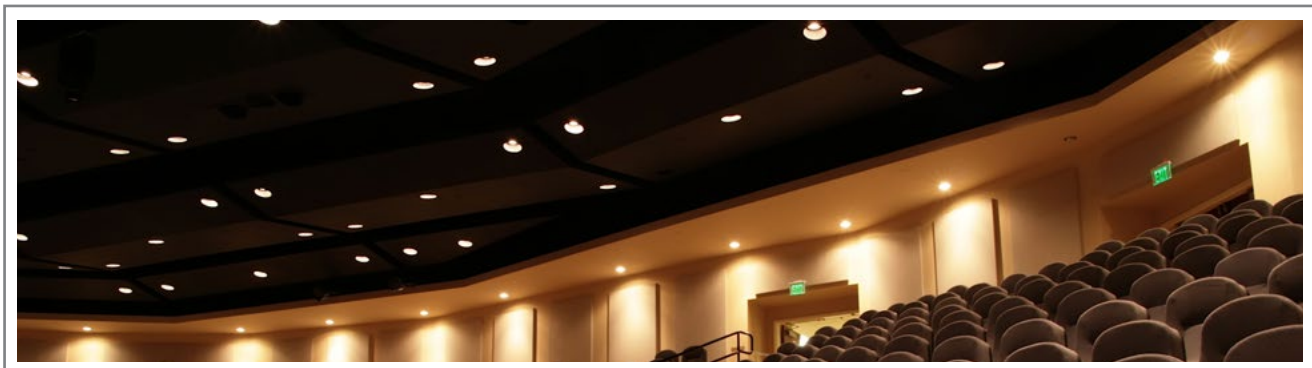
Input Watts (Based on Energy Star)	15
Input Voltage	120V
Output Lumens (@3000K)	1100
Replaces (Inc)	75W incandescent
Lumen Per Watt	75
Color Accuracy (CRI)	>80
Working Temperature	-4-104°F (-20-40°C)
IP Rating	IP20 Rated

### ■ Dimensions & Weight



Depth: 91.1mm / 3.59"  
Diameter: 186mm / 7.30"  
Max. Weight: 1.1 lbs

### ■ Application



## Ordering Information Example: DL1530-6

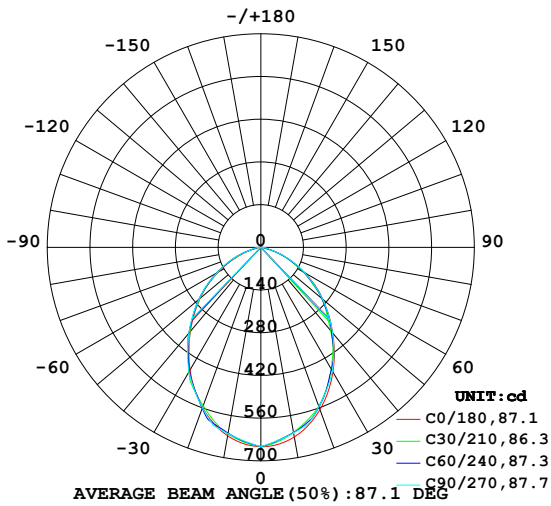
Downlight	Watts	CCT	Dimension
DL	15 - 15 Watts	30 - 3000K	6 - 6"

Notice:

\* Standard Finish as White. Special Order as other finish color -Please Ask Customer Service for Details.

## Photometry

All published luminaire photometric testing performed to IESNA LM-79-08 standards by a NVLAP certified laboratory.



Note: Please visit our website for more details.



## Commercial Downlight Retrofit Kit 6 Inch & 8 Inch



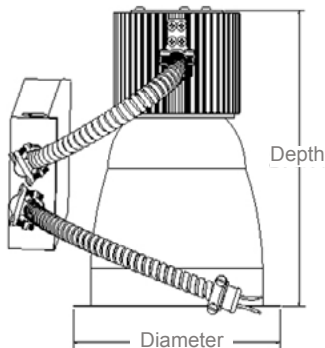
### ■ FEATURES

1. Replacements for incandescent and compact fluorescent (CFL) light sources
2. CREE LED chip and Mean Well LED driver are used
3. Die-cast aluminum heat sink for maximum heat dissipation
4. Universal dimming driver for 1-10V (at 120-277V)
5. ENERGY STAR® Version 2.0 Certified

### ■ Performance

Input Watts (Based on Energy Star)	30 (6 inch)	40 (8 inch)
Input Voltage	120-277V	120-277V
Output Lumens (@3000K)	2200	3300
Replaces (HID)	100W HID	150W HID
Lumen Per Watt	85	85
Color Accuracy (CRI)	>80	>80
Working Temperature	-4-104°F (-20-40°C)	-4-104°F (-20-40°C)
IP Rating	IP20 Rated	IP20 Rated

### ■ Dimensions & Weight



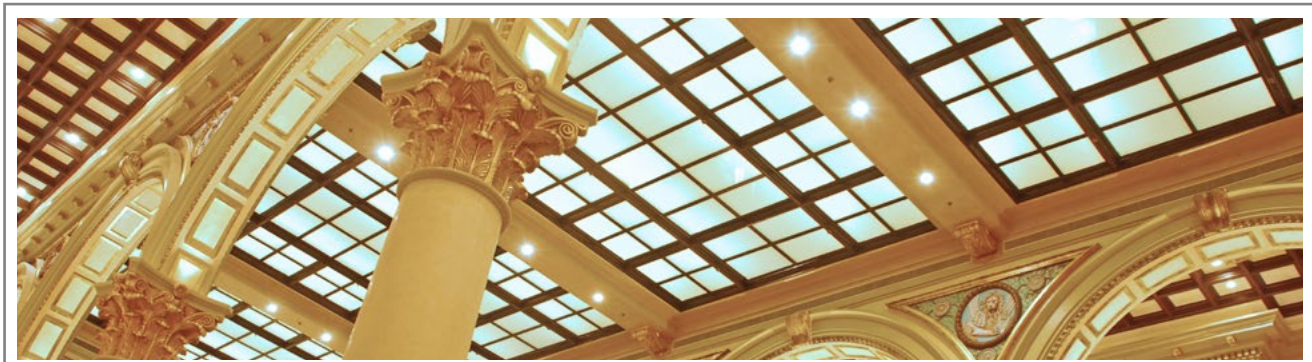
#### 6 Inch (30W)

Depth: 235mm / 9.25"  
 Diameter: 180mm / 7.09"  
 Max. Weight: 4.59 lbs

#### 8 Inch (40W)

Depth: 265mm / 10.43"  
 Diameter: 230mm / 9.06"  
 Max. Weight: 4.92 lbs

### ■ Application



# Commercial Downlight Retrofit Kit 6 Inch & 8 Inch

## Ordering Information Example: DL3030-6

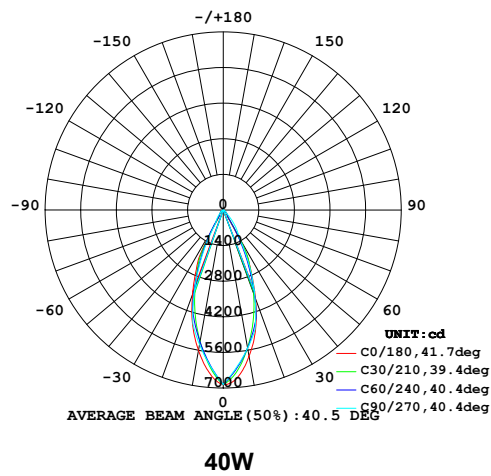
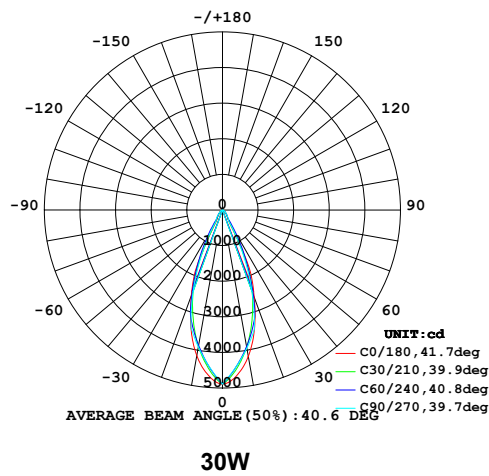
Downlight	Watts	CCT	Dimension
DL	30 - 30 Watts	30 - 3000K	6 - 6" (Only 30W)
	40 - 40 Watts		8 - 8" (Only 40W)

Notice:

\* Standard Finish as Silver. Special Order as other finish color - Please Ask Customer Service for Details.

## Photometry

All published luminaire photometric testing performed to IESNA LM-79-08 standards by a NVLAP certified laboratory.



Note: Please visit our website for more details.





Architecture Design  
Outstanding Performance



## ABOVE ALL Lighting, Inc.

---

 1501 Industrial Way N.  
Toms River, NJ 08755

 866-222-8866

 [info@abovealllighting.com](mailto:info@abovealllighting.com)

 [www.AboveAllLighting.com](http://www.AboveAllLighting.com)