

SUITABLE FOR MODEL



SAFETY INSTRUCTION



READ CAREFULLY BEFORE INSTALLING FIXTURE. PLEASE KEEP THIS MANUAL FOR FUTURE USE.

Fixtures must be wired in accordance with the National Electrical Code and all applicable local codes. Proper grounding is required for safety.

THIS PRODUCT MUST BE INSTALLED IN ACCORDANCE WITH THE APPLICATION CODE BY A PERSON FAMILIAR WITH THE CONSTRUCTION AND OPERATION OF THE PRODUCT AND THE HAZARDS INVOLVED. MAKE CERTAIN POWER IS OFF BEFORE INSTALLING OR MAINTAINING FIXTURE.

CHECK THAT VOLTAGE IS COMPATIBLE WITH FIXTURE DRIVER. USE APPROVED CONNECTORS FOR ALL ELECTRICAL CONNECTIONS.

MAINTENANCE CAUTION



1. Review the wire connection before beginning, and make sure fixture is grounded properly.
2. For lighting controls, follow control instructions carefully.
3. Turn power off and wait for fixture to cool before performing maintenance.
4. Maintenance must be done by professionals.

WIRE CONNECTION

Universal voltage driver permits operation at 120VAC thru 347VAC, 50 or 60 Hz.

1. Connect the black fixture lead to the LINE supply lead.
2. Connect the White fixture lead to the COMMON supply lead.
3. Connect the GROUND wire from fixture to supply ground.

FIXTURE	GREEN	GROUND
	WHITE	ACN
	BLACK	ACL

INSTALLATION

WARNING

Risk of injury or damage. Make certain power is OFF before installing or maintaining fixture.

ACCESSORY PACK



WIRE NUT X 3

WATTAGE AND CCT SETTING

Wattage Default Setting: 60W and 90W.

CCT Default Setting: 4000K

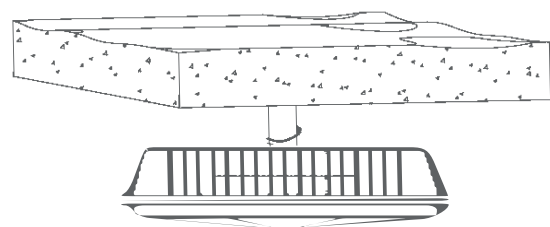
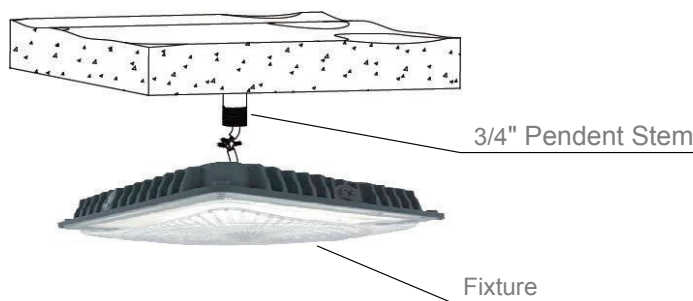
By selecting the combination on the DIP switches, wattages and CCT can be set as required.

1. Remove the waterproof plugs at the sides of Fixture with a cross screwdriver (by others).
2. Select desired wattage or CCT by the DIP switches.
3. Replace the removed waterproof plugs.

Wattage Setting						
	90W	80W	70W	60W	40W	28W
Note: 90W and 60W are default setting. Please do not turn on multiple wattage switches at the same time.						
CCT Setting						
	3000K	4000K	5000K	Note: 4000K is default setting.		

PENDANT MOUNT

1. Pull out the power supply leads through customer supplied Pendant Stem.
2. Make wire connection with supplied wire nuts per "Electrical Connections". Push all wires back into the Pendant Stem.
3. Tighten the threaded Pendant Stem into the 3/4" NPS opening in the middle of top fixture. If need to be waterproof please make waterproof treatment between the Pendant Stem and Junction Box.



SURFACE MOUNT

1. Loosen the screw on the side of the housing and pull out the Mounting Plate. See Figure 1.
2. Drill the mounting holes according to the the Mounting Plate.
3. Fix the Mounting Plate onto the ceiling and put out the power supply wire through the center hole of Mounting Plate. See Figure 2.
4. Buckle the Support Cable to the Mount Plate. Make wire connection with supplied wire nuts per “Electrical Connections”.
5. Push all wires back into the junction box. Lift the Fixture up and slide the Fixture back into the Mounting Plate and fix the screw that is removed in step one. See Figure 4.

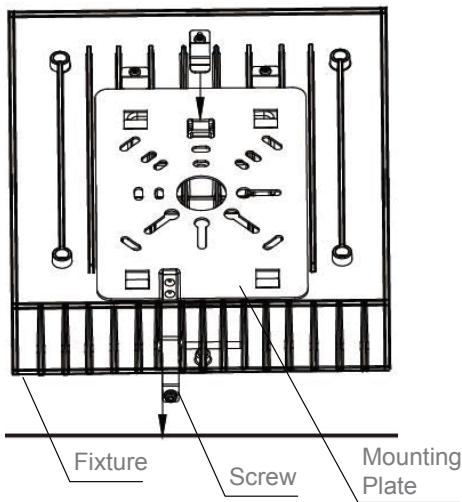


Figure 1

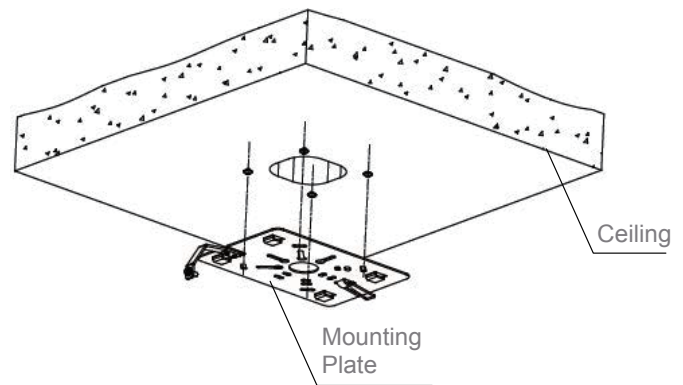


Figure 2

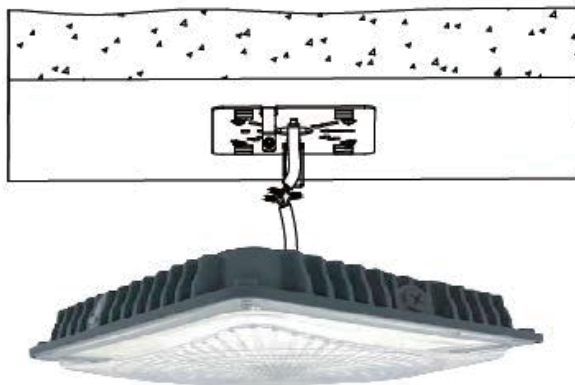


Figure 3

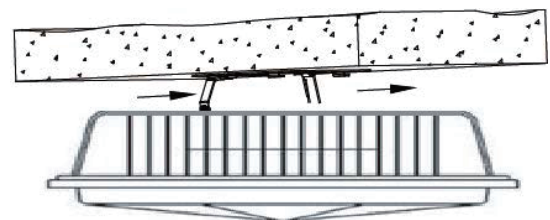


Figure 4

MICROWAVE DIMMING SENSOR SETTING

Sensor data can be precisely set for each specific application by a remote controller which need to be bought separately.

Detection area

Detection area can be reduced by selecting the combination on the remote controller to fit precisely each application.

Optional Setting: 25%/50%/75%/100%

Default Setting: 100%

Hold time

Refers to the time period the lamp remains at 100% illumination after no motion detected.

Optional Setting: 5S/30S/1min/3min/5min/10min/20min/30min

Default Setting: 20min

Stand-by period

Refers to the time period the lamp remains at a low light level before it completely switches off in the long absence of people. When set to “+∞” mode, the low light is maintained until motion is detected.

Optional Setting: 0S/10S/1min/3min/5min/10min/30min/+∞

Default Setting: +∞

Notes: If just need ON/OFF function, please set the stand-by period in “0S” mode by the remote controller.

Daylight sensor

The sensor can be set to only allow the lamp to illuminate below a defined ambient brightness threshold. When set to Disable mode, the daylight sensor will switch on the lamp when motion is detected regardless of ambient light level. Note that daylight sensor is active only when lamp totally switches off.

Optional Setting: 5lux/15lux/30lux/50lux/100lux/150lux/Disable

Default Setting: Disable

Stand-by dimming level

The low light level you would like to have after the hold time in the long absence of people.

Optional Setting: 10%/20%/30%/50%

Default Setting: 50%