



866-222-8866  
info@abovealllighting.com  
www.AboveAllLighting.com  
1501 Industrial Way N,  
Toms River, NJ 08755  
©2020 ABOVE ALL Lighting,  
Inc. All rights reserved

# LED DARK SKY WALL PACK

- DLC Premium listed
- Imported Long-life LG LED and reliable Fulham driver
- Uniform color consistency
- Constructed of tempered glass lens and heavy duty IP65-rated housing
- No heavy metals or harmful gas
- Universal voltage
- Optional photo control, motion sensor and emergency battery backup.



## PRODUCT DESCRIPTION

LED Wall Packs are designed and engineered as maintenance free, energy-efficient alternatives to traditional fluorescent, high & low pressure sodium, metal halide, induction, and other types of light sources.

## PERFORMANCE

Input Watts (Nominal): 19W, 29W, 35W, 48W

Output Lumens (@5000K): 2060lm, 3440lm, 4200lm, 6260lm

Input Voltage: 120-277V, 120V/277V, 50/60Hz

Lumen Per Watt: 114lm/W, 105lm/W, 105lm/W, 99lm/W

Color Rendering Index: >70

Working Temperature: -31-104°F (-35-40°C)

Power Factor: > 0.98 at 120Vac

Total Harmonic Distortion: < 20%

20W, 30W and 38W integral 2KV surge suppression protection standard

52W integral 4KV surge suppression protection standard

## SPECIFICATION

20W, 30W & 38W

Length: 14.4"

Width: 9"

Height: 11.4"

Max. Weight: 9 lbs

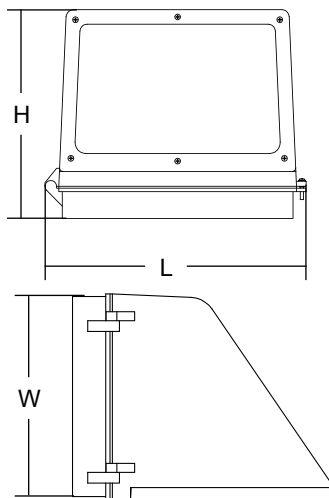
52W

Length: 18"

Width: 9.5"

Height: 13.5"

Max. Weight: 15.4 lbs



- Heavy duty IP65-rated housing





- Constructed of tempered glass lens



## CONTROLS



Photocontrol

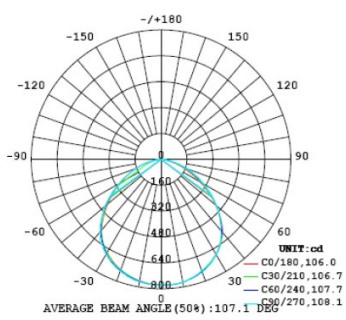


Motion Sensor

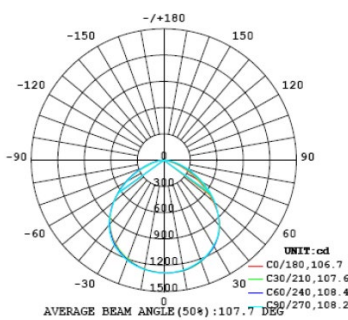


EBU

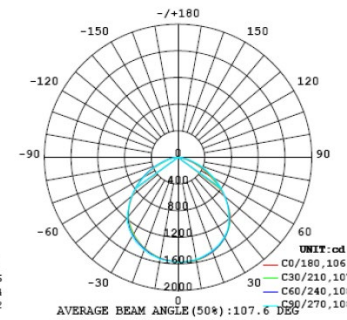
## PHOTOMETRY



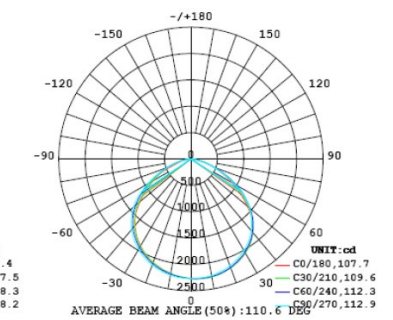
20W



30W



40W



52W