

SUITABLE FOR MODEL



SAFETY INSTRUCTION



READ CAREFULLY BEFORE INSTALLING FIXTURE. PLEASE KEEP THIS MANUAL FOR FUTURE USE.

Fixtures must be wired in accordance with the National Electrical Code and all applicable local codes. Proper grounding is required for safety.

THIS PRODUCT MUST BE INSTALLED IN ACCORDANCE WITH THE APPLICATION CODE BY A PERSON FAMILIAR WITH THE CONSTRUCTION AND OPERATION OF THE PRODUCT AND THE HAZARDS INVOLVED.

MAKE CERTAIN POWER IS OFF BEFORE INSTALLING OR MAINTAINING FIXTURE.

CHECK THAT VOLTAGE IS COMPATIBLE WITH FIXTURE DRIVER. USE APPROVED CONNECTORS FOR ALL ELECTRICAL CONNECTIONS.

MAINTENANCE CAUTION



1. Review the wire connection before beginning, and make sure fixture is grounded properly.
2. For lighting controls, follow control instructions carefully.
3. Turn power off and wait for fixture to cool before performing maintenance.
4. Maintenance must be done by professionals.

WIRE CONNECTION

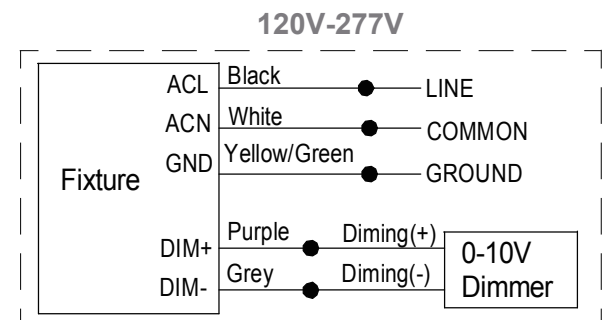
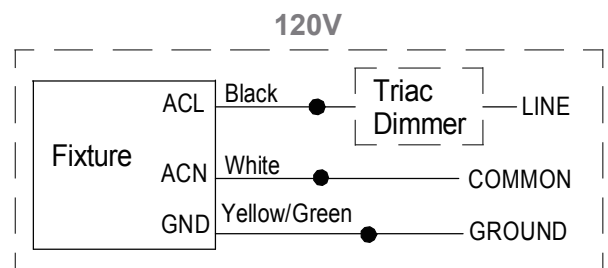
Universal Voltage permits operation at 120VAC or 277VAC thru 277VAC, 50 or 60 Hz.

Electrical Connection for 120V

- a). Connect the voltage supply Line to our ACL in Black.
- b). Connect the voltage supply Common to ACN in White.
- c). Connect Green/Yellow ground lead to the supply ground lead.

Electrical Connection for 120V-277V

- a). Connect the voltage supply Line to our ACL in Black.
- b). Connect the voltage supply Common to ACN in White.
- c). Connect Green/Yellow ground lead to the supply ground lead.
- d). If 0-10V Dimming is used, connect the supply positive dimming lead to our 0-10V(Dim+) terminal.
- e). If 0-10V Dimming is used, connect the supply negative dimming lead to our 0-10V(Dim-) terminal.
- e). If 0-10V Dimming is NOT used, All unused dimming leads must be capped and insulated.



INSTALLATION

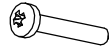
WARNING

Risk of injury or damage. Make certain power is OFF before installing or maintaining fixture.

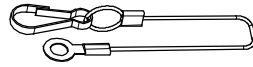
ACCESSORY PACK



WIRE NUT x 3 (120V)
x 5 (120-277V)



SCREW #8 x 2



TETHER CABLE x 1



MOUNTING PLATE x 1

INSTALLATION STEPS

1. Open the carton and get the fixture and accessories. Check that all parts are included.
2. Make sure the supply voltage is compatible with the fixture working voltage marked on the product label.
3. Secure Mounting Plate and Tether Cable to J-BOX (by others) with (2) Screws #8 through the right J-BOX Mounting Holes. Make sure the Tether Cable is between J-BOX and Mounting Plate. The flat surface of Mounting Plate is facing down and the surface with Fins is toward to the J-BOX. See Figure 2 and 3.
4. Attach the Tether Cable to Hook Ring on the back of fixture. See Figure 4.
5. Connect wires as shown in wiring diagram with wire nuts.
6. Carefully push all the wires and Tether Cable back into J-BOX. Make certain that no wires are pinched between Fixture and Mounting Plate.
7. Lift the Fixture Frame up to the ceiling. Align and snap (1) Spring Clip on the Fixture into Fin Snap on the Mounting Plate. Push up the Fixture Frame to make sure the two Spring Clips are firmly buckled with the Fin Snaps. See Figure 5 and 6.

CAUTION: PAY ATTENTION NOT TO PUSH THE DIFFUSER DURING THE INSTALLATION.

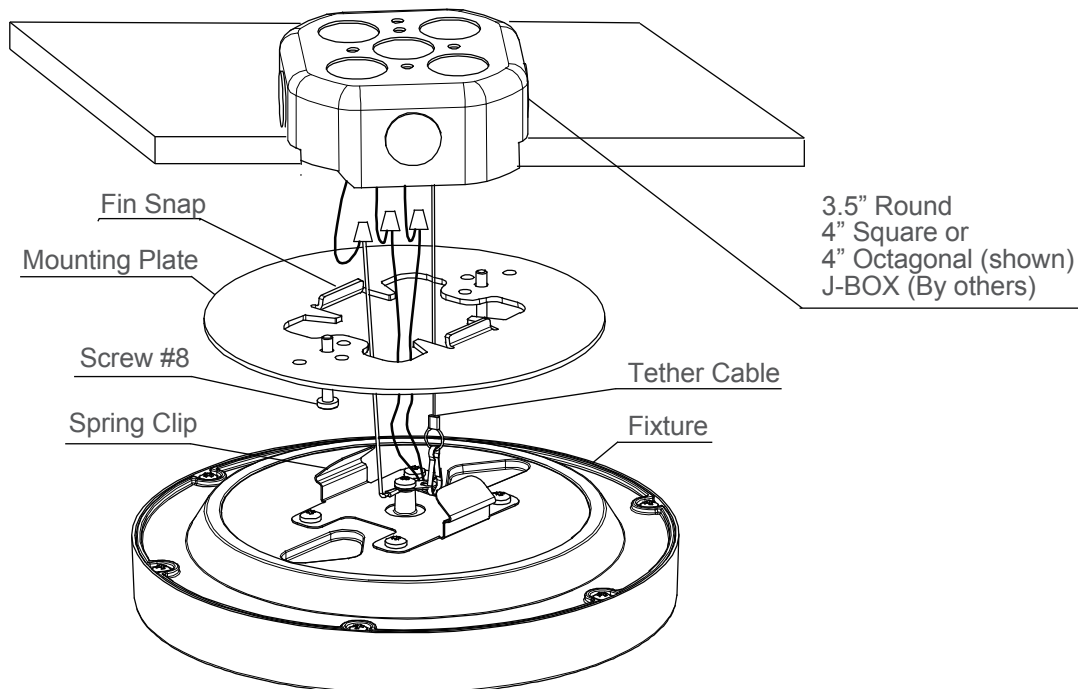


Figure 1

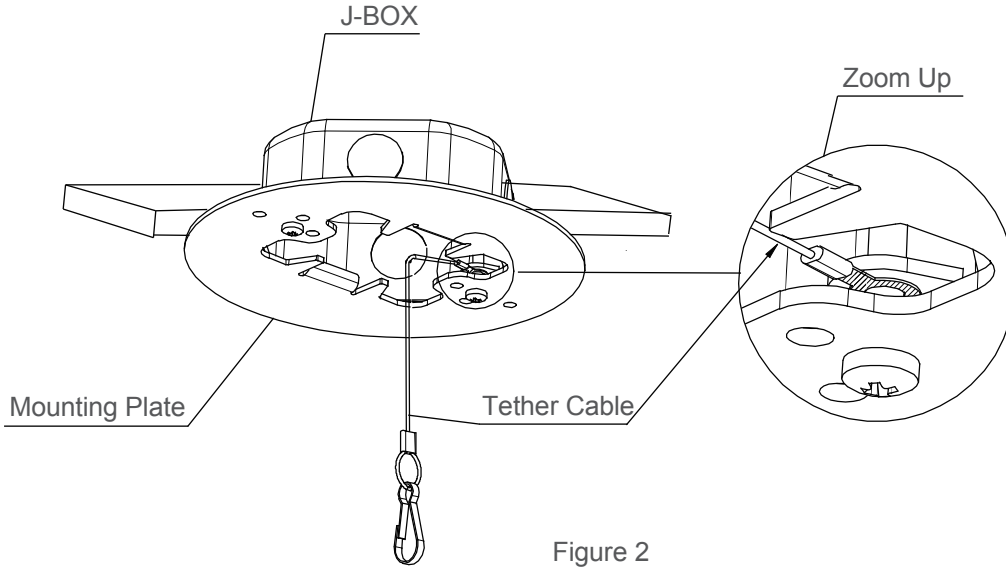


Figure 2

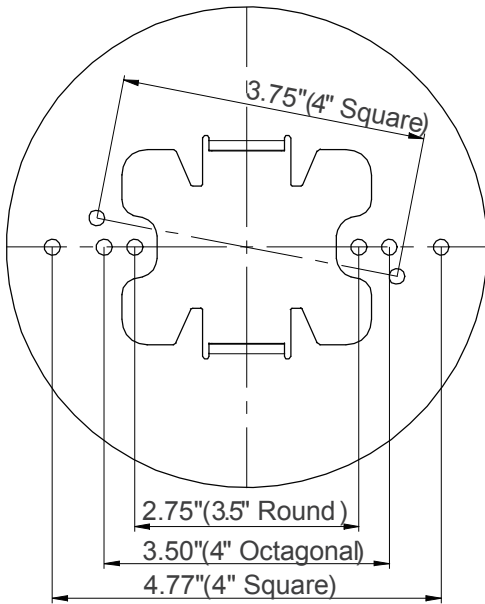


Figure 3

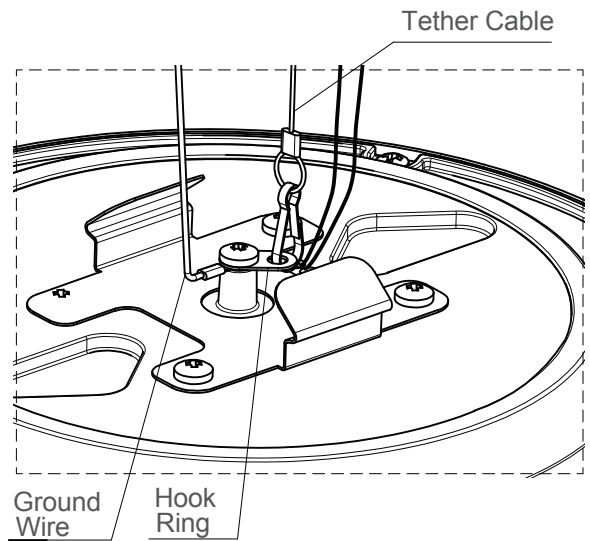


Figure 4

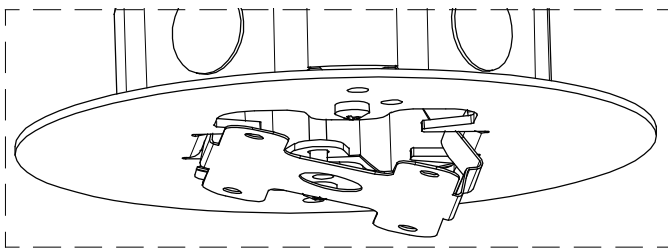


Figure 5

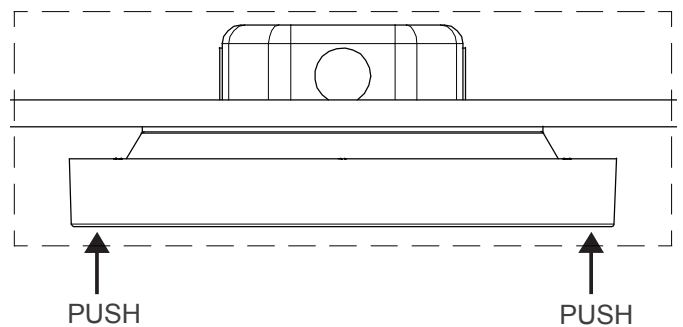


Figure 6