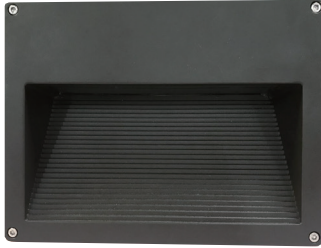


SUITABLE FOR MODEL



SAFETY INSTRUCTION



READ CAREFULLY BEFORE INSTALLING FIXTURE. PLEASE KEEP THIS MANUAL FOR FUTURE USE.

Fixtures must be wired in accordance with the National Electrical Code and all applicable local codes. Proper grounding is required for safety.

THIS PRODUCT MUST BE INSTALLED IN ACCORDANCE WITH THE APPLICATION CODE BY A PERSON FAMILIAR WITH THE CONSTRUCTION AND OPERATION OF THE PRODUCT AND THE HAZARDS INVOLVED.

MAKE CERTAIN POWER IS OFF BEFORE INSTALLING OR MAINTAINING FIXTURE.

CHECK THAT VOLTAGE IS COMPATIBLE WITH FIXTURE DRIVER. USE APPROVED CONNECTORS FOR ALL ELECTRICAL CONNECTIONS.

MAINTENANCE CAUTION



1. Review the wire connection before beginning, and make sure fixture is grounded properly.
2. For lighting controls, follow control instructions carefully.
3. Turn power off and wait for fixture to cool before performing maintenance.
4. Maintenance must be done by professionals.

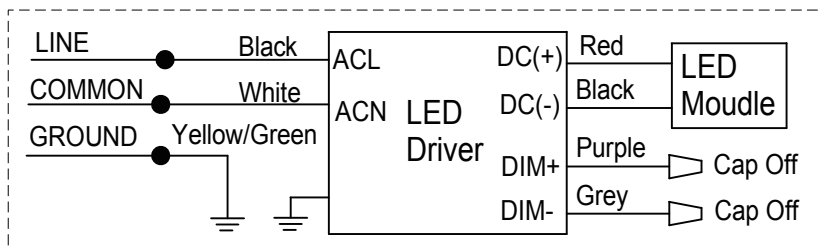
WIRE CONNECTION

Universal Voltage permits operation at 120VAC thru 277VAC or 347VAC, 50 or 60 Hz.

Make the following Electrical Connection:

- a). Connect the voltage supply line to ACL in Black.
- b). Connect the voltage supply Neutral to ACN in White.
- c). Connect Green ground lead to the supply ground lead.

120-277V/347V

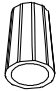
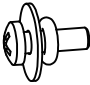
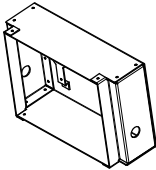


INSTALLATION

WARNING

Risk of injury or damage. Make certain power is OFF before installing or maintaining fixture.

CAST-IN-CONCRETE INSTALLATION

<p>FIXTURE ACCESSORY PACK</p> <div style="display: flex; justify-content: space-around; align-items: center;"> <div style="text-align: center;">  WIRE NUT x 3 </div> <div style="text-align: center;">  SCREW & WASHER & SEAL RING x 2 </div> </div> <p>Notes: These accessories come with fixture package.</p>	<p>CAST-IN-CONCRETE INSTALLATION ACCESSORY PACK</p> <div style="display: flex; align-items: center;">  <div style="margin-left: 20px;"> <p>EMBEDDED MOUNTING BOX KITS x 1</p> </div> </div> <p>Notes: It need to be bought separately and pre-installed.</p>
---	---

TOOL PREPARED

Philips Head Screwdriver, 5/32" Allen Wrench

INSTALLATION STEPS

1. Ensure power is turned off.
2. Before continuing fixture installation, please make sure the Embedded Mounting Boxes were installed in the Concrete. Note: Embedded Mounting Box is provided but need to be bought separately. Please refer to a separate manual for details of Embedded Mounting Box installation.
3. Remove the (4) screws on the Cover with Allen Wrench. Pay attention not to damage the LED chips and keep the Reflector clean. See Figure 1.
4. Feed the AC wires into the Housing through 1/2NPS hole at the side of Housing and secure the wire with waterproof connector (by others). See Figure 1.
5. Fasten Housing into Embedded Mounting Box by (2) Screws & Washers & Seal Ring. The Housing Flange must be flush with the concrete. See Figure 2.
6. Make wire connection with supplied wire nuts per "Electrical Connections".
7. Replace the Cover and tighten it with removed (4) Screws. The Reflector and LED chips has to be kept clean.

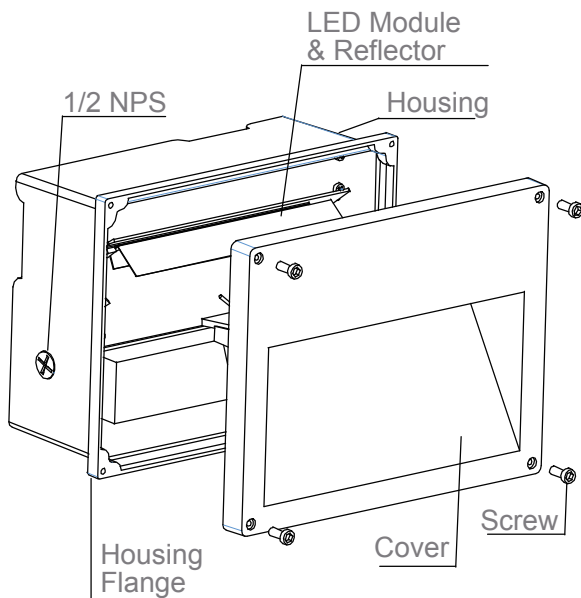


Figure 1

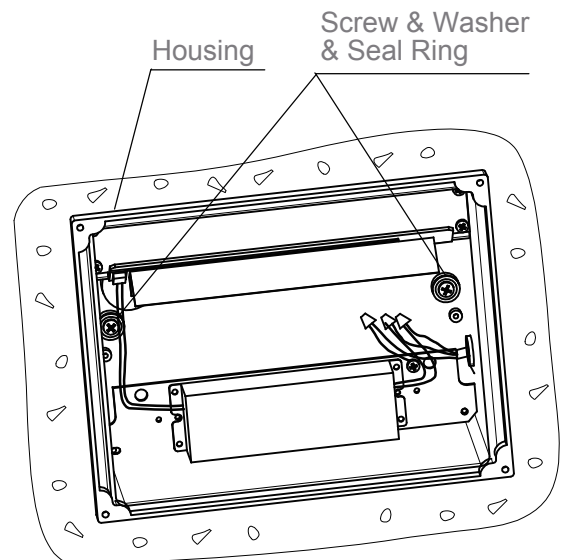

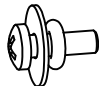





Figure 2

BRICK WALL INSTALLATION

FIXTURE ACCESSORY PACK		BRICK WALL INSTALLATION ACCESSORY PACK		
				
WIRE NUT x 3	SCREW A & WASHER & SEAL RING x 2	BRACKET A x 1	BRACKET B x 2	SCREW B x 4
Notes: These accessories come with fixture package.		Notes: These accessories need to be bought separately.		

TOOL PREPARED

Philips Head Screwdriver, 5/32" Allen Wrench

INSTALLATION STEPS

1. Ensure power is turned off. Ensure that the Wall Mounting Size is compatible with the fixture. See figure 1.
2. Remove the (4) Screws C on the Cover with Allen Wrench. Pay attention not to damage the LED chips and keep the Reflector clean. See Figure 3.
3. Install (1) Bracket A to the back housing with (2) Screw A & Washer & Seal Ring from the inside of housing. Install (2) Bracket B to Bracket A using the (4) Screw B. See Figure 2 and 3.
4. Place the Fixture in the prepared installation place. Feed the AC wires into the Housing through 1/2NPS hole at the side of Housing and secure the wire with waterproof connector (by others). See Figure 3.
5. Make wire connection with supplied wire nuts per "Electrical Connections".
6. Replace the Cover and tighten it with removed (4) Screws C. The Reflector and LED chips has to be kept clean. See Figure 3.
7. Adjust (2) Brackets B vertically for optimal gap spaces between upper and lower brick surfaces and back housing. Secure the (2) Brackets B to the brick through (2) Mounting Holes (hardware by others). See Figure 3.
NOTE: The Flange must be flush with the finished wall surface.
8. Install splatter guard securely and finish wall.
9. Place some silicone between edge of housing and wall. (NOTE: only silicone the top and sides, DO NOT SILICONE BOTTOM)
10. Before using, remove splatter guard and debris from sealing surface.

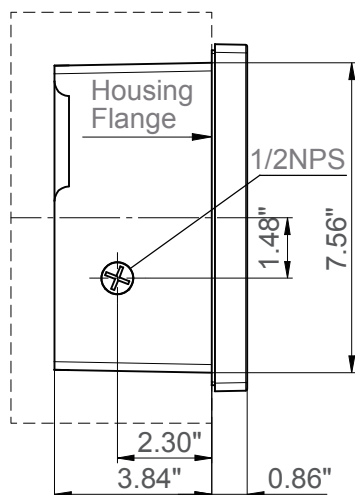


Figure 1

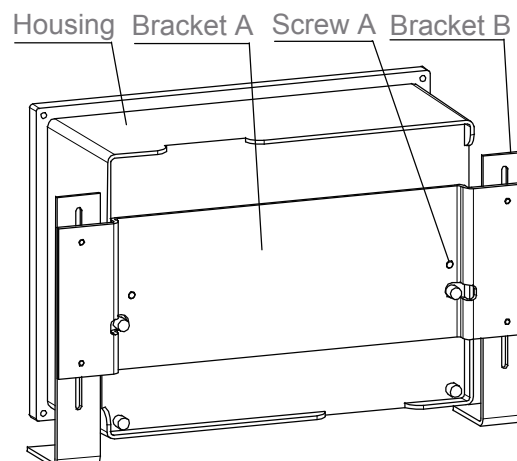


Figure 2

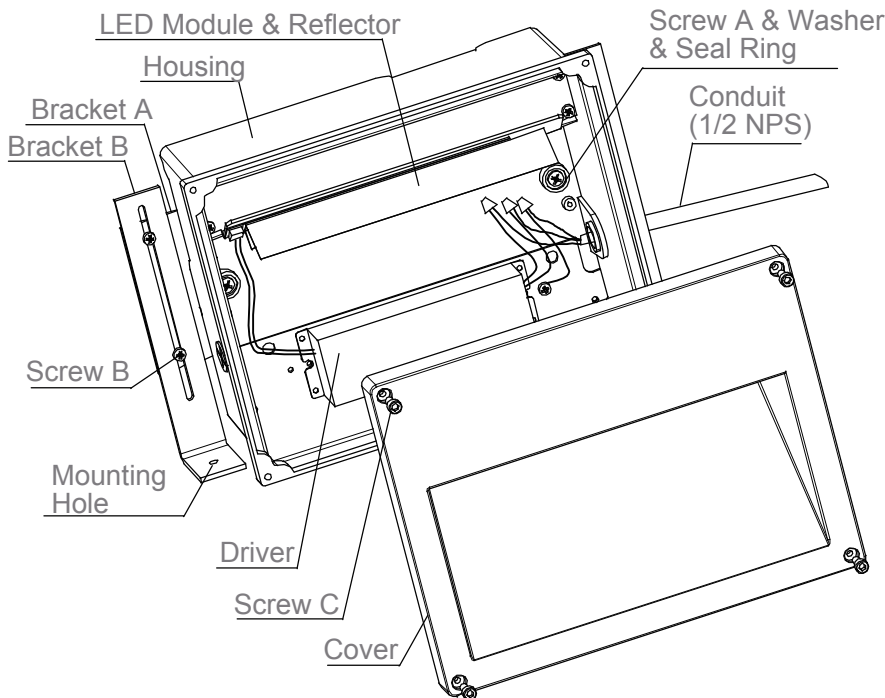

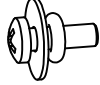

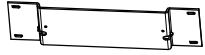



Figure 3

HOLLOW (STUD) WALL INSTALLATION

<p>FIXTURE ACCESSORY PACK</p> <div style="display: flex; justify-content: space-around; align-items: center;">   </div> <p>WIRE NUT x 3 SCREW A & WASHER & SEAL RING x 2</p> <p>Notes: These accessories come with fixture package.</p>	<p>HOLLOW (STUD) WALL INSTALLATION ACCESSORY PACK</p> <div style="display: flex; justify-content: space-around; align-items: center;">    </div> <p>BRACKET A x 2 BRACKET B x 1 SCREW B x 4</p> <p>Notes: These accessories need to be bought separately.</p>
---	--

TOOL PREPARED

Philips Head Screwdriver, 5/32" Allen Wrench

INSTALLATION STEPS

1. Ensure power is turned off. Ensure that the Wall Mounting Size is compatible with the fixture. See figure 1 and 2.
2. Position, level and install the Wall Studs (by others) per figure 1. Be sure the Wall Studs are level front to back as well as side to side.
3. Install (2) Bracket A to Wall Stud with (4) Screw C (by others) in desired fixture mounting height and as per dimension of Figure 1 and 2.
4. Remove the (4) Screws D on the Cover with Allen Wrench. Pay attention not to damage the LED chips and keep the Reflector clean. See Figure 3.
5. Install (1) Bracket B to the back housing with (2) Screw A & Washer & Seal Ring from the inside of housing. See Figure 1.
6. Secure Fixture to (2) Bracket A with (4) Screw B. See Figure 1.
7. Feed the AC wires into the Housing through 1/2NPS hole at the side of Housing and secure the wire with waterproof connector (by others). See Figure 2.

8. Make wire connection with supplied wire nuts per "Electrical Connections".
9. Replace the Cover and tighten it with removed (4) Screws D. The Reflector and LED chips has to be kept clean. See Figure 2.
10. Cut installation hole on Wall Sheathing (by others) per the Cut Pattern. See Figure 4.
11. Install Wall Sheathing. Keep gap between housing edges and sheathing no greater than 1/8". See Figure 3.
12. Place some silicone in the gap of between housing edges and sheathing. Remove debris from sealing surface. See Figure 3.

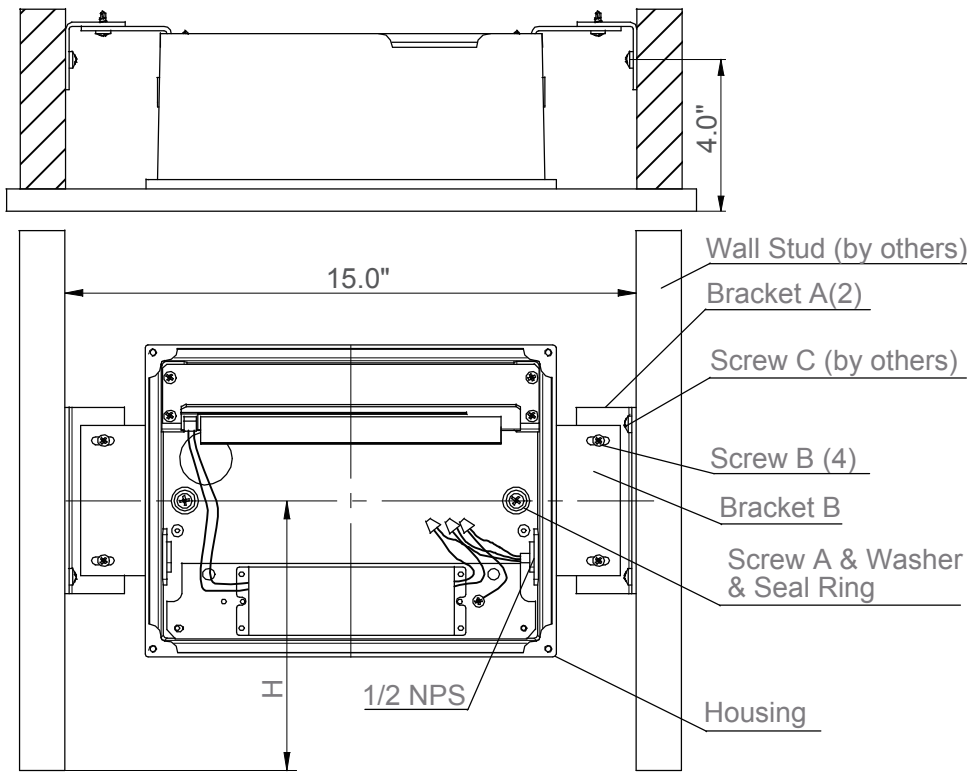


Figure 1

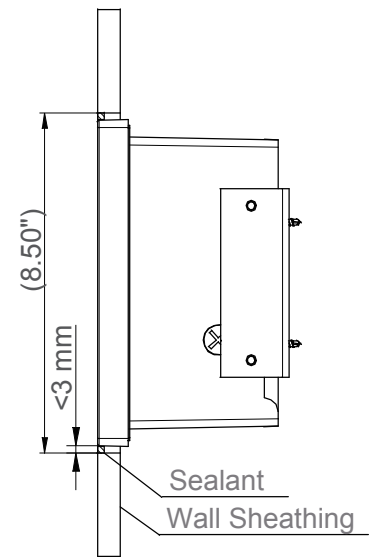


Figure 3

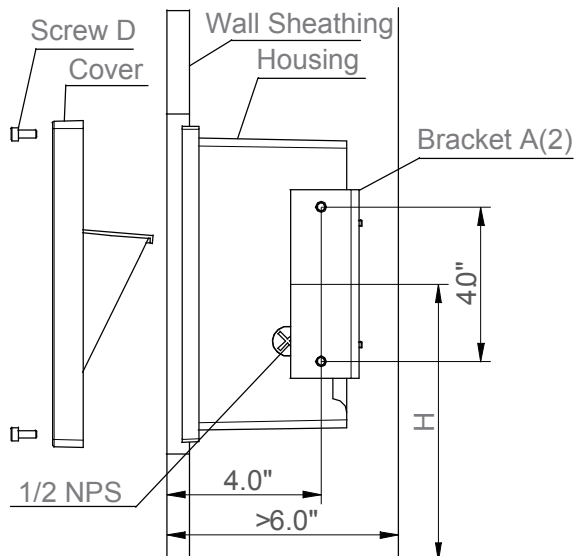


Figure 2

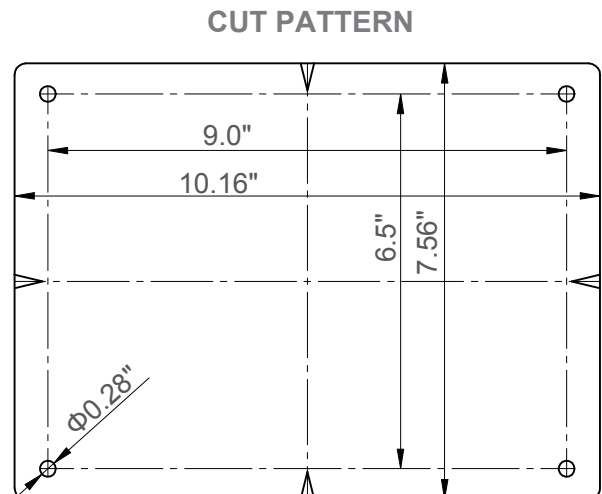


Figure 4