

SUITABLE FOR MODEL



SAFETY INSTRUCTION

READ CAREFULLY BEFORE INSTALLING FIXTURE. PLEASE KEEP THIS MANUAL FOR FUTURE USE.

Fixtures must be wired in accordance with the National Electrical Code and all applicable local codes. Proper grounding is required for safety.

THIS PRODUCT MUST BE INSTALLED IN ACCORDANCE WITH THE APPLICATION CODE BY A PERSON FAMILIAR WITH THE CONSTRUCTION AND OPERATION OF THE PRODUCT AND THE HAZARDS INVOLVED. MAKE CERTAIN POWER IS OFF BEFORE INSTALLING OR MAINTAINING FIXTURE.

CHECK THAT VOLTAGE IS COMPATIBLE WITH FIXTURE DRIVER. USE APPROVED CONNECTORS FOR ALL ELECTRICAL CONNECTIONS.

Maintenance Caution

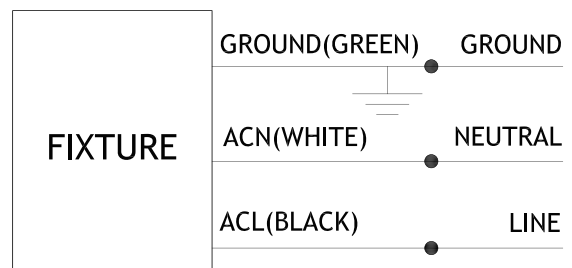
1. Review the wire connection before beginning, and make sure fixture is grounded properly.
2. For lighting controls, follow control instructions carefully.
3. Turn power off and wait for fixture to cool before performing maintenance.
4. Maintenance must be done by professionals.

WIRE CONNECTION

INPUT VOLTAGE: 120-277V, 120V, 277V, NON-DIMMING

Make the following Electrical Connection:

- a) Connect the voltage supply line to ACL in black.
- b) Connect the voltage supply Neutral to ACN in white
- c) Connect green ground lead to the supply ground lead.



INSTALLATION

Accessory Pack Included:



Wire Nut x 3



O-ring x 2

WALL MOUNT

1. Open connection box, mount luminaire to wall by drilling (2) holes on the junction box as Fig.2 shown.
2. Make electrical connections in the connection box as above wiring digram.
3. Screw the cover tightly.
4. Adjust the direction of the body by loosening the pivot screws on holder. Re-tighten the pivot and lock screws to ensure that the fixture has been fastened.

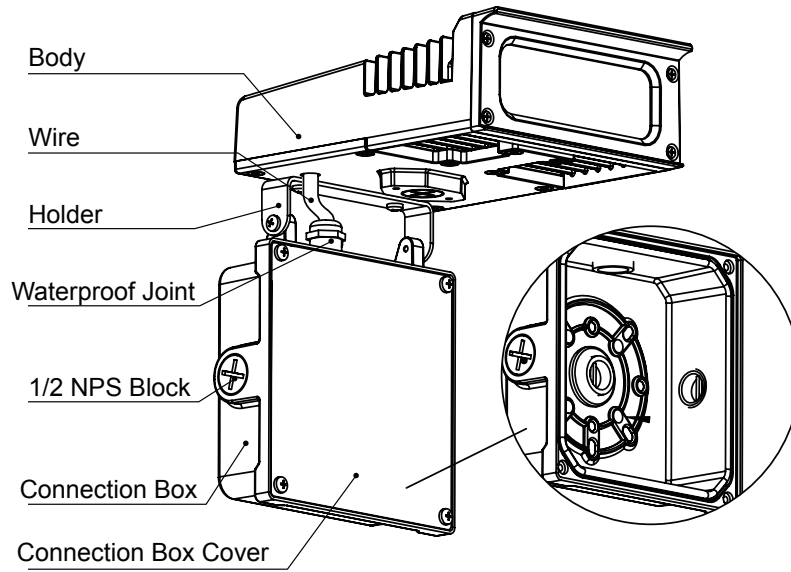


Fig. 1

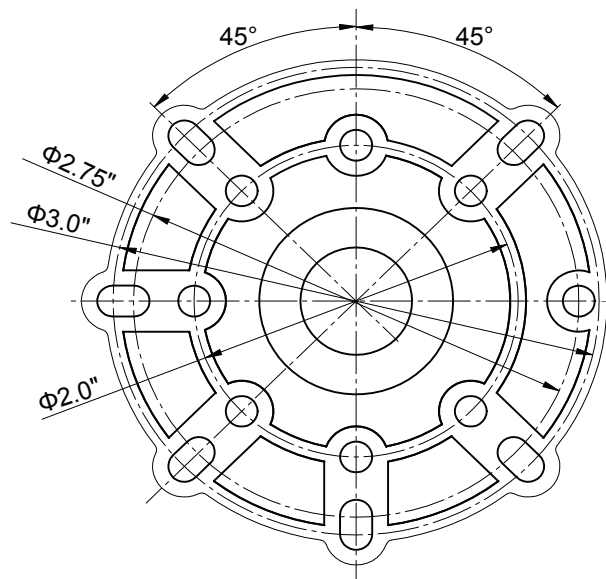


Fig. 2

KNUCKLE MOUNT

1. Loosen the knuckle center screw. Adjust the position of the knuckle stem. Re-tighten.
2. Route electrical leads through the 1/2" NPS access hole in cover plate (supplied by others). Secure cover plate to knuckle with lock nut.
3. Make electrical connections as above wiring diagram.
4. Push wires into junction box and install cover plate (with luminaire attached) to the junction box.

