

SUITABLE FOR MODEL

SAFETY INSTRUCTION


READ CAREFULLY BEFORE INSTALLING FIXTURE. PLEASE KEEP THIS MANUAL FOR FUTURE USING.
Fixtures must be wired in accordance with the National Electrical Code and all applicable local codes. Proper grounding is required for safety.

THIS PRODUCT MUST BE INSTALLED IN ACCORDANCE WITH THE APPLICATION CODE BY A PERSON FAMILIAR WITH THE CONSTRUCTION AND OPERATION OF THE PRODUCT AND THE HAZARDS INVOLVED. MAKE CERTAIN POWER OFF BEFORE INSTALLING OR MAINTAINING FIXTURE. CHECK THAT VOLTAGE IS COMPATIBLE WITH FIXTURE DRIVER, USE APPROVED CONNECTORS FOR ALL ELECTRICAL CONNECTIONS.

MAINTENANCE CAUTION

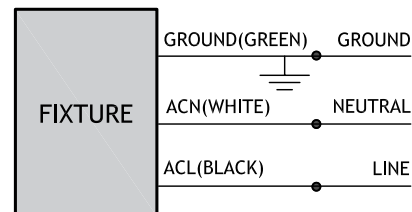

1. Review the diagrams before beginning, and make sure fixture is grounded properly.
2. For lighting controls, using functioning correctly.
3. Turn power off and wait for fixture cooling to operate.
4. Maintenance must be done by professionals.

WIRE CONNECTION

Universal voltage driver permits operation at 120V thru 277V, 50/60Hz

Make the following Electrical Connection:

- a). Connect the voltage supply line to ACL in Black.
- b). Connect the voltage supply Neutral to ACN in White.
- c). Connect Green ground lead to the supply ground lead.


ACCESSORY PACK FOR FIXTURE WITHOUT MSW


WIRE NUT X 5



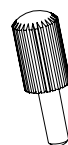
Safety Rope x 1

ACCESSORY PACK FOR FIXTURE WITH MSW


WIRE NUT X 5



Safety Rope x 1

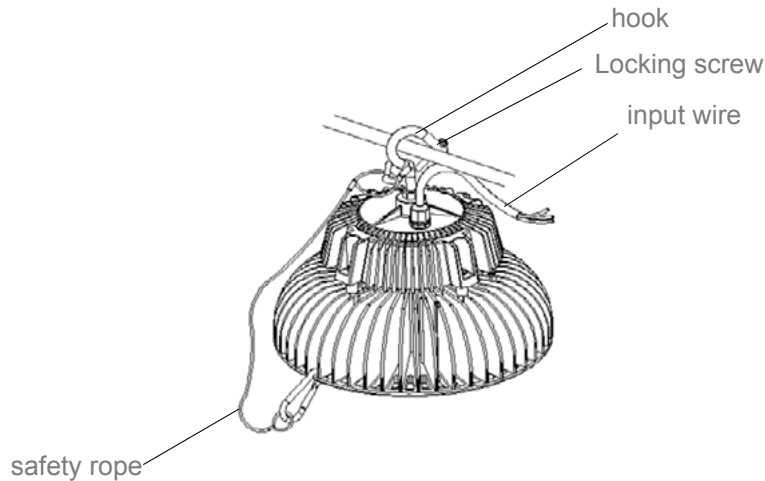


Knurled Screw (M5xL12mm) x 2

INSTALLATION

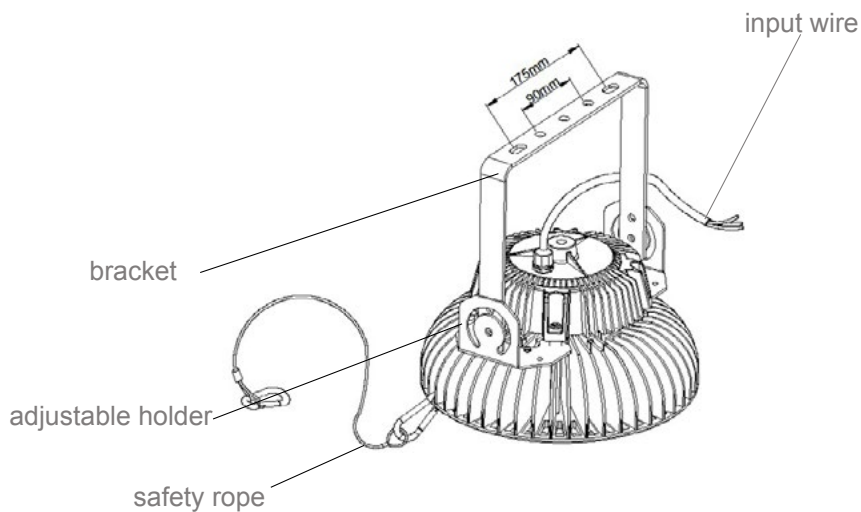
1) CEILING WITH HOOK

1. Attach the hook with customer supplied rope or loop from the place where need to be mounted.
2. Bottom out the locking screw on the hook.
3. Safety rope are required by installation Codes. Attach the supplied support wire.
4. Make wire connection per “Electrical Connections”



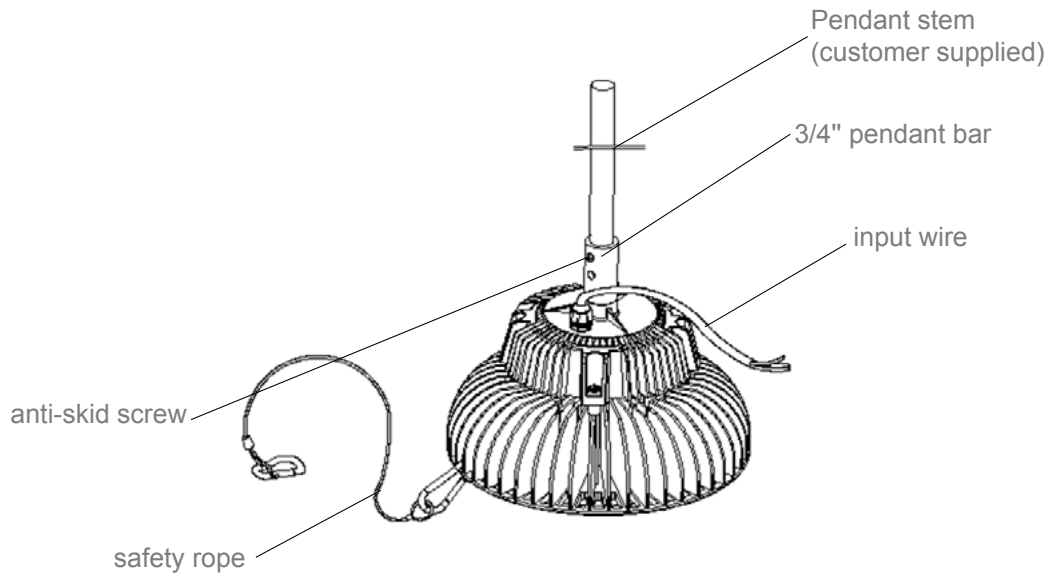
2) TRUNNION MOUNTING

1. Drill installation holes as the size of right figure.
2. Use M10 screws to tighten the luminaire. The holder can be adjusted from 60 degree to 120 degree.
3. Safety rope are required by installation Codes. Attach the supplied support wire.
4. Make wire connection per “Electrical Connections”



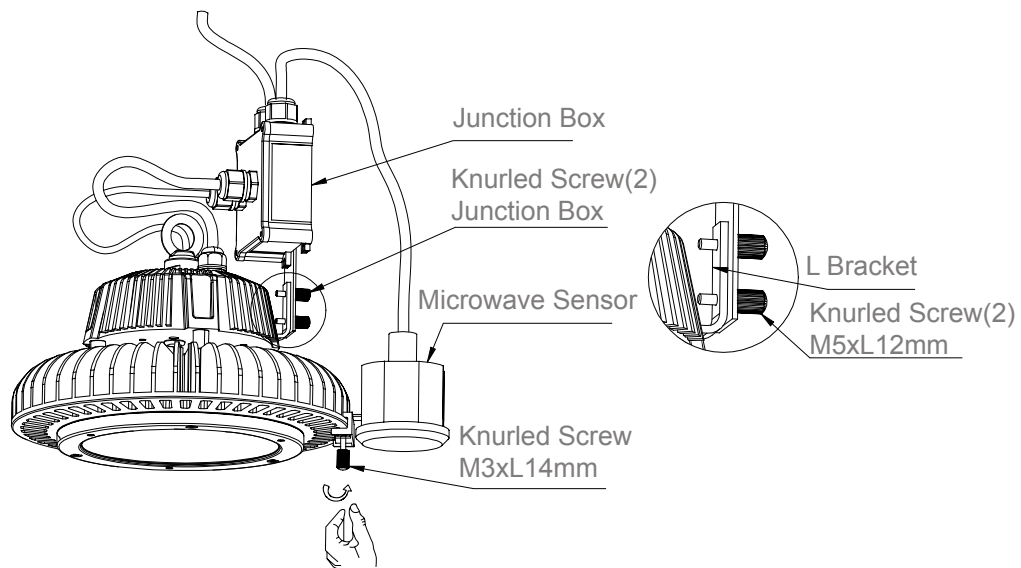
3) PENDANT MOUNTING

1. Feed the customer supplied pendant stem through 3/4" pendant bar.
2. Tighten the pendant stem with anti-skid screw.
3. Safety rope are required by installation Codes. Attach the supplied support wire.
4. Make wire connection per "Electrical Connections"



MICROWAVE DIMMING SENSOR MOUNTING

1. Secure the supplied junction box on the L bracket from the fixture with Knurled Screw (M5xL12mm) (2).
2. Hang the Microwave Dimming Sensor at the edge of the fixture and secure it with the M3xL14mm Screw.
3. Install the fixture according to above different mounting methods.
4. Make wire connection per "Electrical Connections"



MSW DIP SWITCH SETTING

By selecting the combination on the DIP switch, sensor data can be precisely set for each specific application. The sensor can not be installed in the room of long-time vibration because the vibration signal will be regarded as the moving signal to trigger sensor.

ON		1	
I	ON	100%	
II	-	50%	

Detection area

Detection area can be reduced by selecting the combination on the DIP switches to fit precisely each application.

Factory Setting: 100%

		2	3	4	
I	ON	ON	ON	ON	5s
II	-	ON	ON	ON	30s
III	ON	-	ON	ON	90s
IV	-	-	ON	ON	3min
V	ON	ON	-	ON	20min
VI	-	-	-	ON	30min

Hold time

Refers to the time period the lamp remains at 100% illumination after no motion detected.

Factory Setting: 3min

		5	6	7	
I	ON	ON	ON	ON	+∞
II	-	ON	ON	ON	60min
III	ON	-	ON	ON	30min
IV	-	-	ON	ON	10min
V	ON	ON	-	ON	5min
VI	-	-	-	ON	5s

Stand-by period

Refers to the time period the lamp remains at a low light level before it completely switches off in the long absence of people. When set to Disable mode, the low light is maintained until motion is detected.

Factory Setting: 10min

		8	9	
I	ON	ON	ON	50%
II	-	ON	ON	30%
III	ON	-	ON	20%
IV	-	-	ON	10%

Stand-by dimming level

The low light level you would like to have after the hold time in the long absence of people.

Factory Setting: 20%

		10	11	12	
I	ON	ON	ON	ON	Disable
II	-	ON	ON	ON	200lux
III	ON	-	ON	ON	100lux
IV	-	-	ON	ON	50lux

Daylight sensor

The sensor can be set to only allow the lamp to illuminate below a defined ambient brightness threshold.

When set to Disable mode, the daylight sensor will switch on the lamp when motion is detected regardless of ambient light level.

200lux: twilight operation, 50lux, 30lux: darkness operation only.

Note that daylight sensor is active only when lamp totally switches off.

Factory Setting: Disable