

## SUITABLE FOR MODEL



### PLEASE READ CAREFULLY AND FOLLOW ALL INSTRUCTIONS FOR YOUR OWN SAFETY



**-IMPORTANT: DO NOT CONNECT BATTERY UNTIL FIXTURE IS INSTALLED.**

**-IMPORTANT: AN UN-SWITCHED AC POWER SOURCE OF 100VAC TO 277VAC IS REQUIRED.**

**CAUTION:** Make sure all electrical connections conform to the National Electrical Code and all applicable local regulations.

**CAUTION:** Risk of shock - Disconnect power and battery before installation

**CAUTION:** Do not let power supply cords touch hot surfaces.

**CAUTION:** Do not mount near gas or electric heaters.

**CAUTION:** Battery is rechargeable Ni-Cd or LiFePO4 type and must be recycled or disposed of properly.

**CAUTION:** Do not use this emergency driver with accessory equipment other than recommended by manufacturer; failure to follow this may cause an unsafe condition. Servicing should only be performed by qualified service personnel.

**CAUTION:** Do not use this emergency driver for other than intended use.

**CAUTION:** Equipment should be mounted in locations and at heights where it will not readily be subjected to tampering by unauthorized personnel.

**IMPORTANT:** Indicator (LED light) illuminated indicates battery in charge mode when AC power is applied. It is recommended and required by applicable code to test emergency ballast to ensure proper function of the system; push the test switch for thirty (30) seconds every thirty (30) days to ensure the emergency driver is functioning by illuminating the light source. Conduct a ninety (90) minutes discharge test one (1) time per year; LED light source should be illuminated for a minimum of ninety (90) minutes.

**ASSEMBLY AND FIELD INSTALLATION WIRING: WARNING:** AC power must be off before proceeding with assembly or installation of emergency driver.

**TESTING SYSTEM:** The emergency battery requires a charge minimum of one (1) hour before testing the circuit. A full charge requires twenty four (24).

### MAINTENANCE CAUTION

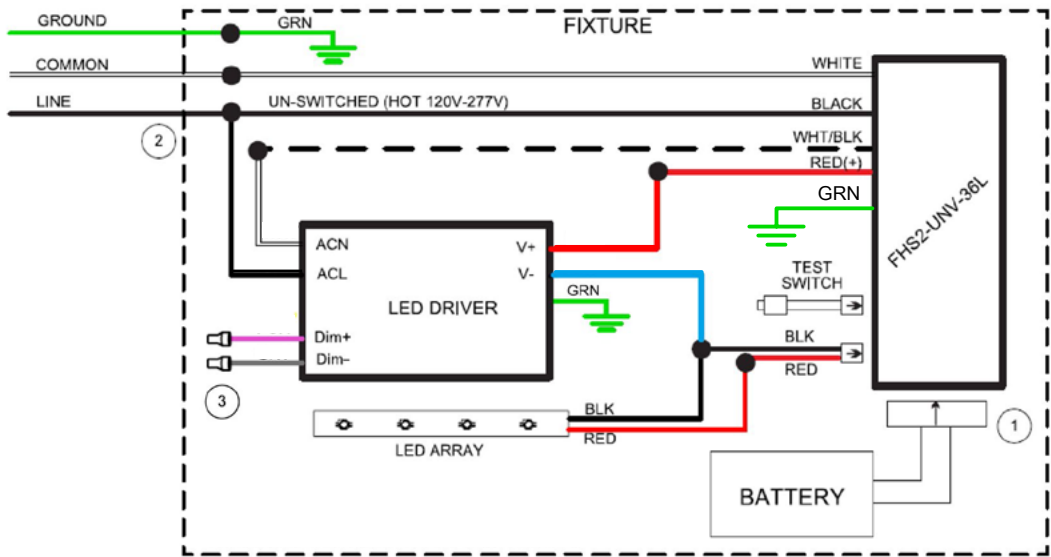


1. Review the wire connection before beginning, and make sure fixture is grounded properly.
2. For lighting controls, using functioning correctly.
3. Turn power off and disconnect battery, wait for fixture cooling to operate.
4. Maintenance must be done by professionals.

**WIRE CONNECTION**

**CASE 1, NOT USING SWITCH (DEFAULT SETTING)**

WIRING DIAGRAM NOT USING SWITCH(DEFAULT)

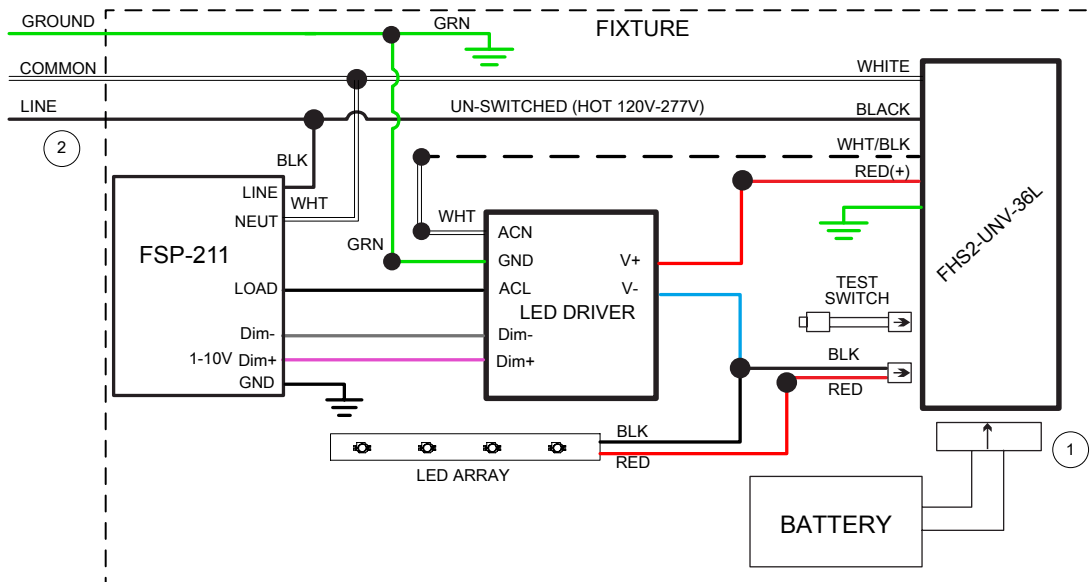


1. Connect the UNSWITCHED black fixture lead to the HOT voltage supply lead.
2. Connect the COMMON white fixture lead to the COMMON supply lead.
3. Connect the GROUND wire from fixture to supply ground.
4. Connect the battery to emergency driver

**Caution:** Do not connect battery until fixture is installed. All unused leads must be capped and insulated.

**CASE 2, USING MOTION SENSOR (FSP-211)**

WIRING DIAGRAM FOR MOTION SENSOR

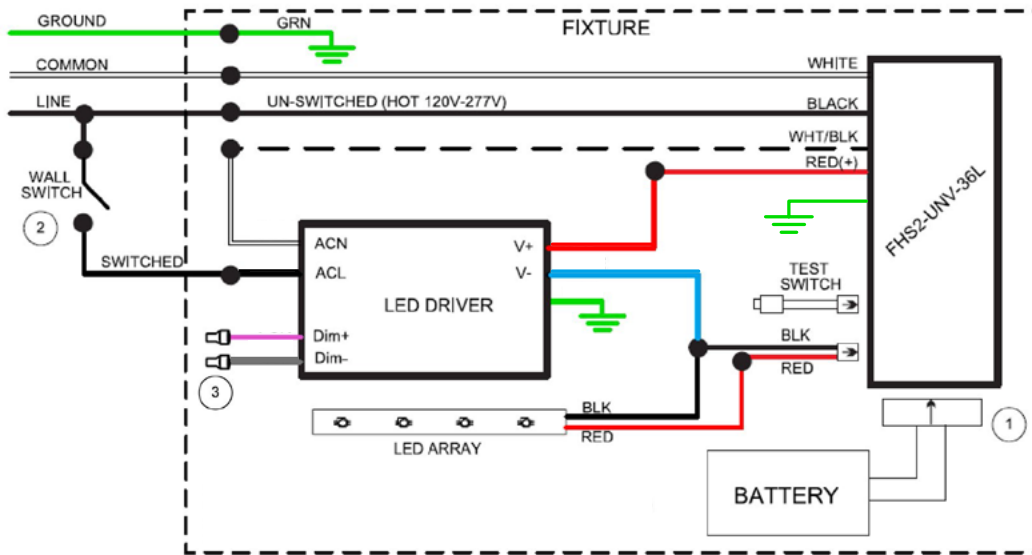


1. Connect the UNSWITCHED black fixture lead to the HOT voltage supply lead.
2. Connect the COMMON white fixture lead to the COMMON supply lead.
3. Connect the GROUND wire from fixture to supply ground.
4. Connect the battery to emergency driver

**Caution:** Do not connect battery until fixture is installed. All unused leads must be capped and insulated.

**CASE 3, USING SWITCH**

**WIRING DIAGRAM USING SWITCH**



1. Disconnect the UN-SWITCHED and SWITCHED wires (they are connected by default).
2. Connect SWITCHED wire to Wall Switch.
3. Connect UN-SWITCHED and Wall Switch to the HOT voltage supply lead.
4. Connect the COMMON white fixture lead to the COMMON supply lead.
5. Connect the GROUND wire from fixture to supply ground.
6. Connect the battery to emergency driver

**Caution:** Do not connect battery until fixture is installed. All unused leads must be capped and insulated.

**INSTALLATION**

**SURFACE MOUNT**

1. Remove Screw (4) from the body and open the connection box.
2. Drill mounting holes on the desired ceiling or wall according to the drill pattern.
3. Fasten the Connection box to the desired ceiling or wall with appropriate fasteners (not supplied).
4. Connect the Male & Female Connectors from EBU box with these from Body\*.
5. Make wire connection with supplied wire nuts per "Electrical Connections".
6. Remove Screw (4) to open the EBU Box Cover and connect the battery to emergency driver.
7. Fasten the Connection Box to the Body with removed Screw (4). Make sure the seal ring is in the right place before tightening the screws.
8. Replace and secure the EBU Box Cover with Screw (4).

Note: This fixture can be pendant mounted by the 1/2 NPS opening in the middle of the Connection Box.

**\* Do not connect the Male & Female Connectors from the same box. It must be from the EBU box and the Body.**

