

SUITABLE FOR MODEL



SAFETY INSTRUCTION



READ CAREFULLY BEFORE INSTALLING FIXTURE. PLEASE KEEP THIS MANUAL FOR FUTURE USE.

Fixtures must be wired in accordance with the National Electrical Code and all applicable local codes. Proper grounding is required for safety.

THIS PRODUCT MUST BE INSTALLED IN ACCORDANCE WITH THE APPLICATION CODE BY A PERSON FAMILIAR WITH THE CONSTRUCTION AND OPERATION OF THE PRODUCT AND THE HAZARDS INVOLVED.

MAKE CERTAIN POWER IS OFF BEFORE INSTALLING OR MAINTAINING FIXTURE. CHECK THAT VOLTAGE IS COMPATIBLE WITH FIXTURE DRIVER. USE APPROVED CONNECTORS FOR ALL ELECTRICAL CONNECTIONS.

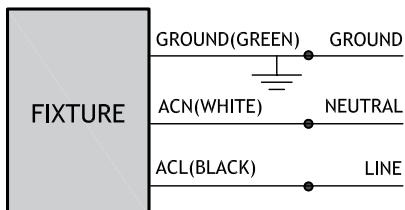
MAINTENANCE CAUTION



1. Review the wire connection before beginning, and make sure fixture is grounded properly.
2. For lighting controls, follow control instructions carefully.
3. Turn power off and wait for fixture to cool before performing maintenance.
4. Maintenance must be done by professionals.

WIRE CONNECTION

Universal Voltage 26W, 38W, 52W permits operation at 120VAC thru 277VAC or 347VAC or 480VAC, 50 or 60 Hz.



Make the following Electrical Connection:

- a). Connect the voltage supply line to ACL in Black.
- b). Connect the voltage supply Neutral to ACN in White.
- c). Connect Green ground lead to the supply ground lead.

INSTALLATION

ACCESSORY PACK

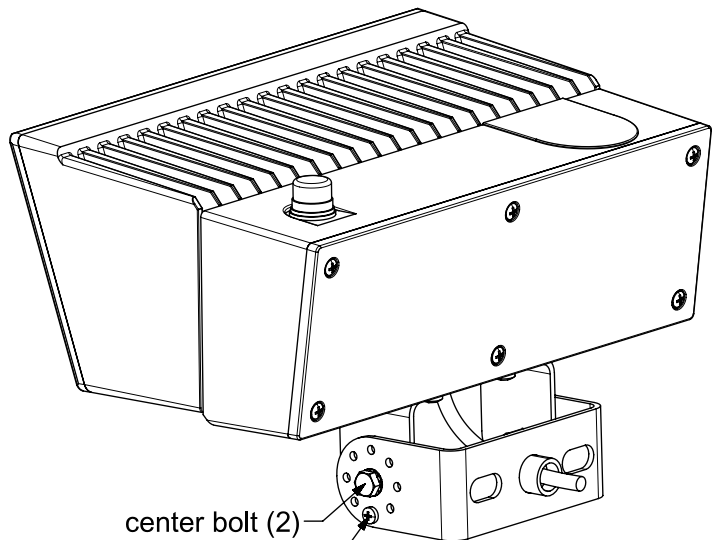


WIRE NUT X 5

Note: If fixture is furnished with photocell receptacle, please make sure install the photocell or shorting cap

TRUNNION MOUNT (TR)

1. Turn off the power.
2. Locate the mounting points based on the Dimension Drawing. See Figure 1.
3. Install the trunnion to a desired bracket try by (2) Bolts, (2) Locking Washers and (2) Nuts (all not supplied) .
4. Adjust the angle of the fixture by trunnion.
 - a. Loosen the (2) center bolts and (2) angle locking screws on the trunnion.
 - b. Swivel fixture to a desired angle.
 - c. Tighten (2) center bolts and (2) angle Locking Screws.
5. Make the necessary wire connections and waterproof. Connect wires as above wiring diagram.



TRUNNION MOUNT DRILL PATTERN

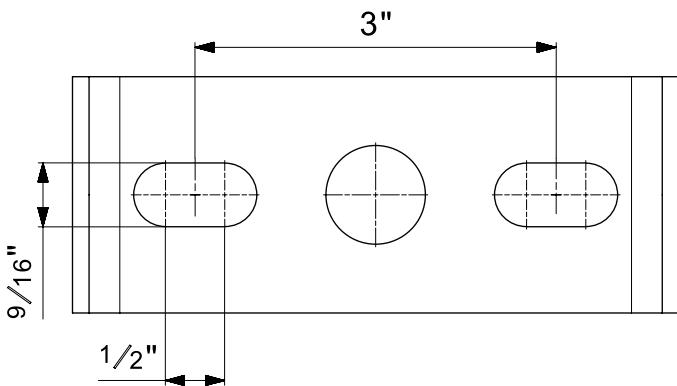
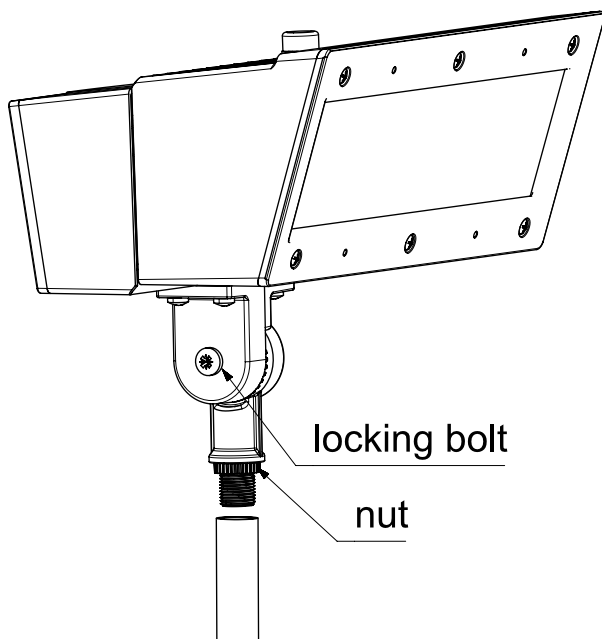


Figure. 1

KNUCKLE MOUNT (KN)

1. Turn off the power.
2. Connect wires as above wiring diagram.
3. Knuckle into the pole by thread. Secure the fixture with nut on the pole. Make necessary waterproof for thread.
4. Loosen the locking bolt and swivel fixture to a desired angle.
5. Tighten the locking bolt.



SLIPFITTER MOUNT (SF)

1. The slipfitter fits a 2-3/8" O.D. Tenon. Make necessary wire connections in the slipfitter and knot wires for strain relief.
2. Place the slipfitter over a tenon or pole and secure the fixture with (2) Set Screws on the side of the Slipfitter.
3. Remove the Slipfitter Cover Plate by removing (2) screws on it. Then loosen the Locking Bolt and swivel fixture to a desired angle. Via the scale mark in the slipfitter.
4. Tighten the Locking Bolt and replace the Slipfitter Cover Plate with removed (2) screws.

