

SUITABLE FOR MODEL**SAFETY INSTRUCTION**

READ CAREFULLY BEFORE INSTALLING FIXTURE. PLEASE KEEP THIS MANUAL FOR FUTURE USING.

Fixtures must be wired in accordance with the National Electrical Code and all applicable local codes. Proper grounding is required for safety.

THIS PRODUCT MUST BE INSTALLED IN ACCORDANCE WITH THE APPLICATION CODE BY A PERSON FAMILIAR WITH THE CONSTRUCTION AND OPERATION OF THE PRODUCT AND THE HAZARDS INVOLVED. MAKE CERTAIN POWER OFF BEFORE INSTALLING OR MAINTAINING FIXTURE.

CHECK THAT VOLTAGE IS COMPATIBLE WITH FIXTURE DRIVER, USE APPROVED CONNECTORS FOR ALL ELECTRICAL CONNECTIONS.

RISK OF FIRE OR ELECTRIC SHOCK. MAKE SURE POWER SUPPLY IS OFF BEFORE INSTALLING OR MAINTAINING THE PRODUCT.

RISK OF FIRE OR ELECTRIC SHOCK. INSTALL THIS PRODUCT ONLY IN THE LUMINAIRES THAT HAVE THE CONSTRUCTION FEATURES AND DIMENSIONS SHOWN IN THE PHOTOGRAPHS AND/OR DRAWINGS AND WHERE THE INPUT RATING OF THE PRODUCT DOES NOT EXCEED THE INPUT RATING OF THE LUMINAIRE.

RISK OF FIRE OR ELECTRIC SHOCK. TO PREVENT WIRING DAMAGE OR ABRASION, DO NOT EXPOSE WIRING TO EDGES OF SHEET METAL OR OTHER SHARP OBJECTS.

RISK OF FIRE OR ELECTRIC SHOCK. LED RETROFIT KIT INSTALLATION REQUIRES KNOWLEDGE OF LUMINAIRES ELECTRICAL SYSTEMS. IF NOT QUALIFIED, DO NOT ATTEMPT INSTALLATION. CONTACT A QUALIFIED ELECTRICIAN.

RISK OF FIRE OR ELECTRIC SHOCK. ONLY THOSE OPEN HOLES INDICATED IN THE PHOTOGRAPHS AND/OR DRAWINGS MAY BE MADE OR ALTERED AS A RESULT OF KIT INSTALLATION. DO NOT MAKE OR ALTER ANY OPEN HOLES IN AN ENCLOSURE OF WIRING OR ELECTRICAL COMPONENTS DURING INSTALLATION.

RISK OF FIRE OR ELECTRIC SHOCK. NEVER PERFORM MAINTENANCE OR CLEANING WHILE FIXTURE IS ENERGIZED. DISCONNECT POWER AND ALLOW FIXTURE TO COOL BEFORE MAINTAINING.




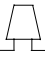

RISK OF INJURY. WEAR SAFETY GLASSES AND GLOVES DURING INSTALLATION AND SERVICING.

MAINTENANCE CAUTION

1. Review the wire connection before beginning, and make sure fixture is grounded properly.
2. For lighting controls, using functioning correctly.
3. Turn power off and wait for fixture cooling to operate.
4. Maintenance must be done by professionals.
5. This unit has more than one power supply connection point.

To reduce the risk of electric shock, disconnect the brand circuit-breakers or fuses and emergency power supply unit before servicing.

WIRE CONNECTION

Fixture	DIM+(Purple)		DIM+
	DIM-(Gray)		DIM-
	ACL(Black)		ACL
	ACN(White)		ACN
	GND (Green/Yellow)		GND

Universal voltage driver permits operation at 120V thru 277V, 50 or 60 Hz. 0-10V control wires must be rated for 300V minimum.

- Connect the black fixture lead to the LINE supply lead.
- Connect the white fixture lead to the NEUTRAL supply lead.
- Connect the green/yellow wire from fixture to supply ground.
- If 0/1-10V dimming is used, connect the purple lead from fixture to the (V+) DIM lead, and the gray lead from fixture to the (V-) DIM lead.
- All unused leads must be capped and insulated.

INSTALLATION

RECESSED CEILING MOUNT

- Remove existing lamps, door frame, lens/louver(if installed). Depending on clearance space, ballast may need to be removed(if clearance permits).
- Gently lift the original Troffer Housing and slide in both side TRK Brackets (2) between the Troffer Housing and the T Bar. Drop the Troffer Housing to make the TRK Brackets (2) be clamped. (See Figure 1)
- Latch the TRK Fixture in two Slots from one TRK Bracket. Hook the Safety Cables (2) in the holes on TRK Bracket.(See Figure 2)
- Connect wires according to wiring diagram. If there is no ground wire, add ground wire to the original Troffer Housing(See Figure 3)
- Close the TRK fixture and secure it with the Hinge (2). (See Figure 4)

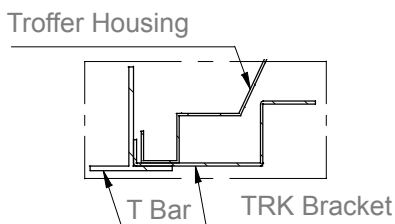
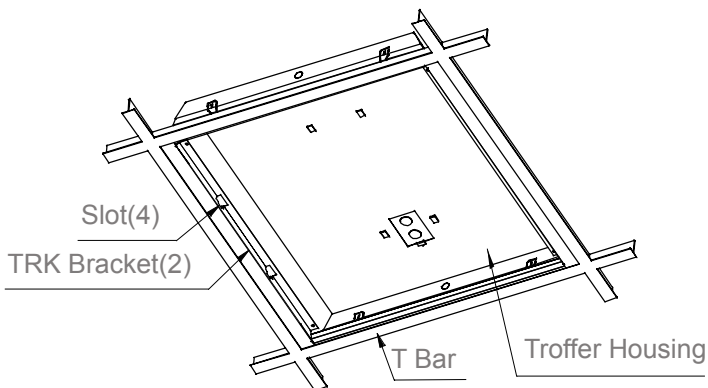


Figure 1

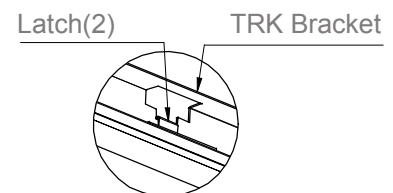
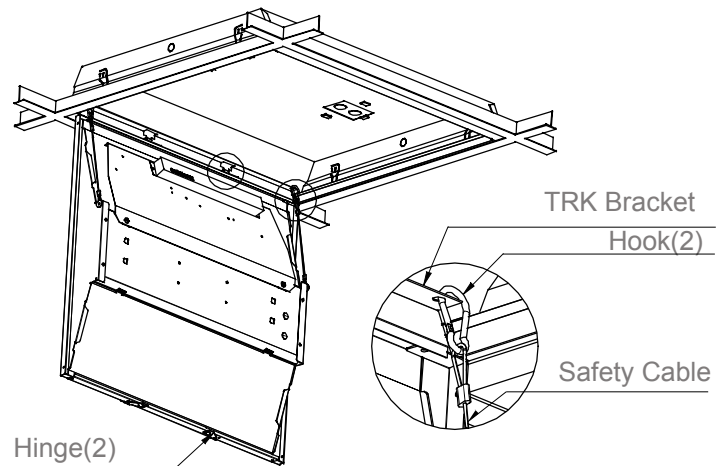


Figure 2

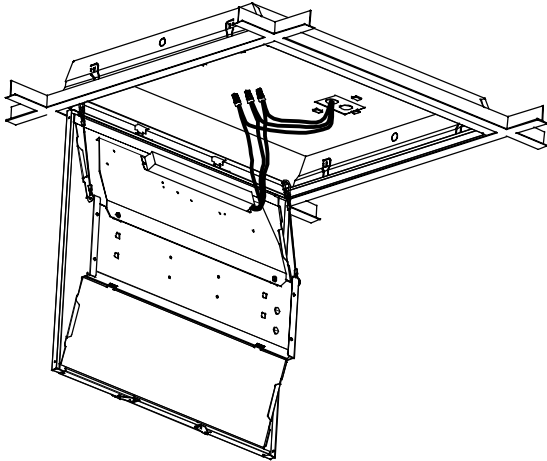


Figure 3

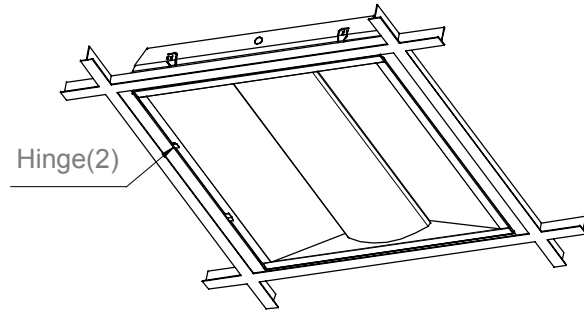


Figure 4