

SUITABLE FOR MODEL



SAFETY INSTRUCTION

READ CAREFULLY BEFORE INSTALLING FIXTURE. PLEASE KEEP THIS MANUAL FOR FUTURE USE.

Fixtures must be wired in accordance with the National Electrical Code and all applicable local codes. Proper grounding is required for safety.

THIS PRODUCT MUST BE INSTALLED IN ACCORDANCE WITH THE APPLICATION CODE BY A PERSON FAMILIAR WITH THE CONSTRUCTION AND OPERATION OF THE PRODUCT AND THE HAZARDS INVOLVED. MAKE CERTAIN POWER IS OFF BEFORE INSTALLING OR MAINTAINING FIXTURE.

CHECK THAT VOLTAGE IS COMPATIBLE WITH FIXTURE DRIVER. USE APPROVED CONNECTORS FOR ALL ELECTRICAL CONNECTIONS.

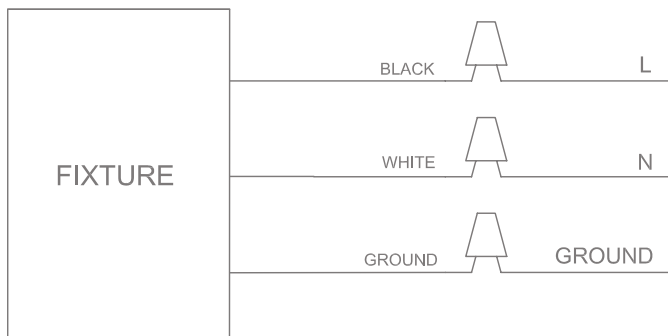
Maintenance Caution

1. Review the wire connection before beginning, and make sure fixture is grounded properly.
2. For lighting controls, follow control instructions carefully.
3. Turn power off and wait for fixture to cool before performing maintenance.
4. Maintenance must be done by professionals.

WIRE CONNECTION

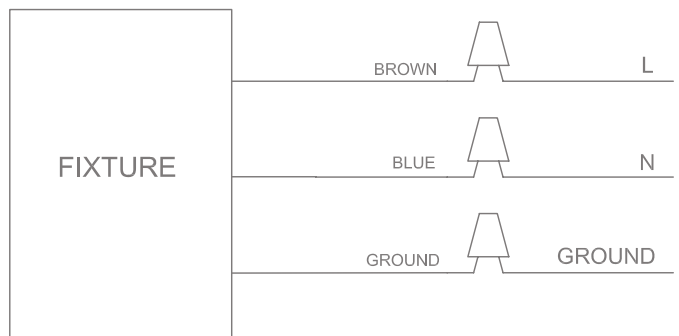
WITH TRUNNION

Universal voltage driver permits operation at 120VAC thru 277VAC or 347VAC or 480VAC, 50 or 60 Hz



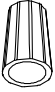

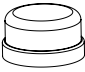
WITH ARM OR SLIPFITTER

Universal voltage driver permits operation at 120VAC thru 277VAC or 347VAC or 480VAC, 50 or 60 Hz



INSTALLATION

ACCESSORY PACK

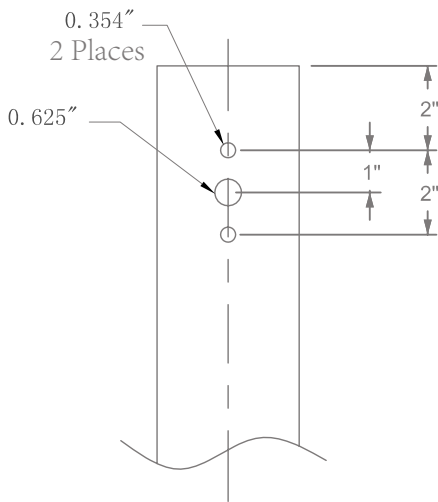
	WIRE NUT X 3
ACCESSORY PACK FOR PHOTOCELL	
	PHOTOCELL X 1
ACCESSORY PACK FOR 7 PIN	
	SHORTING CAP X 1
<p>Note: If fixture is furnished with photocell receptacle, please make sure install the photocell or shorting cap</p>	

WARNING

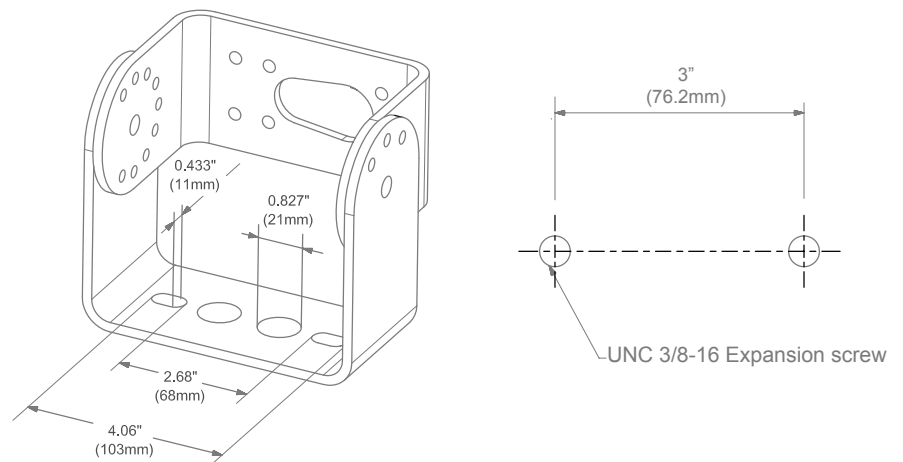
- 1. Risk of injury or damage. Make certain power is OFF before installing or maintaining fixture.**
- 2. If fixture is furnished with photocell receptacle, install the photocell or shorting cap.**

DRILL PATTERN

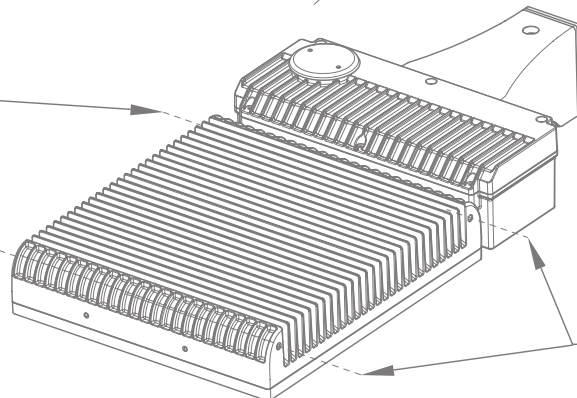
POLE MOUNT DRILL PATTERN



TRUNNION MOUNT DRILL PATTERN

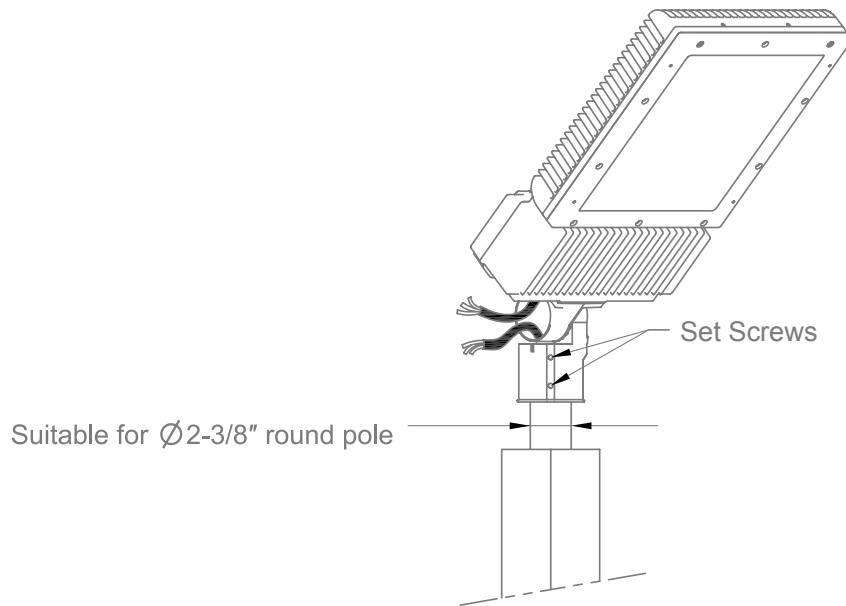


Threaded hole with UNC #5/16-18, the depth of thread no longer than 1"

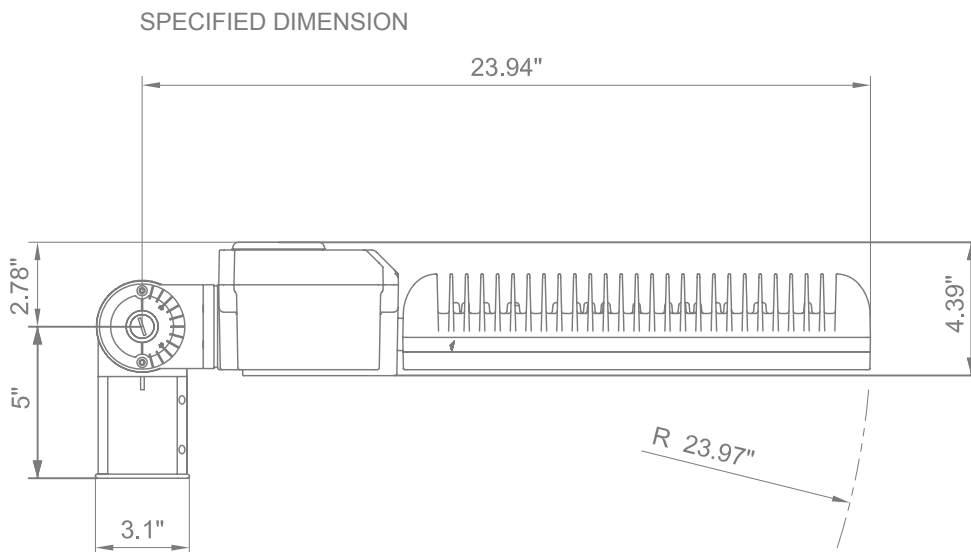


Threaded hole with UNC #5/16-18, the depth of thread no longer than 1"

SLIPFITTER MOUNT



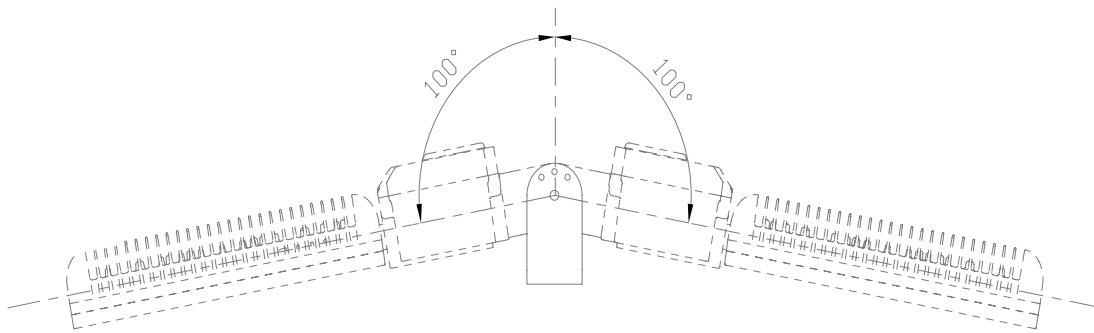
1. The slipfitter fits a 2-3/8" O.D. Tenon or Pole. Remove the Slipfitter Cover Plate and make necessary wire connections in the Slipfitter and knot wires for strain relief.
2. Place the slipfitter over a tenon or pole and secure the fixture with (2) Set Screws on the side of the Slipfitter.
3. Loosen the Locking Bolt in slipfitter to swivel fixture to a desired angle. The graduation on the Slipfitter Cover Plate can be used as guidelines to adjust the angle.
4. Tighten the Locking Bolt and replace the Slipfitter Cover Plate.



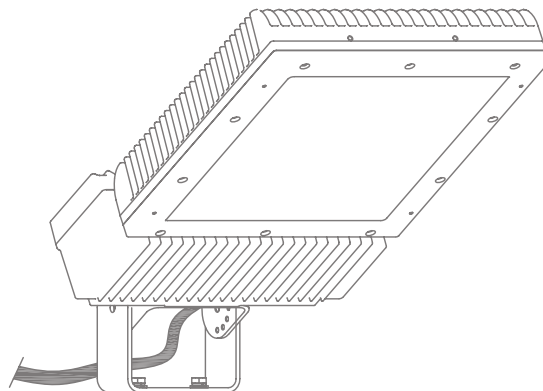
TRUNNION MOUNT

1. Install the trunnion to a desired bracketry by the center hole using (2) Bolts, (2) Locking Washers and (2) Nuts(not supplied) according to the Drill Pattern.
2. Adjust the angle of the fixture by trunnion.
3. Feed Fixture Wires through the center opening of Trunnion Bracket along with a Waterproof Bushing (not supplied).
4. Make the necessary wire connections inside the bracketry and knot wires for strain relief.

Notes: Under no conditions should trunnion bolts be torqued to a level from 25 to 32 foot pounds.



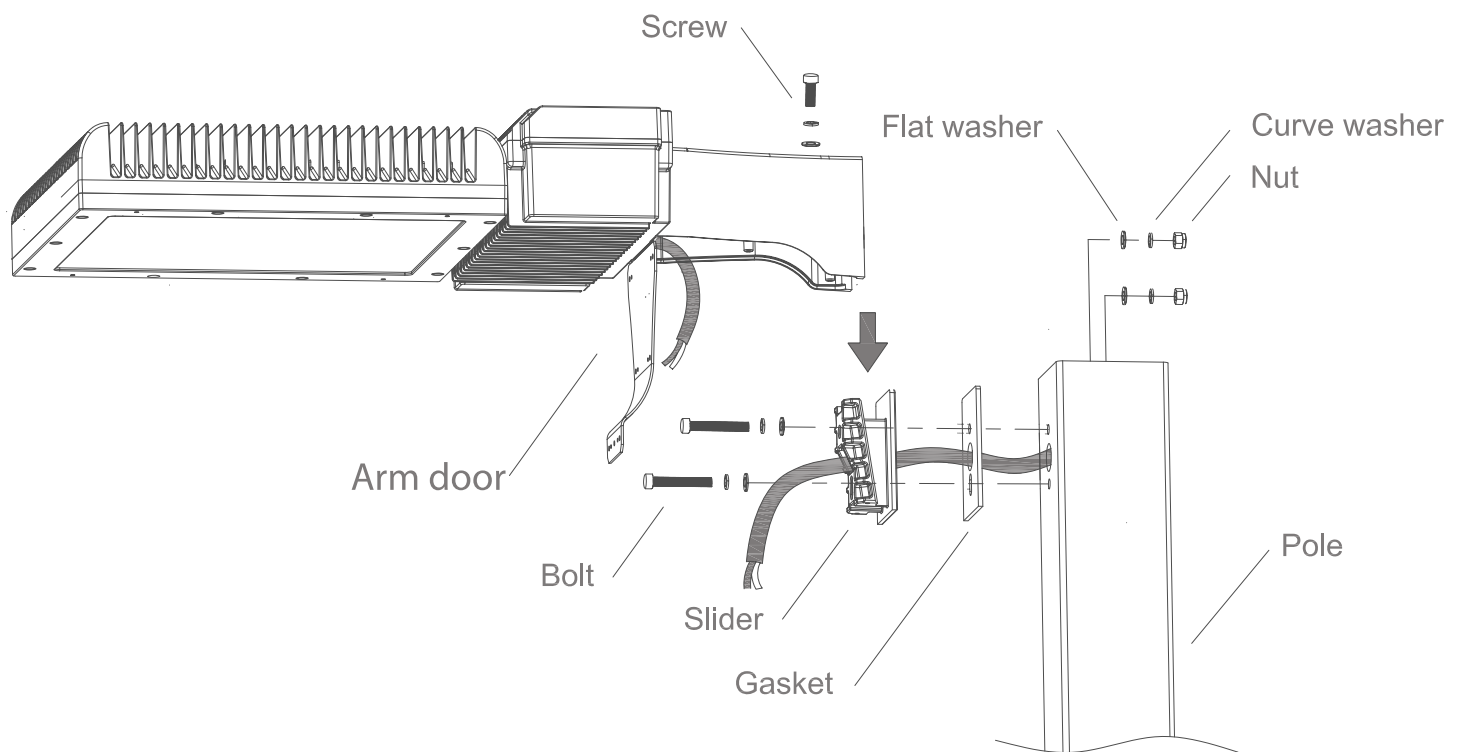
ADJUSTABLE ANGLE :-100°~100°(Spacing angle for 10°)



ROUND POLE ARM MOUNT

Drill the pole according to the drill pattern

1. Feed Supply Wires through the center opening of Pole (not supplied).
2. Secure the Slider on the Pole with (2) Bolts, (4) Curve Washers, (4) Flat Washers and (2) Nuts. Be sure the Gasket is between the Slider and Pole.
3. Open the Arm door and slide luminaire arm onto the Slider. Firmly tighten (1) Screw along with washers on the top of arm.
4. Make necessary wire connections inside the Arm and knot wires for strain relief.
5. Replace the Arm Door and tighten (2) Arm Door Screws.
6. Secure Pole Top Cap (not supplied).



ROUND POLE ARM MOUNT

Drill the pole according to the drill pattern

1. Feed Supply Wires through the center opening of Pole (not supplied).
2. Secure the Slider on the Pole with (2) Threaded Rod, (4) Curve Washers, (4) Flat Washers and (4) Nuts. Be sure the Round Pole Adapter is between two Gaskets.
3. Open the Arm door and slide luminaire arm onto the Slider. Firmly tighten (1) Screw along with washers on the top of arm.
4. Make necessary wire connections inside the Arm and knot wires for strain relief.
5. Replace the Arm Door and tighten (2) Arm Door Screws.
6. Secure Pole Top Cap (not supplied).

