

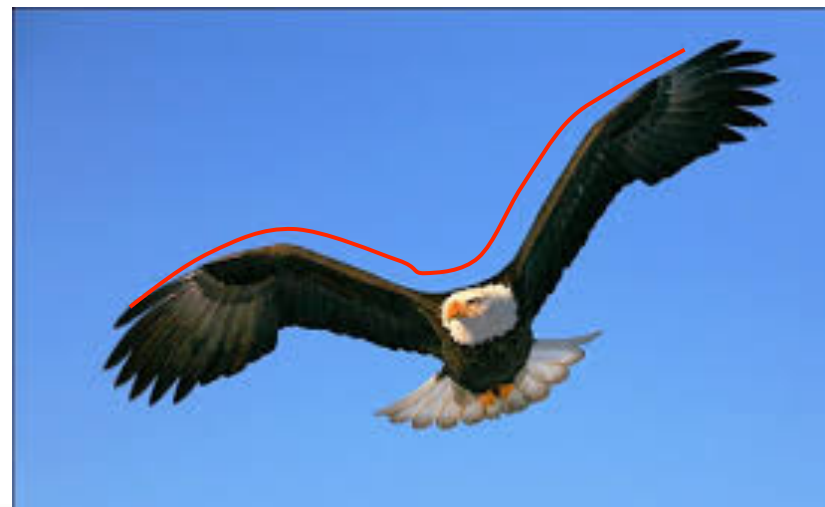
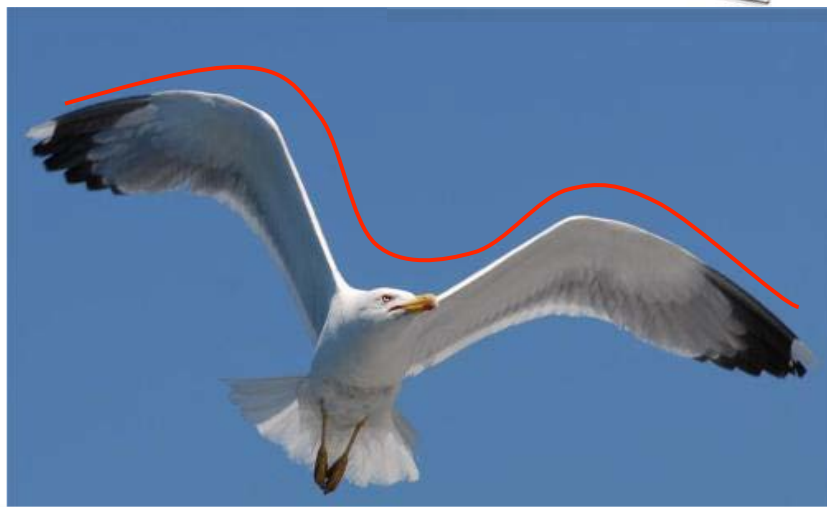


HEAVENLY LINEAR HIGHBAY



HEAVENLY LINEAR HIGHBAY

Born in combination of the wing of eagle and luxury car



HEAVENLY LINEAR HIGHBAY

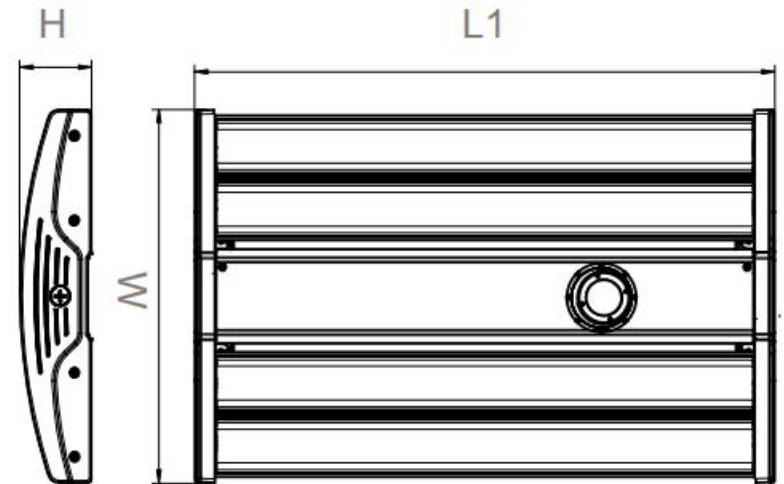
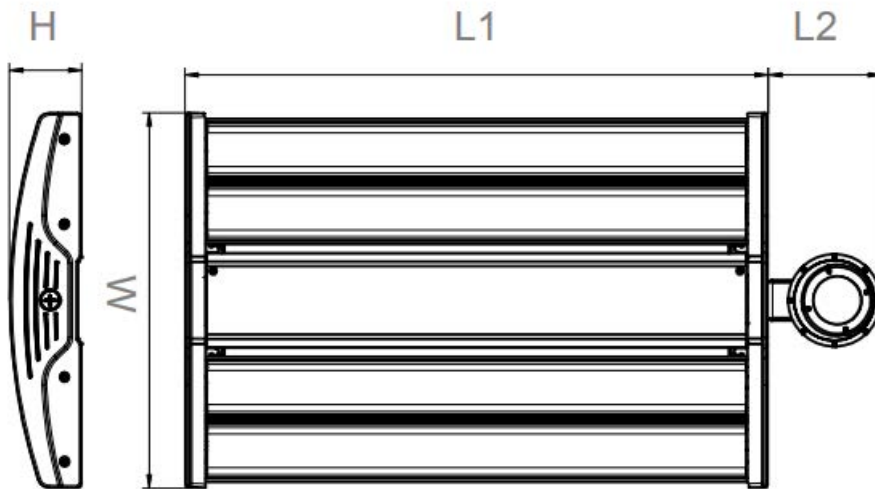


HEAVENLY LINEAR HIGHBAY

DIMENSION

For MS-L7W, MSO & MSW (end mounted)

For MS-L7WI (built-in mounted)



4FT HLHB

L1: 45.5"

L2: 4.92"

W: 16.25"

H: 3.15"

2FT HLHB

L1: 24"

L2: 4.92"

W: 16.25"

H: 3.15"

HEAVENLY LINEAR HIGHBAY

Sensor



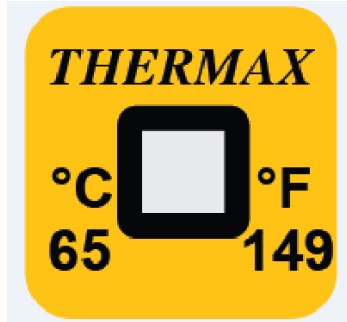
Built In Sensor



End Mounted Sensor

HEAVENLY LINEAR HIGHBAY

FEATURES AND BENEFITS



- ① Textured lens options minimizes high angle glare
- ② Achieves up to 149 °F (65 °C) ambient rating
- ③ Performs at up to 180 lm/W
- ④ 10kV surge suppression protection optional
- ⑤ General, narrow, and medium distributions available to meet both horizontal & vertical light level requirements
- ⑥ Several sleek lens designs to meet various professional distributions

HEAVENLY LINEAR HIGHBAY

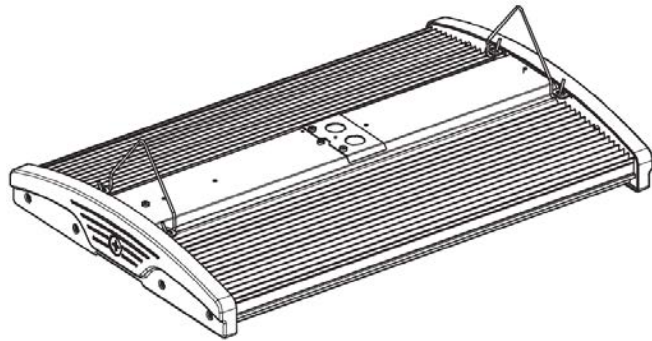
PERFORMANCE DATA

| Series | Nominal Watts | Measured Watts | Lumen | CCT, Ra | Distribution | Lens | Efficacy | Maximum Ambient |
|-------------|---------------|----------------|-------|---------|--------------|------|------------|-----------------|
| 2FT HLHB | 65 | 65 | 11400 | 5000,80 | General | None | 175 | 65°C |
| | 95 | 100 | 17500 | 5000,80 | General | None | 175 | 65°C |
| | 135 | 135 | 23600 | 5000,80 | General | None | 175 | 65°C |
| | 175 | 175 | 31500 | 5000,80 | General | None | 180 | 65°C |
| | 220 | 210 | 37800 | 5000,80 | General | None | 180 | 65°C |
| 4FT HLHB | 220 | 210 | 37800 | 5000,80 | General | None | 180 | 65°C |
| | 270 | 270 | 47300 | 5000,80 | General | None | 175 | 65°C |
| | 350 | 350 | 63000 | 5000,80 | General | None | 180 | 65°C |

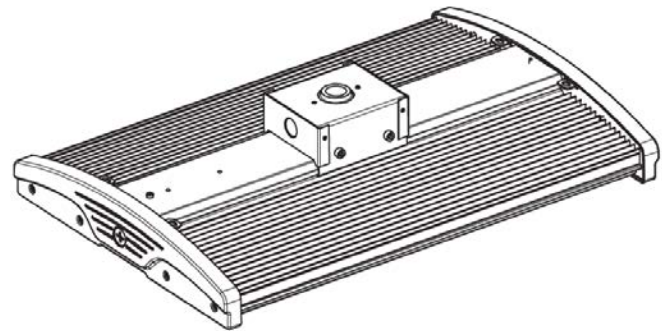
| Lens | Lumen Multiplier |
|---------------------------|------------------|
| Without | 1 |
| Clear Polycarbonate (PCL) | 0.90 |
| Acrylic Clear (ACL) | 0.93 |
| Acrylic Frosted (AFL) | 0.89 |

HEAVENLY LINEAR HIGHBAY

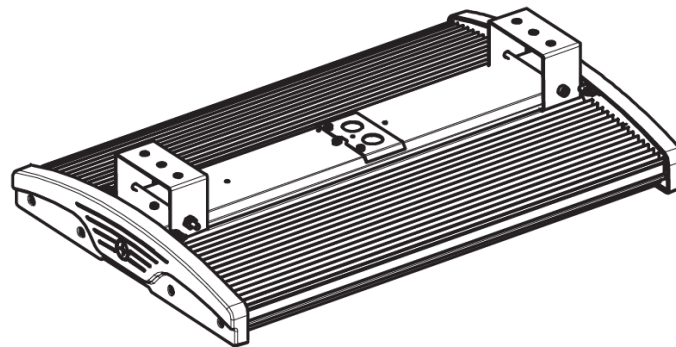
MOUNTING OPTIONS



V Hook Mounting(Standard)



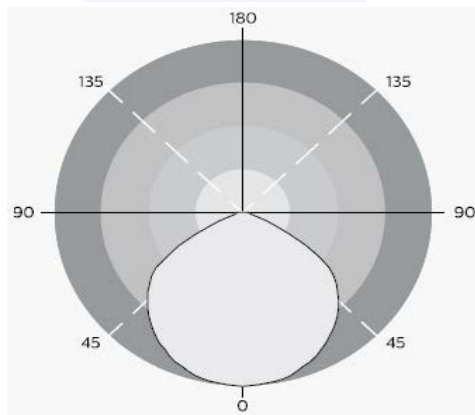
Pendant Mounting(Accessory optional)



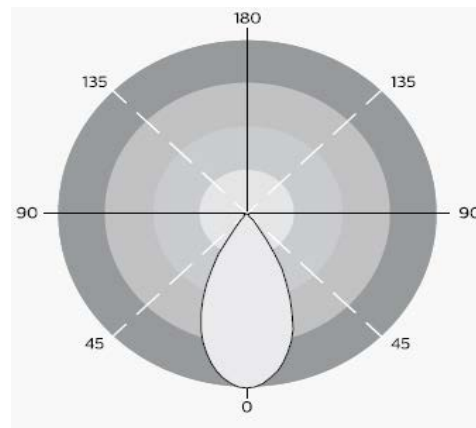
Channel Mounting(Accessory optional)

HEAVENLY LINEAR HIGHBAY

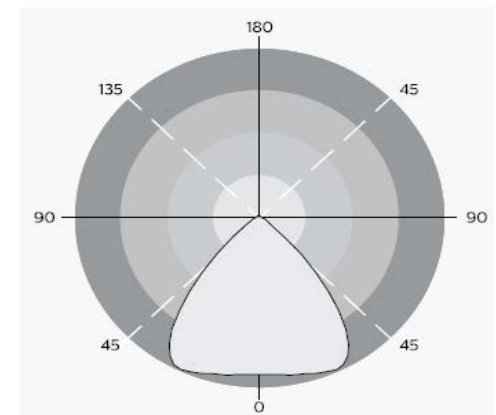
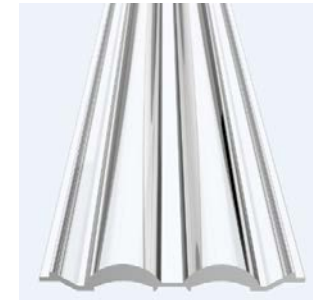
THREE TYPE DISTRIBUTIONS OPTIONAL



General



Narrow



Medium

HEAVENLY LINEAR HIGHBAY

Ordering Information

Example: HLHB02-175501-G-AFL

| Series | Length | Watts | CCT | Voltage | Controls | Distribution | LENS |
|--------|-----------------------|-----------------|----------|---------------|--|--------------|---|
| HLHB | 02 - 2FT ¹ | 65 - 65 Watts | 35-3500K | 1 - 120V-277V | Blank - None | G - General | Blank - None |
| | 04 - 4FT ² | 95 - 100 Watts | 40-4000K | 6 - 347/480V | MS-L7W - End Mounted Motion Sensor with White L7 Lens ⁷ | N - Narrow | Can be ordered and shipped separately |
| | | 135 - 135 Watts | 50-5000K | | MS-L7WI - Built in Motion Sensor with White L7 Lens ¹⁰ | M - Medium | PCL - Polycarbonate Clear Lens ⁴ |
| | | 175 - 175 Watts | | | MSO - ON/OFF Motion Sensor ⁸ | | PFL - Polycarbonate Frosted Lens |
| | | 220 - 210 Watts | | | MSW - Microwave Dimming Sensor ⁹ | | AFL - Acrylic Frosted Len ⁵ |
| | | 270 - 270 Watts | | | EBU - Emergency Battery Backup ³ | | ACL - Acrylic Clear Lens ⁶ |
| | | 350 - 350 Watts | | | | | |
| | | | | | | | |

Notice:

- 2FT HLHB is available from 65W to 210W
- 4FT HLHB is available from 210W to 350W
- Emergency battery backup is available in 10W with 1800lm @ 120-277V. For ambient temperatures of 32°F-104°F(0°C-40°C). The emergency test button is pre-installed on fixture. 347/480V is not for emergency battery backup.
- Polycarbonate clear lens is standard. If for polycarbonate frosted lens, acrylic clear and frosted lens, please contact customer service for lead time firstly
- Acrylic frosted lens is not available with Narrow and Medium distribution
- Acrylic clear lens is not available with Narrow and Medium distribution
- MS-L7W is mounted at the end of fixture.
- MSO is mounted at the end of fixture.
- MSW is mounted at the end of fixture. It is only with 120-277V.
- MS-L7WI is built in mounted. It is only with 120-277V.

HEAVENLY LINEAR HIGHBAY

COMPLIANCE & STANDARD



HEAVENLY LINEAR HIGHBAY

APPLICATIONS

- Warehousing
- Manufacturing
- Gymnasiums
- Other large indoor spaces





Thank you!