

# High Power UFO LED HB

2018



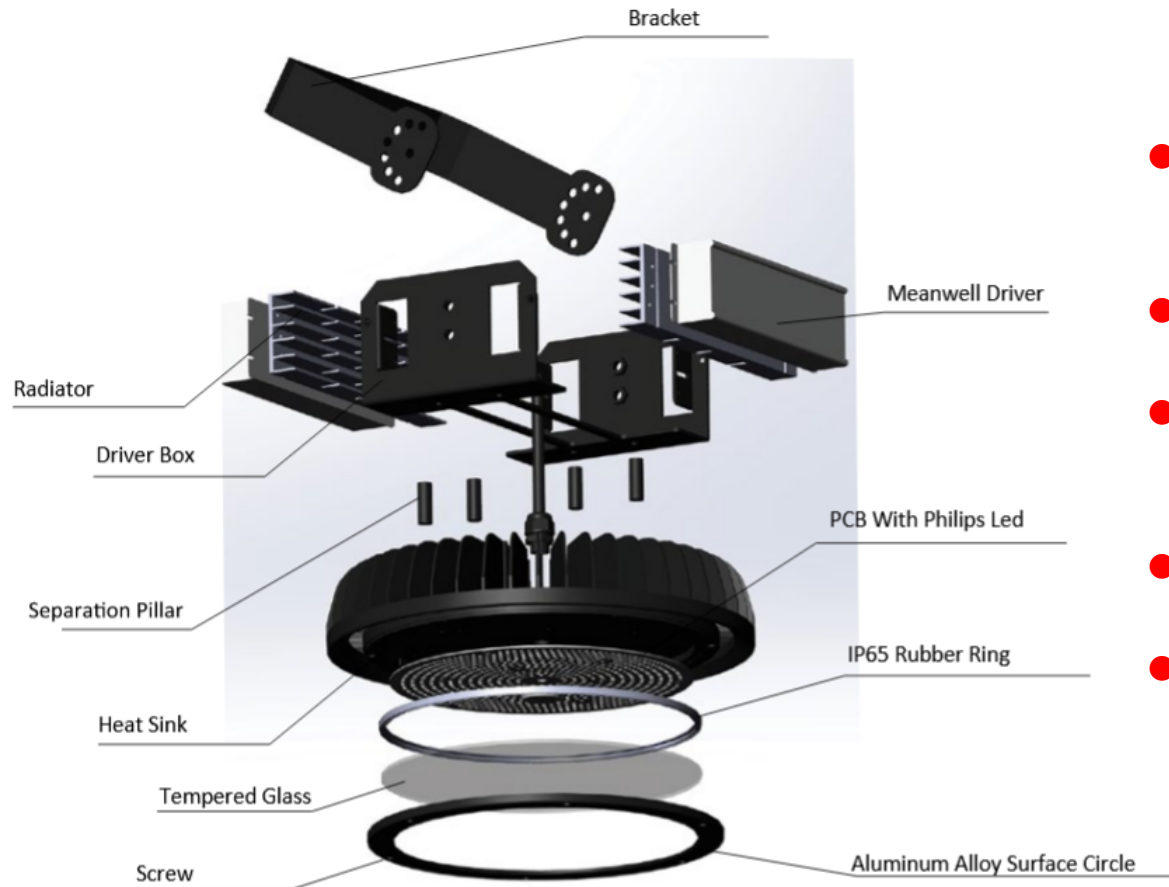
## Introduction

High power LED UFO High Bay Light is for workssho p, warehouse, indoor stadium and other industrial ap plications. It is an ideal replacement for Induction lam p, metal halide or HID lamp from 800W to 1500W.

Wattage	300W	400W	500W
Equivalent	800 MH	1000 MH	1500 MH
Lumen output	39,000lm	52,000lm	65,000lm
LPW	<b>130lm/W</b>		
CCT	3000K 4000K 5000K		
Distribution	<b>60/90/120 degree</b>		
Voltage input	120-277V/347V/480V		
Compliance	<b>UL/DLC</b>		



## Features & Benefits



Explosive view for 500W

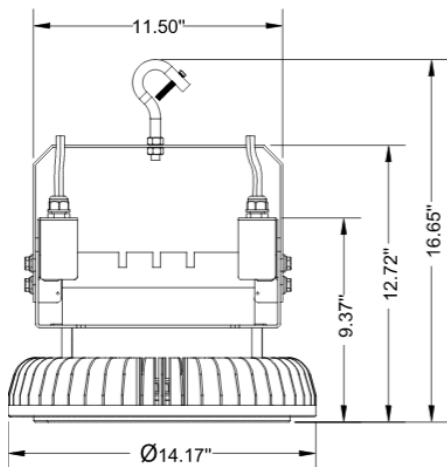
- **65,000lm** to replace the 1500W MH or HID
- **IP65** for wet location
- Maximum **122°F (50°C)** high ambient
- **60° and 90°** reflector optional
- **347/480V** available



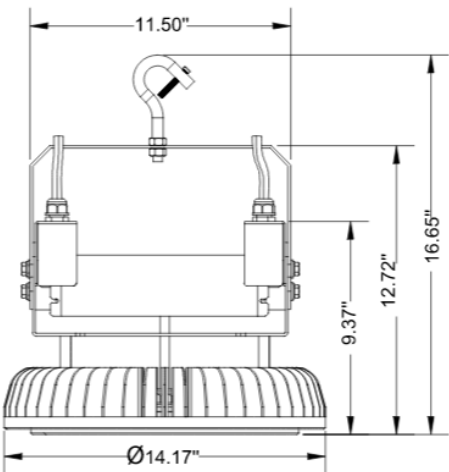
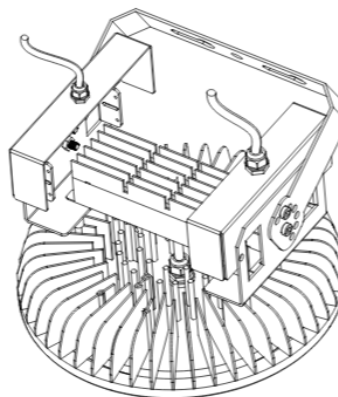
# ABOVE ALL

www.AboveAllLighting.com

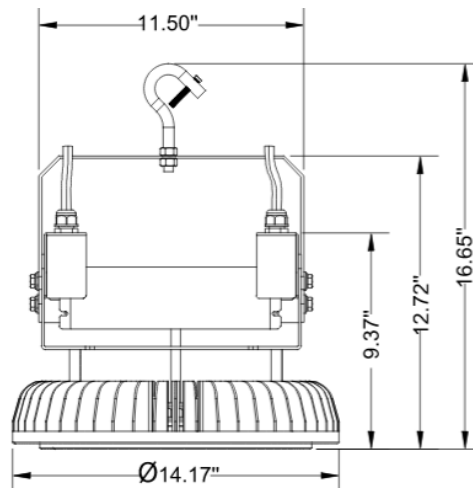
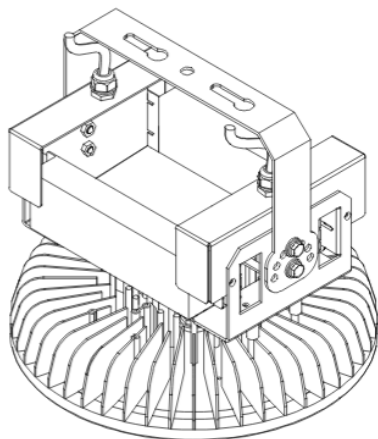
## Dimension



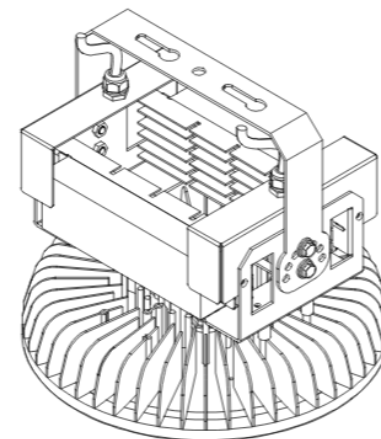
300W



400W



500W



## Accessories

SKU	MODEL	IMAGE	DESCRIPTION
90210	URHB-AL90-L		90 degree aluminum reflector Suitable for high power UFO high bay 300W, 400W and 500W
90211	URHB-PC60-L		60 degree PC reflector Suitable for high power UFO high bay 300W, 400W and 500W



**Thank you!**