

SUITABLE FOR MODEL



SAFETY INSTRUCTION

READ CAREFULLY BEFORE INSTALLING FIXTURE. PLEASE KEEP THIS MANUAL FOR FUTURE USE.

Fixtures must be wired in accordance with the National Electrical Code and all applicable local codes. Proper grounding is required for safety.

THIS PRODUCT MUST BE INSTALLED IN ACCORDANCE WITH THE APPLICATION CODE BY A PERSON FAMILIAR WITH THE CONSTRUCTION AND OPERATION OF THE PRODUCT AND THE HAZARDS INVOLVED.

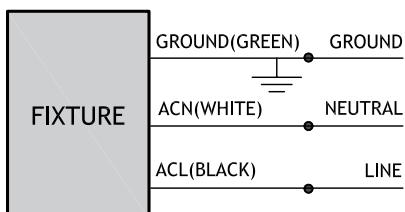
MAKE CERTAIN POWER IS OFF BEFORE INSTALLING OR MAINTAINING FIXTURE. CHECK THAT VOLTAGE IS COMPATIBLE WITH FIXTURE DRIVER. USE APPROVED CONNECTORS FOR ALL ELECTRICAL CONNECTIONS.

MAINTENANCE CAUTION

1. Review the wire connection before beginning, and make sure fixture is grounded properly.
2. For lighting controls, follow control instructions carefully.
3. Turn power off and wait for fixture to cool before performing maintenance.
4. Maintenance must be done by professionals.

WIRE CONNECTION

Universal Voltage 40W, 60W, 80W permits operation at 120VAC thru 277VAC or 347VAC or 480VAC, 50 or 60 Hz.



Make the following Electrical Connection:

- a). Connect the voltage supply line to ACL in Black.
- b). Connect the voltage supply Neutral to ACN in White.
- c). Connect Green ground lead to the supply ground lead.

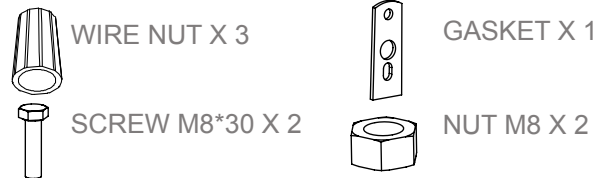
INSTALLATION

ACCESSORY PACK

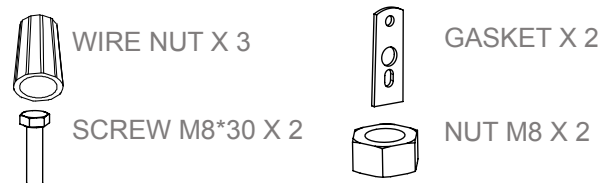
ACCESSORY PACK FOR SF AND TR



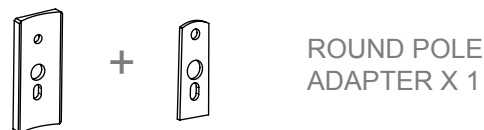
ACCESSORY PACK FOR SAR



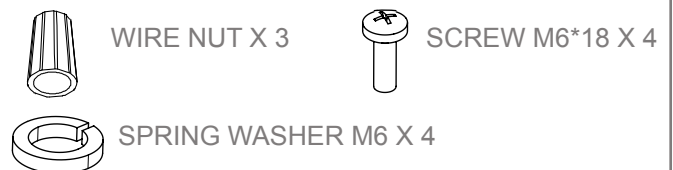
ACCESSORY PACK FOR RAR



ACCESSORY PACK SHIPPED SEPARATE WITH SKU#90204



ACCESSORY PACK FOR WM



ACCESSORY PACK FOR PHOTOCELL



ACCESSORY PACK FOR 7 PIN



Note: If fixture is furnished with photocell receptacle, please make sure install the photocell or shorting cap

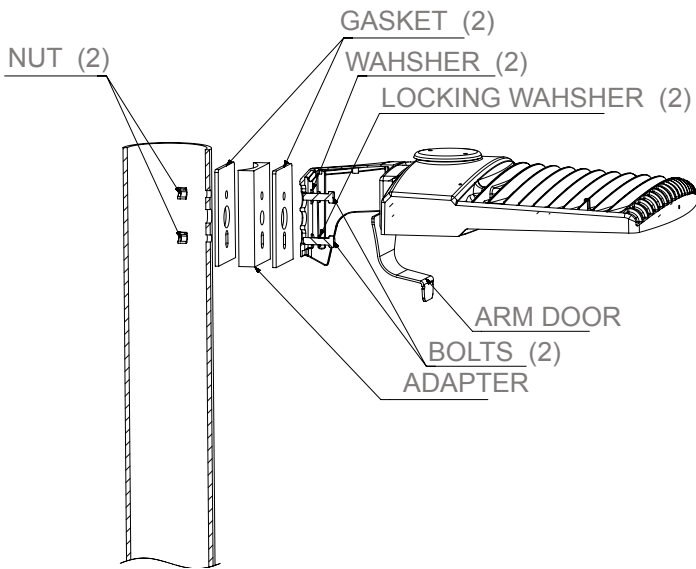
WARNING

Risk of injury or damage. Make certain power is OFF before installing or maintaining fixture.

ROUND POLE ARM MOUNT (RAR)

Drill the pole according to the drill pattern Fig.1

1. Loosen (2) Screws on the Arm Door and open the Door.
2. Feed Supply Wires through the center opening of Pole (not supplied).
3. Insert one Bolt into Pole through the upper hole along with Locking Washer, Washer, Gasket, Adapter, Gasket and Nut but do NOT tighten.
4. Feed Supply Wires into Arm. Hung the Fixture on the Bolt. Adjust the Fixture and thread the other bolt through Locking Washer, Washer, Arm, Gasket, Adapter, Gasket, Pole and Nuts. Then tighten both Nuts. Make sure the Adapter is between two Gasket.
5. Make necessary wire connections inside the Arm and knot wires for strain relief.
6. Replace the Arm Door and tighten the (2) Arm Door Screws.
7. Secure Pole Top Cap (not supplied).



AR MOUNT DRILL PATTERN

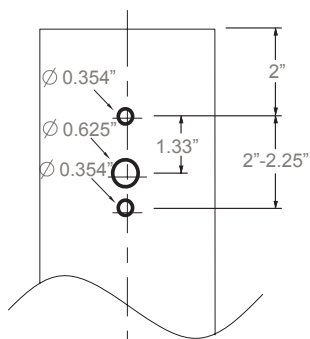
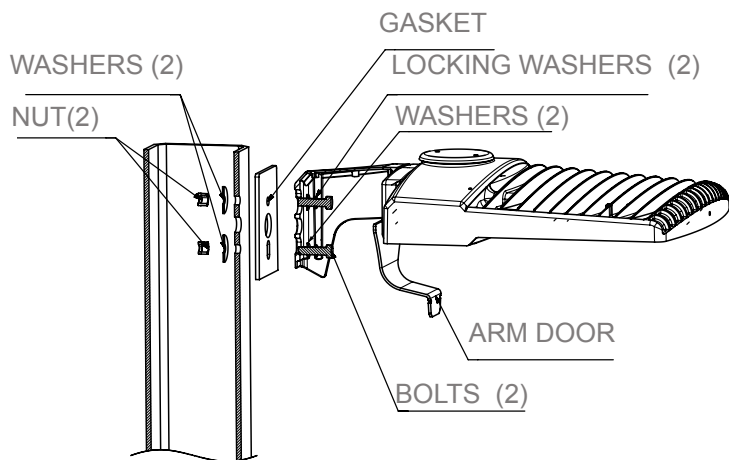


Fig.1

SQUARE POLE ARM MOUNT (SAR)

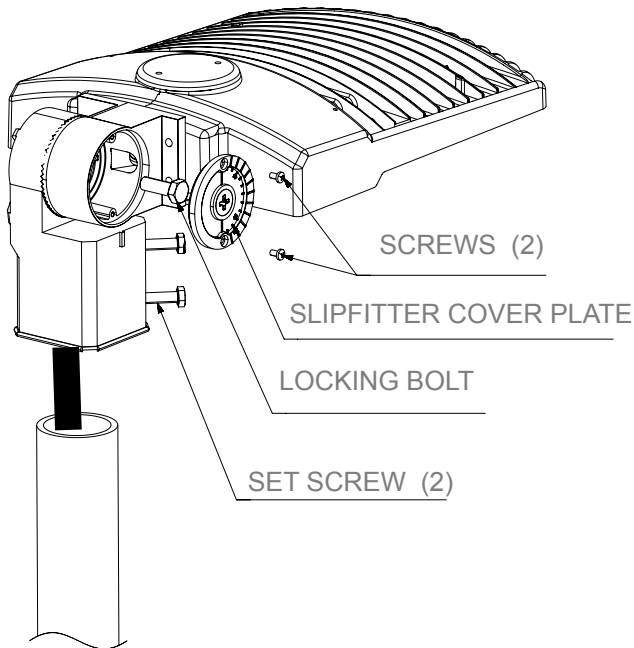
Drill the pole according to the drill pattern Fig.1

1. Loosen (2) Screws on the Arm Door and open the Door.
2. Feed Supply Wires through the center opening of Pole (not supplied).
3. Insert one Bolt into Pole through the upper hole along with Locking Washer, Washer, Gasket and Nut but do NOT tighten.
4. Feed Supply Wires into Arm. Hung the Fixture on the Bolt. Adjust the Fixture and thread the other bolt through Locking Washer, Washer, Arm, Gasket, Pole, Washer and Nuts. Then tighten both Nuts. Make sure the Gasket is between Arm and Pole.
5. Make necessary wire connections inside the Arm and knot wires for strain relief.
6. Replace the Arm Door and tighten the (2) Arm Door Screws.
7. Secure Pole Top Cap (not supplied).



SLIPFITTER MOUNT (SF)

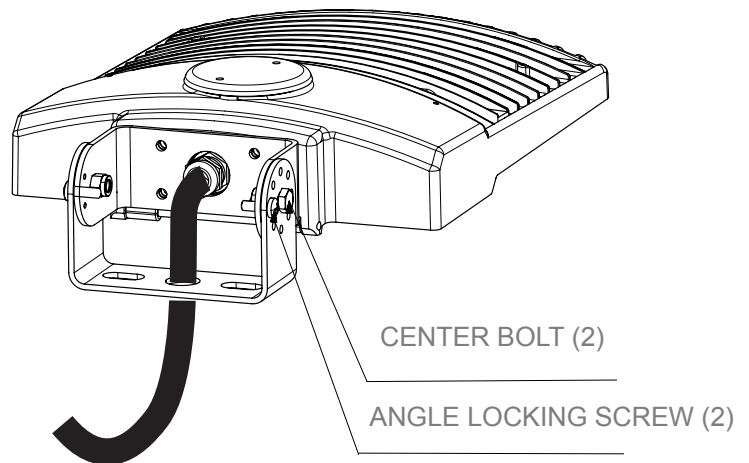
1. The slipfitter fits a 2-3/8" O.D. Tenon. Make necessary wire connections in the Slipfitter and knot wires for strain relief.
2. Place the slipfitter over a tenon or pole and secure the fixture with (2) Set Screws on the side of the Slipfitter.
3. Remove the Slipfitter Cover Plate by removing (2) screws on it. Then loosen the Locking Bolt and swivel fixture to a desired angle. The graduation on the Slipfitter Cover Plate can be used as guidelines to adjust the angle.
4. Tighten the Locking Bolt and replace the Slipfitter Cover Plate with removed (2) screws.



TRUNNION MOUNT (TR)

Drill the pole according to the drill pattern Fig.2

1. Install the trunnion to a desired bracketry by the center hole using (2) Bolts, (2) Locking Washers and (2) Nuts (not supplied) according to the Drill Pattern.
2. Adjust the angle of the fixture by trunnion.
 - a. Loosen the (2) Center Bolts and (2) Angle Locking Screws on the trunnion.
 - b. Swivel fixture to a desired angle.
 - c. Tighten (2) Center Bolts and (2) Angle Locking Screws.
3. Feed Fixture Wires through the center opening of Trunnion Bracket along with a Waterproof Bushing (not supplied).
4. Make the necessary wire connections inside the bracketry and knot wires for strain relief.



TRUNNION MOUNT DRILL PATTERN

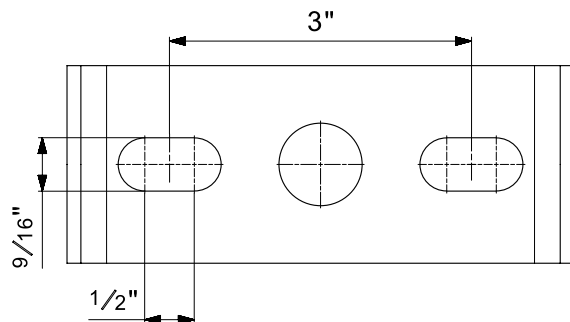


Fig.2

WALL MOUNT (WM)

Drill 4 mounting holes on the surface of wall according to the drill pattern Fig.3. The aperture need to be suitable for # 8-32 expansion screw.

1. Support the fixture to wall structure by customer supplied support wire through the Support Wire Hole.
2. Make wire connection in the customer supplied Embedded Junction Box.
3. Push all the wires into the Embedded Junction Box. Secure the Wall Mount Bracket to the wall with Screw M6*18 (4) and Spring Washer M6 (4).

Notes:

Make sure the waterproof treatments are done well when making wiring and closing junction box.

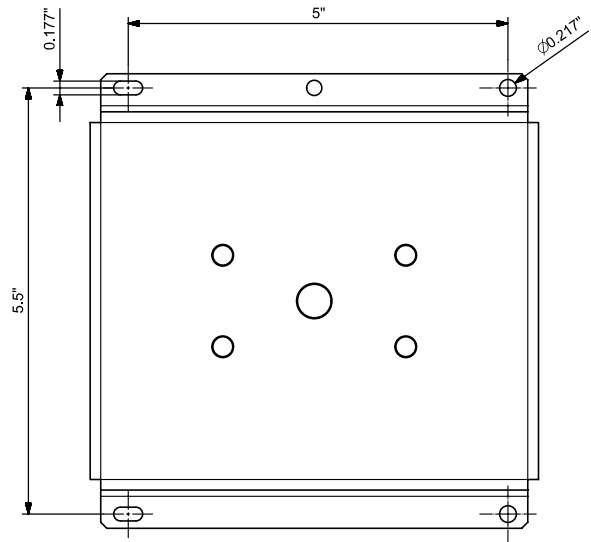
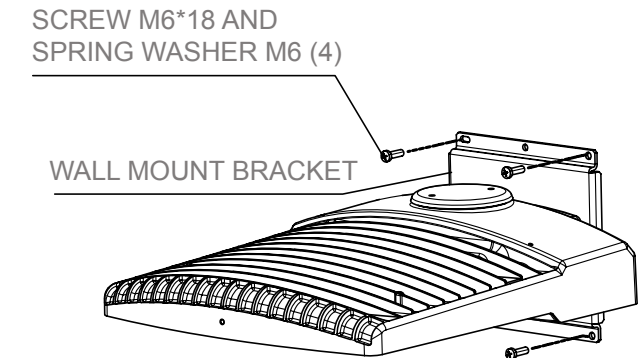
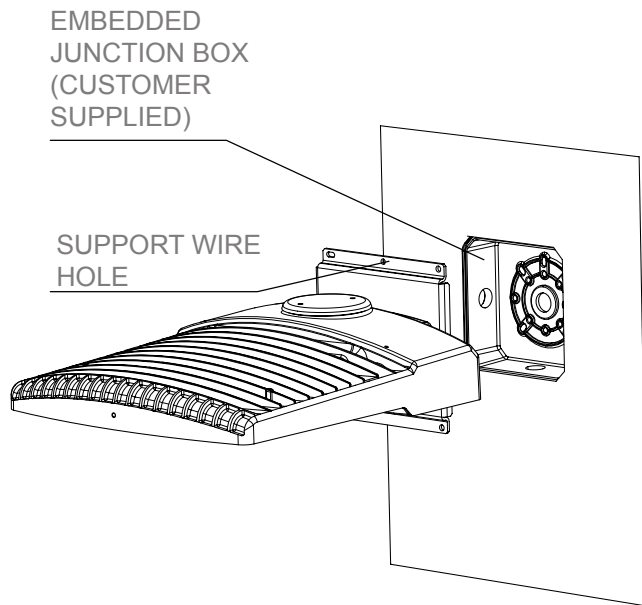


Fig.3

Note: If fixture is furnished with photocell receptacle, install the photocell or shorting cap.

Ref#:20109-11217