

Above All



**Natural Science &
Modern Industrial Design**

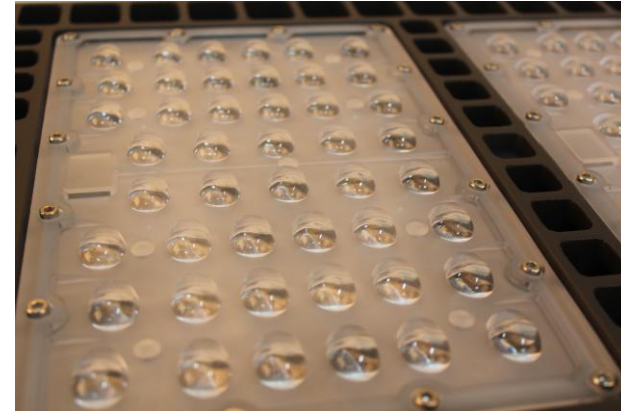
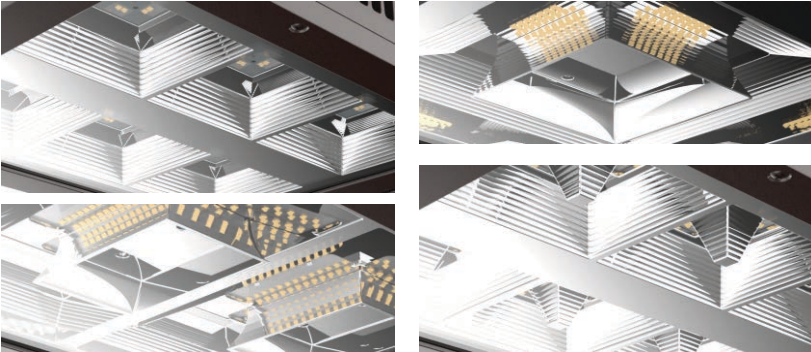
Some Low Quality Product



**Ordinary Design
Common in the market**

Above All

Some Low Quality Product



- **Special reflector design**
high performance optics
- **Tempered glass lens**
doesn't fade and discolor

Polycarbonate lens
easy to turn yellow and crack

Above All



Better Heat Management & Longer Life Span

- Heavy Duty Aluminum
- Streamlined Heat Sink Fins
- Main body separates from the driver
- Very large heat dissipation area

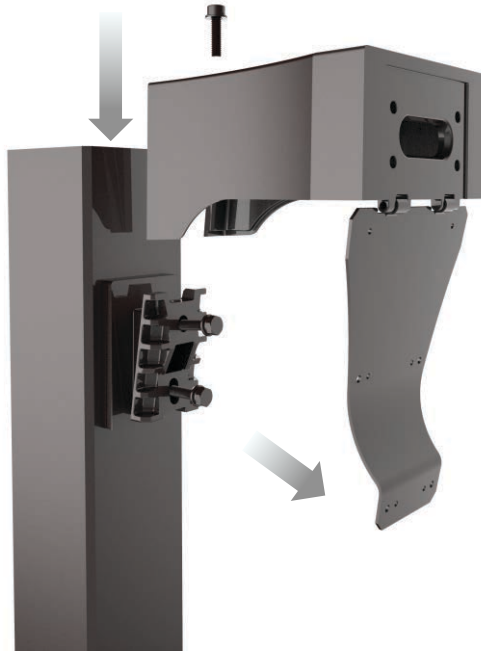
Some Low Quality Product



Bad Heat Management & Shorter Life Span

- Very Light Aluminum
- Main body shares the same heat structure with the driver

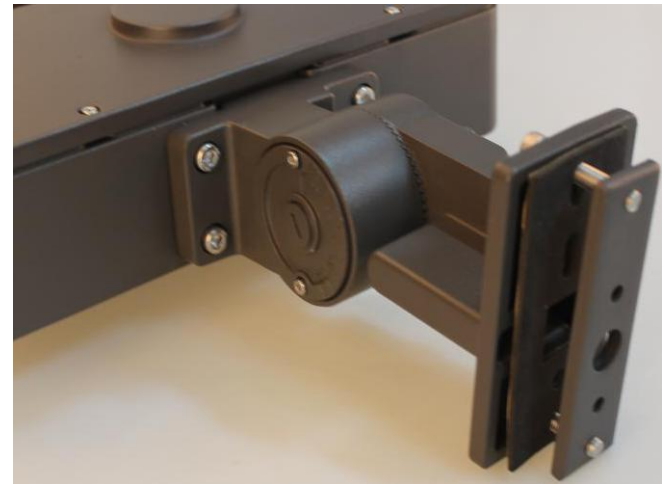
Above All



Swing-down, Hinged Arm Door
convenient for wiring

Exclusive Slider Design
for quick and easy installation

Some Low Quality Product

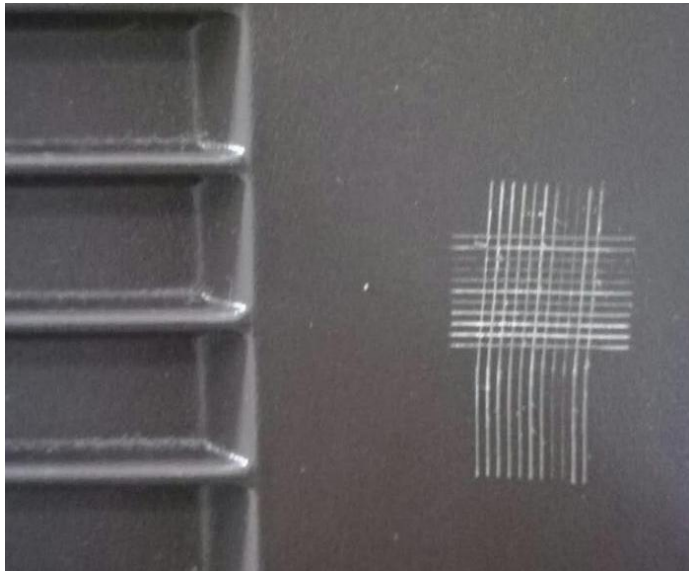


Inconvenient arm mount design
Much labor cost

Two workers for installation at least
One is to lift the fixture one is to install

Adhesion Cross-Cut Test

Above All



PASS

It can withstand extreme weather changes without cracking or peeling

Some Low Quality Product



FAILED

Waterproof Test

Above All

**Some Low Quality
Product**



**No water leakage
Real IP66 rated**

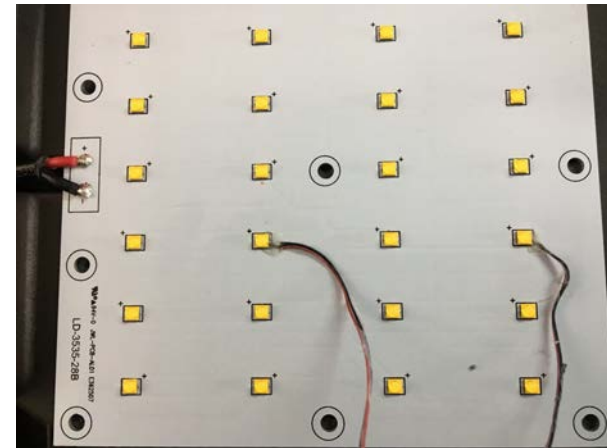
**Water leakage in the driver
box after waterproof test**

Above All

Some Low Quality Product



65,000 hours for 150W MT in **140°F (60°C)**
with no less than 70% lumen output



48,000 hours for 150W in **104°F (40°C)**