

SUITABLE FOR MODEL**IMPORTANT SAFEGUARDS**

When using electrical equipment, basic safety precautions should always be followed, including the following:

READ AND FOLLOW ALL SAFETY INSTRUCTIONS:

- 01) The FHSCP-UNV is designed for factory installation and for field installation only if determined to meet the as installed egress requirements as outlined on page 3 of these instructions.
- 02) Installation should be performed by qualified personnel only.
- 03) Install in accordance with the National Electric Code and applicable local codes.
- 04) The FHSCP-UNV requires an unswitched AC power source of 120 to 277 volts, 50/60 HZ.
- 05) The FHSCP-UNV is suitable for use in dry and damp location where ambient temperature is 0 to 40°C.
- 06) The FHSCP-UNV should be mounted in locations and at heights where it will not readily be subjected to tampering by unauthorized personnel.
- 07) The FHSCP-UNV is suitable for use only with LED lamps having an operating voltage of 20Vdc minimum, 50Vdc maximum and will provide 90 minutes of emergency operation.
- 08) To reduce the risk of electrical shock, do not connect FHSCP-UNV converter connector until installation is complete and AC power is applied to the luminaire.
- 09) The FHSCP-UNV has more than one power source. To reduce the risk of electrical shock, remove the normal AC power source(s) to the luminaire and disconnect the FHSCP-UNV converter connector before servicing.
- 10) The use of accessory equipment not recommended by the manufacturer may cause an unsafe condition and will void warranty.
- 11) Do not use this equipment for other than intended use.
- 12) Do not mount near gas or electric heaters.
- 13) Servicing of this equipment should be performed by qualified personnel only.
- 14) The FHSCP-UNV is a sealed unit. Components are not replaceable. Replace entire unit when necessary.
- 15) The FHSCP-UNV contains a non-replaceable NiCd battery that must be recycled properly.

SAVE THESE IMPORTANT SAFETY INSTRUCTIONS

The installation and use of this product must comply with all national, federal, state, municipal, or local codes that apply. Please read this manual thoroughly before installing or operating FHSCP-UNV Emergency LED Drivers.

WIRE CONNECTION

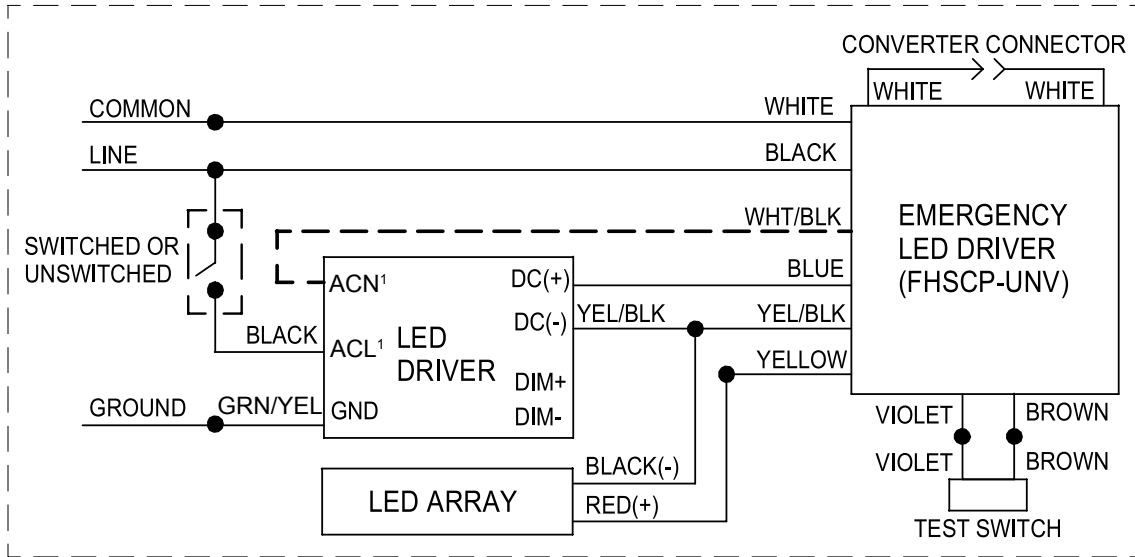
CAUTION: Before installing, make certain the AC power is off and the FHSCP-UNV converter connector is disconnected.

Universal voltage driver permits operation at 120V thru 277V, 50 or 60 Hz. 0-10V control wires must be rated for 300V minimum.

1. If switching, connect SWITCHED black lead to a switch.
2. If not using a switching method, connect the UNSWITCHED and SWITCHED black lead together.
3. Connect the UNSWITCHED black fixture lead to the LINE supply lead.
4. Connect the COMMON white fixture lead to the COMMOM supply lead.
5. Connect the GROUND wire from fixture to supply ground.



- If 0/1-10V dimming is used, connect the (V+) DIM lead to the (DIM+) terminal block from the fixture.
- If 0/1-10V dimming is used, connect the (V-) DIM lead to the (DIM-) terminal block from the fixture.
- Install the test switch based on the following step 7 of installation.
- When the installation is complete, switch the AC power ON and join the FHSCP-UNV converter connector.
- All unused leads must be capped and insulated.



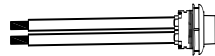
NOTE: 1. The maximum forward AC current of normal LED driver is 10A, please avoid using LED driver as bypass wire when adopt daisy chain connection.

INSTALLATION

ACCESSORY PACK



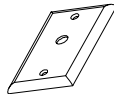
WIRE NUT X 3



TEST SWITCH WITH NUT X 1



SCREWx2



TEST SWITCH PLATE x1

RECESSED MOUNT

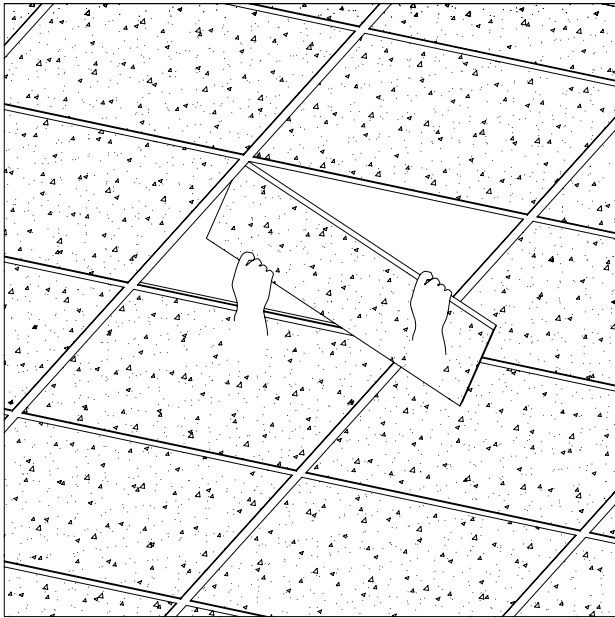
- Please check the fitting bag with components list.
- Comparing with the specification as follows, judging if the ceiling is meeting the installation requirement for recessed installation.

SPEC	Size/mm
1x4	300±1(L)*1214±1(W)
2x2	604±1(L)*604±1(W)
2x4	604±1(L)*1214±1(W)

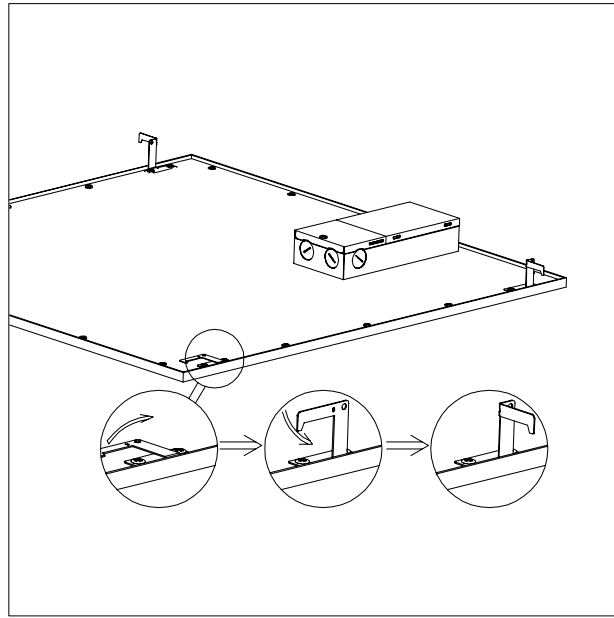
- ! Please confirm the dimensions of the ceiling channel and the lamp is matching.
- ! Please confirm load-bearing is enough to support the lamp.



3. Take the ceiling panel down.

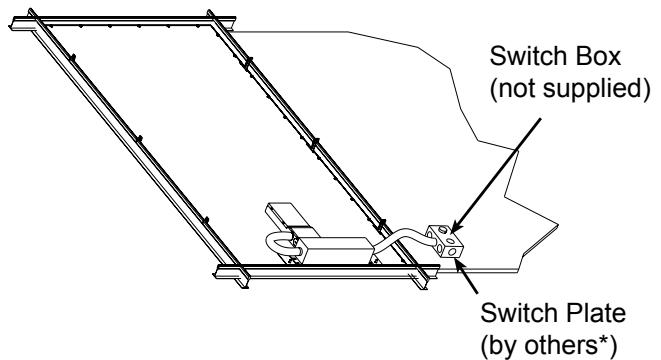
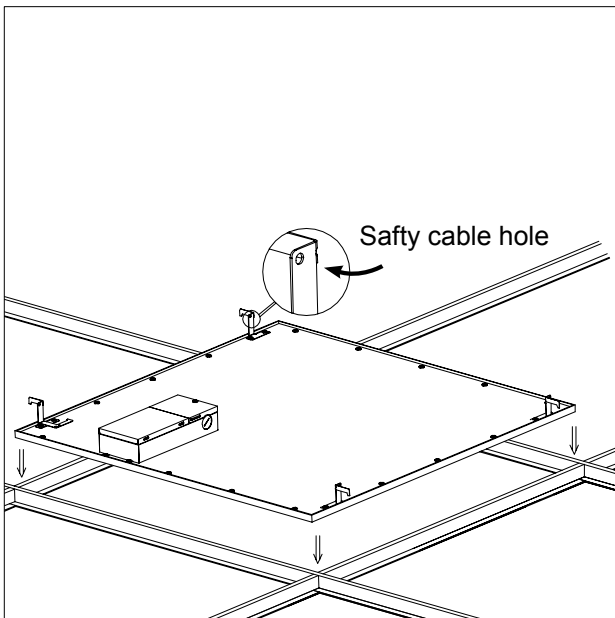


4. Lift up mounting clips on the sides of the luminaire. You can do it by hand (Do wear work gloves) or use pliers.



5. Insert luminaire into T-bar ceiling grid. Secure safety cable to connection hole as needed to meet local seismic requirements. Safety cable and method of attachment to the building provided by contractor according to local building codes.

6. Place FHSCP-UNV on the top of luminaire with suitable position (Do not drill any holes in luminaire). Attach flexible conduit to luminaire via the knockouts in LED driver.

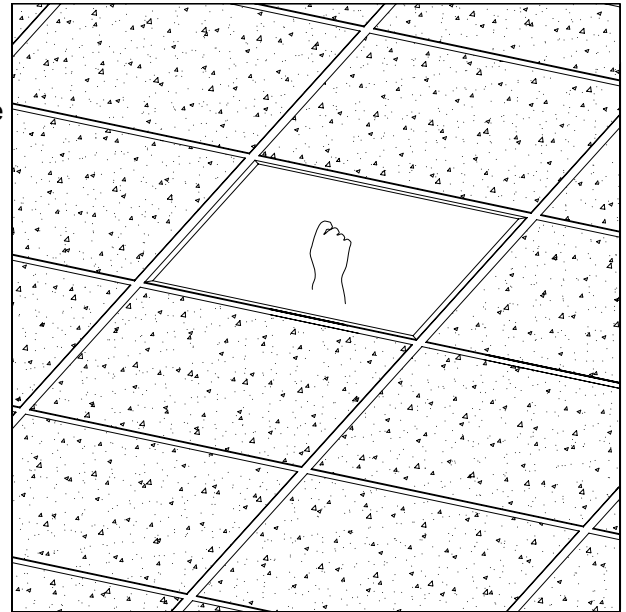
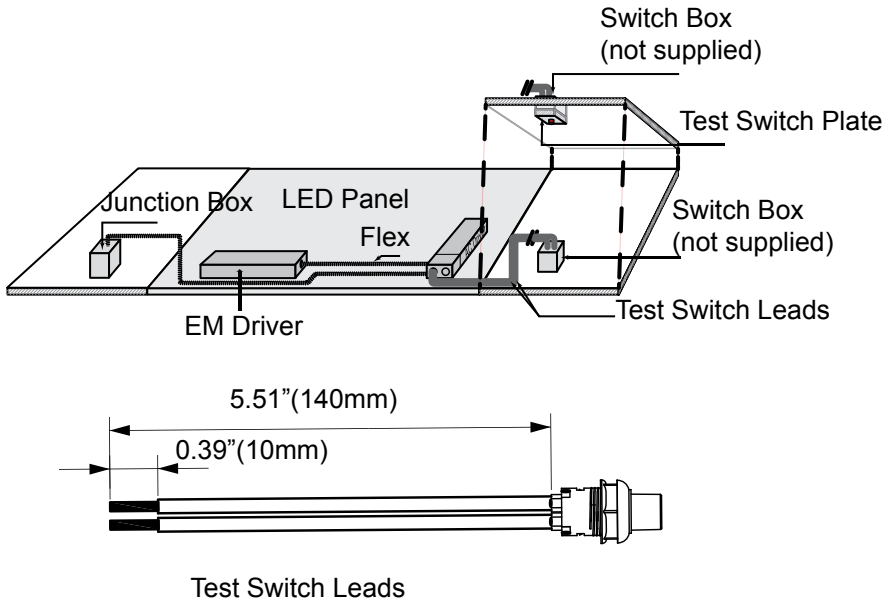


*Purchased by customers if need, can consult sales about the suggested model number.



7. Install the LED COMBO TEST SWITCH(LCTS) as below figure. Please do not drill any holes in luminaire and select a convenient location to install the test switch.

8. Please check if the flat panel has been fixed in the ceiling channel.



OPERATION

Normal Mode - AC power is present. The AC LED Driver operates the LED lamp(s) as intended. The LCTS will be illuminated indicating that the FHSCP-UNV is in the standby charging mode.

Emergency Mode - AC power fails. The FHSCP-UNV senses the AC power failure and automatically switches to Emergency Mode. One or multiple LED lamps will be illuminated for a minimum of 90 minutes. When AC power is restored, the FHSCP-UNV switches the system back to the Normal Mode and resumes battery charging.

TESTING AND MAINTENANCE

Pressing the LCTS simulates an AC power failure and forces the system into the Emergency Mode. Only the emergency LED lamp (s) will be illuminated. Testing may also be performed by opening circuit breaker powering the system.

Initial Testing - Allow the unit to charge for approximately 1 hour, then press the LCTS to conduct a short test. Allow a 24 hour charge before conducting a 1½ hour test.

Monthly - Insure that the LCTS is illuminated. Conduct a 30 second test by depressing the LCTS

Annually - Insure that the LCTS is illuminated. Conduct a 1½ hour test by opening circuit breaker controlling the FHSCP-UNV unit(s) to be tested.

“Written records of testing shall be kept on file for inspection by the authority having jurisdiction.”