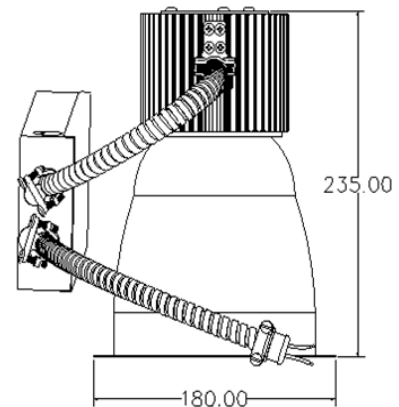


LED COMMERCIAL DOWNLIGHT RETROFIT KIT 6" & 8"



PRODUCT DESCRIPTION

The Above All commercial-grade LED Recessed Downlight Retrofit comes standard with a quick connect-case and conduit to make an easy connection to an existing recessed fixture frame junction box, snap in style eliminates the need to use a nut on the inside of the box making the installation time very quick. It is suitable for dry and damp locations.



SPECIFICATION

6 Inch	8 Inch
Depth: 235mm / 9.25"	Depth: 265mm / 10.43"
Diameter: 180mm / 7.09"	Diameter: 230mm / 9.06"
Max. Weight: 4.59 lbs	Max. Weight: 4.92 lbs

Ordering Information

Example: DL3030-6

Downlight	Watts	CCT	Dimension
DL	30 - 30 Watts	30 - 3000K	6 - 6"
	40 - 40 Watts		8 - 8"

Notice:

1. Standard Finish as Silver.
2. Special Order as other finish color - Ask Customer Service for Details

PERFORMANCE DATA

LUMEN OUTPUT

Lumen values are measured by third party certified laboratories performed in accordance with IESNA LM-79-08 as well as Lighting Facts listed.

Watts	Lumen Output	AC Input 120V	Measured Watts	CRI	Dist. Type	LPW
30W	2290	0.28A	30W	>80	N/A	80
40W	3305	0.37A	40W	>80		80

Projected LED Lumen Maintenance

Data references the extrapolated performance projections for the LED downlight in a 77°F ambient, (tested per IESNA LM-80-08 and projected per IESNA TM-21-11).

Lumen Ambient Temperature (LAT) Multipliers

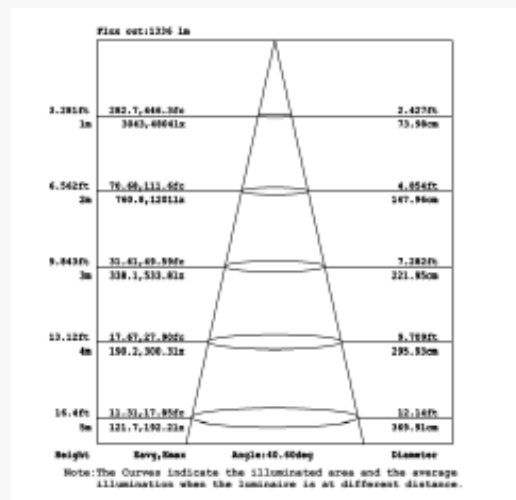
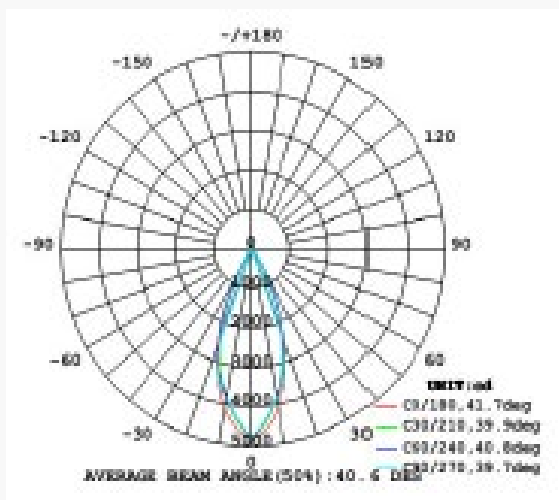
Use these factors to determine relative lumen output for average ambient temperature from -4-104°F (-20-40°C)

Ambient		Multiplier
Celsius	Fahrenheit	
0	32	1.02
10	50	1.01
20	68	1.00
25	77	1.00
30	86	1.00
40	104	0.99

Operating Hours	0	1,000	6,000	10,000	35,000
	Lumen Maintenance Factor	1.0	0.98(L98)	0.96(L96)	0.92(L92)

Photometry

All published luminaire photometric testing performed to IESNA LM-79-08 standards by a NVLAP certified laboratory.



PRODUCT SPECIFICATIONS

ELECTRICAL SYSTEM

- Input Voltage: 120-277V
- 50/60Hz
- 0-10V dimmable
- Class 1 drivers
- Minimum ambient -20°C, maximum ambient 40°C
- Power Factor: > 0.95 at full load
- Total Harmonic Distortion: < 20% at full load
- To address inrush current, slow blow fuse or type C/D breaker should be used

System Wattage	Max THD (%)	Power Factor	Power Efficiency	Replacement
30W	20	>0.9	90%	100W HID
40W	20	>0.9	90%	150W HID

Ref#: AB100724-20502

CERTIFICATIONS AND QUALIFICATIONS

- CETLus
- Suitable for damp locations
- Energy Star
- RoHS compliant

Warranty

Five year limited warranty. Full warranty terms located at www.abovealllighting.com/warrantystatements

Note: Specifications subject to change without notice.