

# LED COMMERCIAL DOWNLIGHT RETROFIT KIT 6"

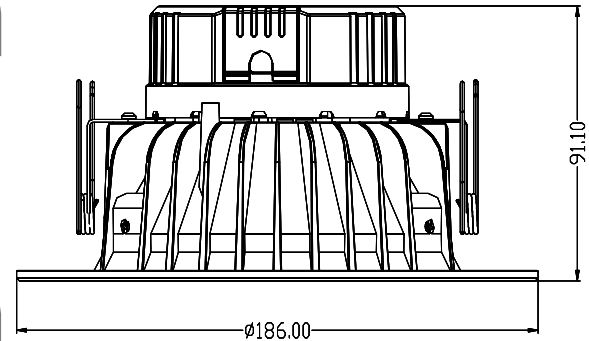


## PRODUCT DESCRIPTION

LED down light is suitable for dry and damp location. Uniform light, fast response, high CRI, exceptional quality. Compatible with most residential and commercial dimmers. Comfortable diffused light. Retrofit E26 base and connector are available.

## SPECIFICATION

Depth: 91.1mm / 3.59"  
 Diameter: 186mm / 7.30"  
 Max. Weight: 1.1 lbs



## Ordering Information

**Example: DL1530-6**

Downlight	Watts	CCT	Dimension
DL	15 - 15 Watts	30 - 3000K	6 - 6"

**Notice:**

1. Standard Finish as White.
2. Special Order as other finish color - Ask Customer Service for Details

## PERFORMANCE DATA

### LUMEN OUTPUT

Lumen values are measured by third party certified laboratories performed in accordance with IESNA LM-79-08 as well as Lighting Facts listed.

Watts	Lumen Output	AC Input 120V	Measured Watts	CRI	Dist. Type	LPW
15W	1100	0.14A	15W	>80	N/A	75

### Lumen Ambient Temperature (LAT) Multipliers

Use these factors to determine relative lumen output for average ambient temperature from -4-104°F (-20-40°C)

Ambient		Multiplier
Celsius	Fahrenheit	
0	32	1.02
10	50	1.01
20	68	1.00
25	77	1.00
30	86	1.00
40	104	0.99

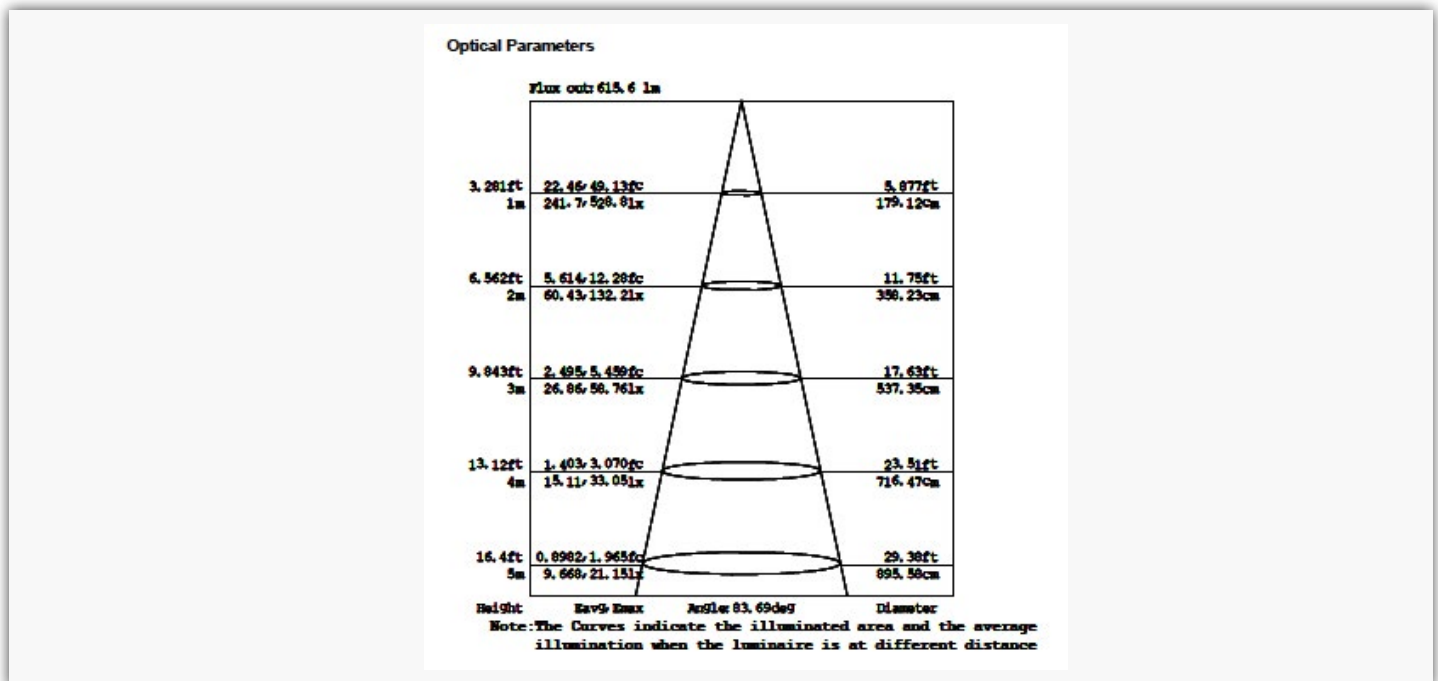
### Projected LED Lumen Maintenance

Data references the extrapolated performance projections for the LED downlight in a 77°F ambient, (tested per IESNA LM-80-08 and projected per IESNA TM-21-11).

Operating Hours	0	1,000	6,000	10,000	35,000
	Lumen Maintenance Factor	1.0	0.98(L98)	0.96(L96)	0.92(L92)

### Photometry

All published luminaire photometric testing performed to IESNA LM-79-08 standards by a NVLAP certified laboratory.



## PRODUCT SPECIFICATIONS

### ELECTRICAL SYSTEM

- Input Voltage: 120V
- 50/60Hz
- Triac dimmable
- Class 1 drivers
- Minimum ambient -20°C, maximum ambient 40°C
- Power Factor: > 0.95 at full load
- Total Harmonic Distortion: < 20% at full load
- To address inrush current, slow blow fuse or type C/D breaker should be used

System Wattage	Max THD (%)	Power Factor	Power Efficiency	Replacement
15W	20	>0.9	90%	75W incandescent

Ref#: AB100714-20502

### CERTIFICATIONS AND QUALIFICATIONS

- CETLus
- Suitable for damp locations
- Energy Star
- RoHS compliant

### Warranty

Five year limited warranty. Full warranty terms located at [www.abovealllighting.com/warrantystatements](http://www.abovealllighting.com/warrantystatements)

**Note:** Specifications subject to change without notice.