

LED COMMERCIAL DOWNLIGHT RETROFIT KIT 5"

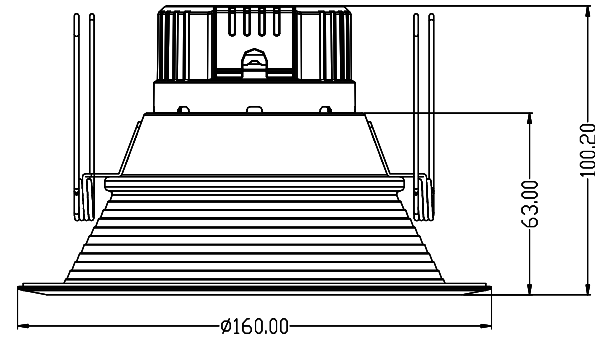


PRODUCT DESCRIPTION

LED down light is suitable for dry and damp location. Uniform light, fast response, high CRI, exceptional quality. Compatible with most residential and commercial dimmers. Comfortable diffused light. Retrofit E26 base and connector are available. Easy installation and convenient to use.

SPECIFICATION

Depth: 100.2mm / 3.95"
Diameter: 160mm / 6.30"
Max. Weight: 0.46 lbs



Ordering Information

Example: DL1030-5

Downlight	Watts	CCT	Dimension
DL	10 - 10 Watts	30 - 3000K	5 - 5"

Notice:

1. Standard Finish as White.
2. Special Order as other finish color - Ask Customer Service for Details

PERFORMANCE DATA

LUMEN OUTPUT

Lumen values are measured by third party certified laboratories performed in accordance with IESNA LM-79-08 as well as Lighting Facts listed.

Lumen Ambient Temperature (LAT) Multipliers

Use these factors to determine relative lumen output for average ambient temperature from 4-104°F (-20-40°C)

Watts	Lumen Output	AC Input 120V	Measured Watts	CRI	Dist. Type	LPW
10W	798	0.09A	10W	>80	N/A	88

Ambient		Multiplier
Celsius	Fahrenheit	
0	32	1.02
10	50	1.01
20	68	1.00
25	77	1.00
30	86	1.00
40	104	0.99

Projected LED Lumen Maintenance

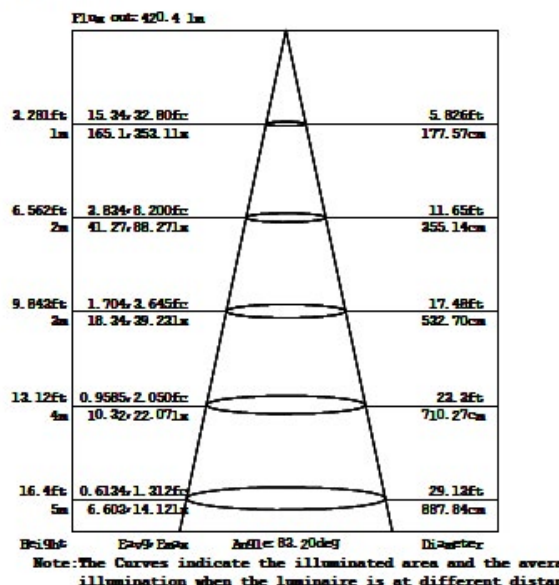
Data references the extrapolated performance projections for the LED downlight in a 77°F ambient, (tested per IESNA LM-80-08 and projected per IESNA TM-21-11).

Operating Hours	0	1,000	6,000	10,000	35,000
	Lumen Maintenance Factor	1.0	0.98(L98)	0.96(L96)	0.92(L92)

Photometry

All published luminaire photometric testing performed to IESNA LM-79-08 standards by a NVLAP certified laboratory.

Optical Parameters



PRODUCT SPECIFICATIONS

ELECTRICAL SYSTEM

- Input Voltage: 120V
- 50/60Hz
- Triac dimmable
- Class 1 drivers
- Minimum ambient -20°C, maximum ambient 40°C
- Power Factor: > 0.98 at full load
- Total Harmonic Distortion: < 20% at full load
- To address inrush current, slow blow fuse or type C/D breaker should be used

System Wattage	Max THD (%)	Power Factor	Power Efficiency	Replacement
10W	20	>0.9	90%	50W incandescent

Ref#: AB100704-20502

CERTIFICATIONS AND QUALIFICATIONS

- CETLus
- Suitable for damp locations
- Energy Star
- RoHS compliant

Warranty

Five year limited warranty. Full warranty terms located at www.abovealllighting.com/warrantystatements

Note: Specifications subject to change without notice.