



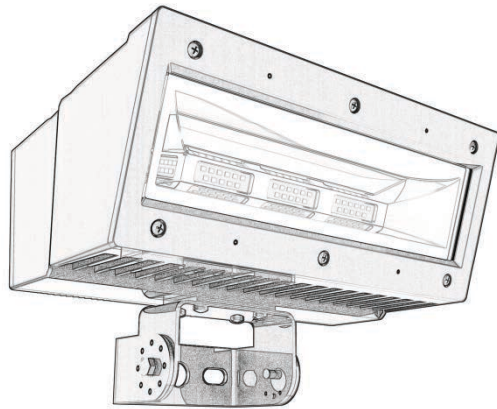
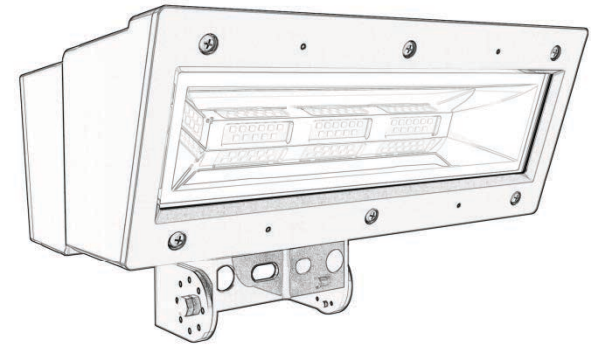
ABOVE ALL

www.AboveAllLighting.com



V-LINE FLOOD LIGHT

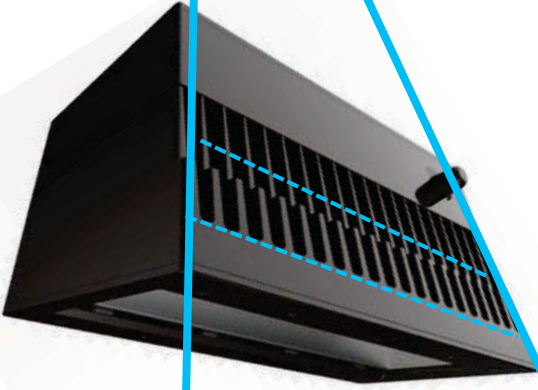
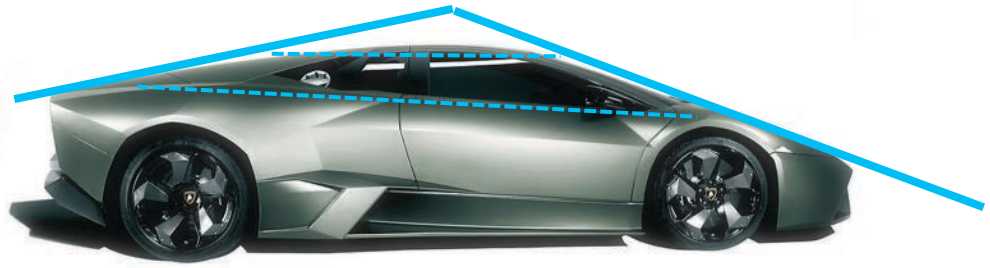
V-line born in combination of
SUV and sports car.





ABOVE ALL

www.AboveAllLighting.com

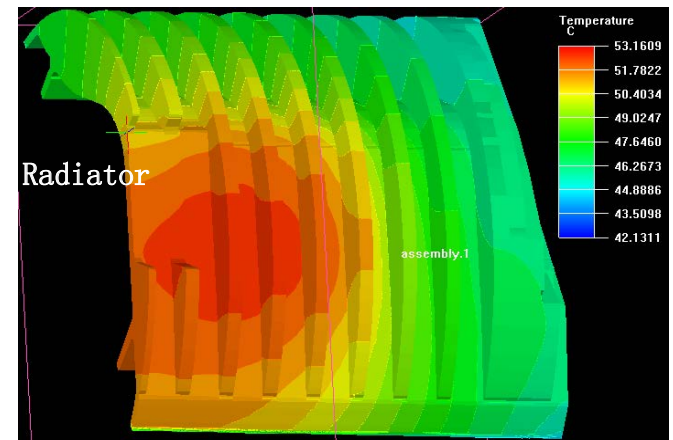
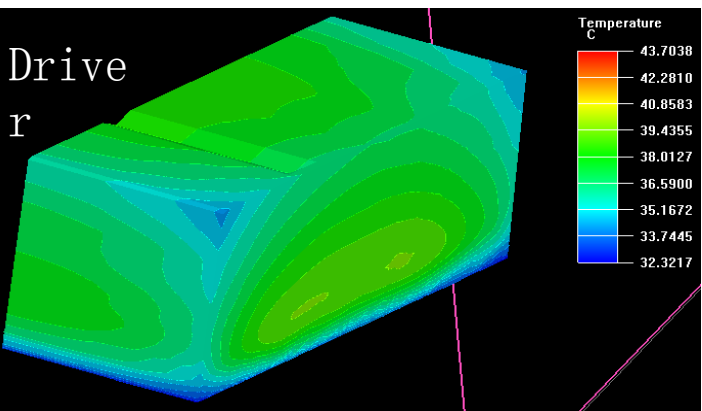
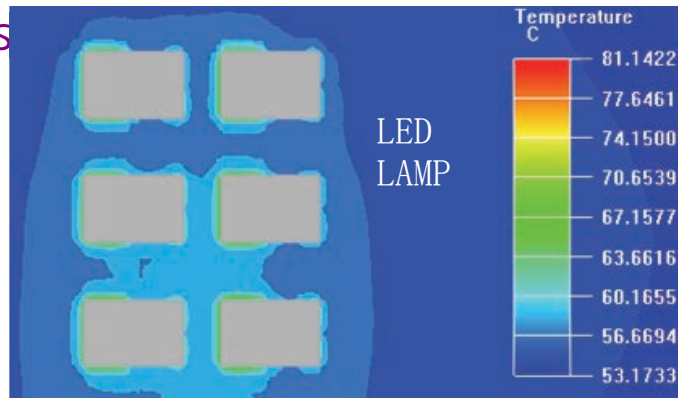


Air cooling

L70 Life > 100,000 hours at 40°C.
 Driver Life > 100,000 hours at 40°C.

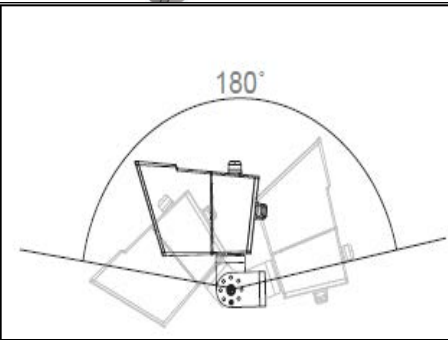


Thermal Simulation Analysis



Features & Benefits

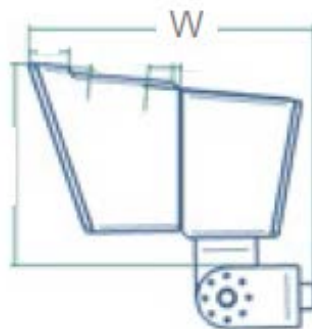
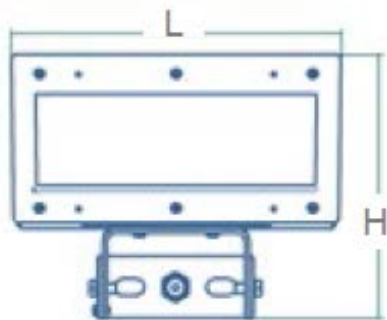
- ✓ Adjustable mounting options allow for precise aiming
- ✓ **DLC Premium listed**
- ✓ Photo control optional for more energy saving
- ✓ Architectural design
- ✓ Heavy duty construction and IP65 rated
- ✓ Versatile mounting options
- ✓ **10years** limited warranty under the ambient of -40 to 104°F
- ✓ Maintenance free



Technical Info.



Model NO.	Wattage	Lumens	Beam Angle	Dimming Features	L70 Life (25°C)	LPW
FL26501	26	3035	85	1-10V	109,000	117
FL38501	38	5000	84	1-10V	109,000	132
FL52501	52	6655	86	1-10V	109,000	130
FL70501	80	9760	84	1-10V	109,000	122
FL100501	100	12000	82	1-10V	109,000	120
FL120501	120	14400	85	1-10V	109,000	120



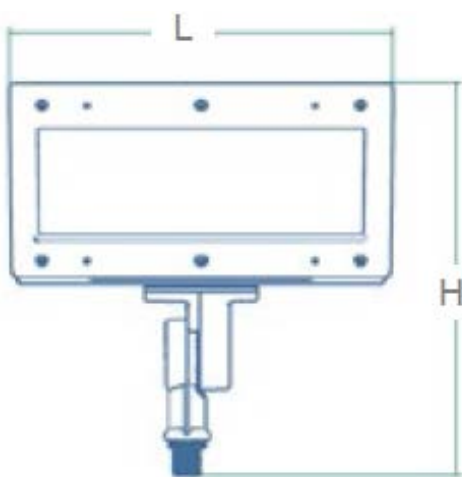
26W, 38W, 52W Trunion

Length: 10.63"(270mm)

Width: 9.17"(233mm)

Height: 8.47"(215mm)

Max. Weight: 12.5 lbs



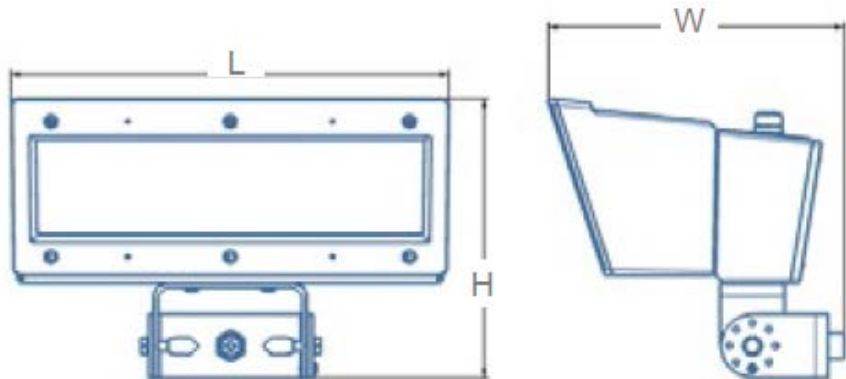
26W, 38W, 52W Knuckle

Length: 10.63"(270mm)

Width: 8.85"(225mm)

Height: 10.35"(263mm)

Max. Weight: 14 lbs



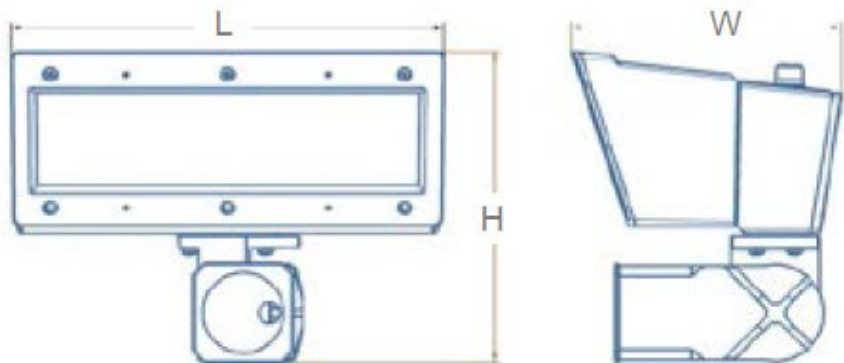
80W, 100W & 120W Trunnion

Length: 13.46"(342mm)

Width: 9.09"(231mm)

Height: 8.47"(215mm)

Max. Weight: 16.1 lbs



80W, 100W & 120W Slip Fitter

Length: 13.46"(342mm)

Width: 8.39"(210mm)

Height: 9.69"(246mm)

Max. Weight: 17.3 lbs

Multiple Mounting & Accessories



Slip Fitter



1/2" knuckle is only for 26W,
38W, and 52W



Trunnion

Glare Shield(Order Separately)



Glare shield-S1
3.5"Height, Suitable for V-line
flood light 26W/38W/52W



Glare shield-L1
3.5"Height, Suitable for V-line
flood light 80W/100W/120W



ABOVE ALL

www.AboveAllLighting.com

Thank you!